

TITLE 17. TRANSPORTATION

CHAPTER 6. DEPARTMENT OF TRANSPORTATION
OVERSIZE AND OVERWEIGHT SPECIAL PERMITS

Editor's Note: 17 A.A.C. 6, consisting of Articles 1 through 5, made by final rulemaking at 9 A.A.R. 665, effective April 8, 2003 (Supp. 03-1).

ARTICLE 1. GENERAL PROVISIONS

Article 1, consisting of Sections R17-6-101 through R17-6-112, made by final rulemaking at 9 A.A.R. 665, effective April 8, 2003 (Supp. 03-1).

| | |
|------------|-------------------------------------------------------------------------------|
| Section | |
| R17-6-101. | General Provision; Definitions; Time of Day |
| R17-6-102. | Threshold Dimensions; Special Permit Exemptions |
| Table 1. | Threshold Dimensions |
| R17-6-103. | General Application Procedure for Special Permits |
| R17-6-104. | Additional Special Permit Requirements and Restrictions; Engineering Analysis |
| R17-6-105. | Special Permit Limitation |
| R17-6-106. | Special Permit Extension |
| R17-6-107. | Special Permit Confiscation |
| R17-6-108. | Traffic Control Plan |
| R17-6-109. | Special Permit Denial |
| R17-6-110. | Liability |
| R17-6-111. | Administrative Hearing |
| R17-6-112. | Emergency Operation Provision |
| R17-6-113. | Electronic Access to Local Permit Ordinances and Rules |

ARTICLE 2. SPECIAL PERMIT CLASSES AND FEES

Article 2, consisting of Sections R17-6-201 through R17-6-210, made by final rulemaking at 9 A.A.R. 665, effective April 8, 2003 (Supp. 03-1).

| | |
|------------|-----------------------------------------------------------------------------------------------------------------------------|
| Section | |
| R17-6-201. | Class A Oversize and Overweight Special Permits - Specified Non-reducible Vehicle, Load, or Combination |
| R17-6-202. | Class B Oversize Special Permit - Specified Non-reducible Vehicle and Load Combination |
| R17-6-203. | Class B - Type R Oversize Recreational Vehicle Special Permit - Commercial Transport |
| R17-6-204. | Class C Oversize and Overweight Special Permits - Specified Non-reducible Vehicle, Load, or Combination Over Class A Limits |
| R17-6-205. | Class D Oversize and Overweight Special Permit - Self-propelled Mobile Crane, Drilling Rig, or Similar Specialty Equipment |
| R17-6-206. | Class E Oversize and Overweight Special Permits - Reducible Multiple Trailer LCVs |
| Table 2. | Class E LCV Special Permit and Issuance Criteria |
| R17-6-207. | Repealed |
| R17-6-208. | Class G Overwidth Special Permits - Specified Vehicle or Combination with Reducible Load Over Legal Width |
| R17-6-209. | Class H Overwidth Special Permit - Specified Vehicle and Watercraft Load Combination |
| R17-6-210. | Envelope Permits - Non-specific and Non-reducible Vehicle or Load |
| R17-6-211. | Western Regional Permit |
| R17-6-212. | Class C Overweight, or Oversize and Overweight, Special Permit - Tridem Axle Group Configurations |
| Table 6. | Class C Overweight, or Oversize and Overweight, Special Permit Routes and Restrictions for Tridem Axle Group Configurations |

| | |
|----------|-------------------------------------------------------------------------|
| Table 7. | Maximum Permitted Weight Computations: Tridem Axle Group Configurations |
|----------|-------------------------------------------------------------------------|

ARTICLE 3. SAFETY REQUIREMENTS

Article 3, consisting of Sections R17-6-301 through R17-6-308, made by final rulemaking at 9 A.A.R. 665, effective April 8, 2003 (Supp. 03-1).

| | |
|------------|------------------------------------------------------------------------------------|
| Section | |
| R17-6-301. | General Safety Requirements |
| R17-6-302. | Warning Flag Requirements |
| Ill. 1. | Warning Flag Configurations |
| R17-6-303. | Sign Requirements |
| Ill. 2. | "OVERSIZE LOAD" Sign |
| R17-6-304. | Lighting Device Requirements |
| Ill. 4. | Safety Lighting Configurations |
| R17-6-305. | Escort Vehicles |
| R17-6-306. | Traffic Control Provisions |
| R17-6-307. | Projecting Load or Vehicle |
| R17-6-308. | Permittee or Driver Obligation to Notify Utility Companies of Overheight Transport |

ARTICLE 4. TRANSPORT PROVISIONS

Article 4, consisting of Sections R17-6-401 through R17-6-412, made by final rulemaking at 9 A.A.R. 665, effective April 8, 2003 (Supp. 03-1).

| | |
|-------------|-------------------------------------------------------------------------|
| Section | |
| R17-6-401. | General Highway Operations |
| R17-6-402. | Speed Restriction |
| R17-6-403. | Weather Restrictions; Hazardous Conditions |
| R17-6-404. | Metropolitan Curfew Transport Restriction |
| R17-6-405. | Weekend Transport Allowance |
| R17-6-406. | Holiday Transport Restriction |
| R17-6-407. | Route-specific and Permit-specific Transport Restrictions |
| R17-6-408. | Continuous Travel |
| R17-6-409. | Night Transport Restriction |
| R17-6-410. | Special Mobile Home Towing Restriction |
| R17-6-411. | Maximum Permitted Weights |
| Table 3.01. | Maximum Permitted Weight Computations: Axle Width - 8 feet |
| Table 3.02. | Maximum Permitted Weight Computations: Axle Width - 8 feet 3 inches |
| Table 3.03. | Maximum Permitted Weight Computations: Axle Width - 8 feet 6 inches |
| Table 3.04. | Maximum Permitted Weight Computations: Axle Width - 8 feet 9 inches |
| Table 3.05. | Maximum Permitted Weight Computations: Axle Width - 9 feet |
| Table 3.06. | Maximum Permitted Weight Computations: Axle Width - 9 feet 3 inches |
| Table 3.07. | Maximum Permitted Weight Computations: Axle Width - 9 feet 6 inches |
| Table 3.08. | Maximum Permitted Weight Computations: Axle Width - 9 feet 9 inches |
| Table 3.09. | Maximum Permitted Weight Computations: Axle Width - 10 feet |
| Ill. 3. | Overweight Axle Groups |
| R17-6-412. | Highway-specific Restrictions, Requirements, Conditions, and Allowances |

| | |
|------------|--------------------------------------------------------------------------|
| Table 4. | Permanent Highway Restrictions, Requirements, Conditions, and Allowances |
| R17-6-413. | Page-Lake Powell Area Houseboat Transport Provisions |
| Table 5. | Page-Lake Powell Area Highways |
| R17-6-414. | Lake-specific Weekend and Holiday Transport Exception |
| R17-6-415. | Emergency Expired |

ARTICLE 5. ENVELOPE PERMIT SPECIAL PROVISIONS

Article 5, consisting of Sections R17-6-501 through R17-6-505, made by final rulemaking at 9 A.A.R. 665, effective April 8, 2003 (Supp. 03-1).

Section

| | |
|------------|---------------------------------------------------------------|
| R17-6-501. | Envelope Permit Required Recordkeeping |
| R17-6-502. | Envelope Permit Suspension Point System |
| R17-6-503. | Envelope Permit Suspension; Revocation; Enforcement |
| R17-6-504. | Notice of Point Assessment, Denial, Suspension, or Revocation |
| R17-6-505. | Envelope Permit Reapplication |
| R17-6-506. | Page-Lake Powell Area Houseboat Hauling Envelope Permit |

ARTICLE 1. GENERAL PROVISIONS

Article 1, consisting of Sections R17-6-101 through R17-6-112, made by final rulemaking at 9 A.A.R. 665, effective April 8, 2003 (Supp. 03-1).

R17-6-101. General Provision; Definitions; Time of Day

- A. General Provision.** The Department shall issue and regulate oversize and overweight special permits as provided under this Chapter. The Department implements these Sections under authority of A.R.S. §§ 28-366, 28-1103, 28-1104, and 28-7045, in collaboration with the Overdimensional Permit Council as prescribed under A.R.S. § 28-1150.
- B. Definitions.** In addition to the definitions prescribed under A.R.S. §§ 28-101 and 28-601, the following terms apply to this Chapter:

“AASHTO” means the American Association of State Highway Transportation Officials.

“ADOT” means the Arizona Department of Transportation.

“Applicant” means a person or entity seeking to obtain a special permit or envelope permit from the Department under A.R.S. Title 28, Chapter 3, Article 18 or 19, and this Chapter.

“Appurtenance” means any not readily removable manufacturer-installed or dealer-installed fixture attached to a vehicle or load that increases a peripheral dimension of the vehicle or load.

“Arizona Central Commercial Permits” means the statewide ADOT ECD office for oversize and overweight special permit applications and information:

1225 N. 25th Avenue
Phoenix, Arizona 85009
Voice line: (602) 712-8851
Facsimile: (602) 272-1887
Internet: www.azdot.gov/mvd/commercialenforcement/permrequest-forms.asp

“Cargo carrying unit” has the same meaning as prescribed under A.R.S. § 28-1103.

“Certified law enforcement officer” means a person who is an active duty Arizona peace officer standards and training board certified peace officer.

“Class C Maintenance Permit Services” means the statewide ADOT office for class C oversize and overweight special permit applications and information:

206 S. 17th Avenue, Mail Drop 004R
Phoenix, AZ 85007
Voice: (602) 712-8176 or (602) 712-8280
Fax: (602) 712-3380
Internet: www.azdot.gov

“Combination vehicle” has the same meaning as prescribed under A.R.S. § 28-101, “combination of vehicles,” but excludes a mobile home.

“Continuous travel” means to operate a vehicle continuously throughout any 24-hour period, except as provided under R17-6-404.

“ECD” means ADOT’s Enforcement and Compliance Division.

“Envelope” has the same meaning as prescribed under A.R.S. § 28-1141 encompassing the outermost dimensions of a load or vehicle as prescribed under A.R.S. § 28-1144, without exceeding the maximum permitted weight computations for overweight axle group weight distribution as provided under R17-6-411.

“Envelope permit” has the same meaning as prescribed under A.R.S. § 28-1141, which:

- Restricts the loads to non-reducible only,
- Allows unlimited trips within the permit’s validity period,
- Allows the permitted carrier unlimited load changes,
- Requires a transported load to meet envelope dimensional criteria,
- Restricts operation to certain routes, and
- Excludes the transporting of a mobile home.

“Established place of business” means a permanent site or location where an oversize or overweight special permit holder conducts business.

“Highway” has the same meaning as prescribed under A.R.S. § 28-101, “street” or “highway.”

“Highway feature” means a roadway, structure, traffic control device, right-of-way, or any item connected with highway travel.

“IFTA license” means an interstate user license issued by an applicant’s base jurisdiction for fuel tax purposes under the International Fuel Tax Agreement as provided under A.R.S. Title 28, Chapter 16, Article 2.

“Law enforcement escort” means a uniformed certified law enforcement officer in a fully marked patrol vehicle that accompanies an oversize or overweight special permitted vehicle.

“LCV” means longer combination vehicle, which has the same meaning as prescribed under 23 CFR 658.5.

“Legal weight” means within the maximum gross weight limitations prescribed under A.R.S. § 28-1100 and R17-6-102, Table 1.

“Mobile home” has the same meaning as prescribed under A.R.S. § 28-2001, which encompasses both a mobile home and a manufactured home as more specifically prescribed under A.R.S. § 41-2142.

Department of Transportation – Oversize and Overweight Special Permits

“Mountain Standard Time” means the standard time in Arizona as prescribed under 49 CFR 71 and A.R.S. § 1-242.

“Non-reducible load or vehicle” has the same meaning as prescribed under 23 CFR 658.5, “nondivisible load or vehicle.”

“Oversize” means a size of vehicle, combination of vehicles, or vehicle and load combination that exceeds a maximum size limitation provided under A.R.S. Title 28, Chapter 3, Article 18 or 19.

“Overweight” means a weight of vehicle, combination of vehicles, or vehicle and load combination that exceeds a maximum weight limitation provided under A.R.S. Title 28, Chapter 3, Article 18 or 19.

“Permittee” means a person or entity to whom the Department issues an oversize or overweight special permit or envelope permit under this Chapter, and who is responsible for meeting the obligations, responsibilities, and specifications indicated on the permit.

“Person” has the same meaning as prescribed under A.R.S. § 28-5201.

“Pounds per inch of tire width” means a measure of load restriction based on rated tire size, which is determined by dividing the weight carried by an axle group, in pounds, by the number of tires in the group and dividing that result by the manufacturer’s rated tire width indicated on the sidewall of the tire, or in the absence of sidewall marking, the load rating specified in any publication of an organization listed under 49 CFR 571.119, Federal Motor Carrier Safety Standard No. 119.

“Power unit” has the same meaning as prescribed under A.R.S. § 28-1141.

“Public weighmaster” has the same meaning as prescribed under A.R.S. § 41-2051.

“Special permit” means a document issued by the Department under A.R.S. § 28-1103, which authorizes the permittee to operate or transport an oversize, overweight, or oversize and overweight vehicle, combination of vehicles, or vehicle and load combination on a state highway, subject to the terms and conditions of the permit.

“Special permitted vehicle” means the vehicle, combination of vehicles, or vehicle and load combination described to the Department, as required under A.R.S. § 28-1104, on application for a special permit.

“Specified load” means the dimensions and weights a special permit applicant declares to the Department, as provided under A.R.S. § 28-1104, regarding any item or series of items to be transported throughout an entire permit period.

“Sunrise” and “sunset” have the same meaning and daily calculation as prescribed by the United States Naval Observatory (USNO), which:

The Department uses to determine normal permit transport start and stop times as provided under R17-6-401; and

An interested person may access on the Internet from the USNO at <http://aa.usno.navy.mil>, or in hard copy format from the Arizona Central Commercial Permits office.

“Tandem axle” has the same meaning as prescribed under A.R.S. § 28-1100(B).

“TI” means traffic interchange, which is a junction of roadways arranged to allow for the free flow of traffic uninter-

rupted by crossing traffic routed over or under the main roadway.

“Tridem axle” means any three consecutive axles whose extreme centers are not more than 144 inches apart and are individually attached to, or articulated from, a common attachment to the vehicle, including a connecting mechanism designed to equalize the load between axles.

“USDOT number” means the motor carrier identification number, assigned to a company by the U.S. Department of Transportation’s Federal Motor Carrier Safety Administration, preceded by the letters USDOT.

“UX” means a temporary highway or route segment designated by the Department as:

A segment of highway no longer part of the mainline U.S. system of highways, but still owned and maintained by the Department; or

A portion of a U.S. Route affected by mining operations and subject to realignment by the mining company as the mine expands operations.

“Watercraft” has the same meaning as prescribed under A.R.S. § 5-301 that is properly registered with the Arizona Game and Fish Department or the U.S. Coast Guard.

- C. Time of Day. In this Chapter, a time of day prescribed is Mountain Standard Time as defined under subsection (B) except where a state highway traverses a tribal nation that adopts Daylight Saving Time under 49 CFR 71.2.

Historical Note

New Section made by final rulemaking at 9 A.A.R. 665, effective April 8, 2003 (Supp. 03-1). Amended by final rulemaking at 13 A.A.R. 866, effective March 6, 2007 (Supp. 07-1). Amended by final rulemaking at 19 A.A.R. 2486, effective September 7, 2013 (Supp. 13-3).

R17-6-102. Threshold Dimensions; Special Permit Exemptions

- A. Unless exempt under this Section or A.R.S. § 28-1091(C), § 28-1093(D), or § 28-1095(A)(6), a person shall obtain and carry an oversize or overweight special permit issued by the Department under this Chapter if transporting a vehicle or load exceeding any dimension provided under Table 1 on a state highway under the jurisdiction of the Department.
- B. A permittee and a driver of an oversize or overweight special permitted vehicle shall comply with all applicable:
1. Safety requirements provided under Article 3, and
 2. Transport provisions provided under Article 4.
- C. An oversize or overweight special permit is not required if crossing a state highway at a level grade and no highway structures are involved.
- D. An oversize or overweight special permit is not required for snow removal equipment operated by one of the following:
1. An Arizona state agency,
 2. An Arizona county,
 3. An Arizona city, or
 4. An Arizona municipality other than a city.
- E. The special permit exemption provided under subsection (D) applies only to snow removal equipment traveling on its own wheels and:
1. Operating for the purpose of clearing snow or ice,
 2. Traveling to a facility for repair, or
 3. Traveling to a location used for the purpose of loading or unloading de-icing materials.
- F. The operator of an oversize or overweight vehicle exempt from the special permit requirement under this Section shall

comply with all applicable safety requirements provided under Article 3 unless otherwise prescribed by statute.

effective April 8, 2003 (Supp. 03-1). Amended by final rulemaking at 19 A.A.R. 2486, effective September 7, 2013 (Supp. 13-3). Amended by final rulemaking at 19 A.A.R. 2486, effective September 7, 2013 (Supp. 13-3).

Historical Note

New Section made by final rulemaking at 9 A.A.R. 665,

Table 1. Threshold Dimensions

The Department shall issue an applicable class of special permit, as provided under Article 2, for each vehicle, or vehicle and load combination, exceeding any of the following maximum limits:

| Width (A.R.S. § 28-1093) | | |
|-------------------------------------------------------------------------------------------------------------------------------------------------|------------------------------------------------------------------------------------------------|--------------------------------------------------------------|
| Vehicles operating on the state highway system designated by the Transportation Board under A.R.S. § 28-304(B)(2) | 8' 6" (8' if the maximum width of the route is further restricted under R17-6-412, Table 4) | |
| Height (A.R.S. § 28-1094) | | |
| Vehicles operating on the state highway system designated by the Transportation Board under A.R.S. § 28-304(B)(2) | 14' (13' 6" if the maximum height of the route is further restricted under R17-6-412, Table 4) | |
| Length (A.R.S. §§ 28-1095 and 28-1097) | | |
| Straight trucks | | 40' |
| Truck tractor - semitrailer combination; or Truck tractor - semitrailer - forklift combination | Interstate system | 57' 6" semitrailer |
| Truck tractor - semitrailer combination; or Truck tractor - semitrailer - forklift combination | Other highways | 53' semitrailer; or 65' overall combination if more than 53' |
| Truck tractor - semitrailer - full trailer combination | | 28' 6" per trailer |
| Vehicle transporter combination | | 75' |
| Overhang | Front of vehicle Rear of vehicle or trailer | 3' 6' |
| Weight (A.R.S. § 28-1100) | | |
| Allowable weight shall be determined using the listed limits or the manufacturer's weight rating, whichever is less. | | |
| Single axle | | 20,000 lbs. |
| Tandem axle | | 34,000 lbs. |
| Steering axle | | 20,000 lbs. |
| Gross weight; five axles or more Maximum allowable axle group weights are computed using the formula prescribed under A.R.S. § 28-1100(A)(4) | | 80,000 lbs. |

Historical Note

New Table 1 made by final rulemaking at 9 A.A.R. 665, effective April 8, 2003 (Supp. 03-1). Amended by final rulemaking at 19 A.A.R. 2486, effective September 7, 2013 (Supp. 13-3).

R17-6-103. General Application Procedure for Special Permits

- A. Except as provided under subsections (E) and (F), an applicant shall apply to the Department using one of the following methods.
 - 1. For an oversize or overweight special permit:
 - a. Complete an oversize/overweight special permit application form, available on the Department's web site at www.azdot.gov, and fax, mail, or deliver the written application to the Arizona Central Commercial Permits office at the location provided under R17-6-101, or an Arizona port of entry identified by the Department on its Enforcement Compliance Division - Commercial Vehicle Enforcement Services web page; or
 - b. Complete and submit the oversize/overweight special permit application form online at www.azdot.gov or apply through the Department's electronic service provider if the appropriate permit is available for online purchase.
 - 2. For an envelope permit:
 - a. Complete an envelope permit application form, available on the Department's web site at www.azdot.gov, and fax, mail, or deliver the written

- b. Submit the written application form to an Arizona port of entry identified by the Department on its Enforcement Compliance Division - Commercial Vehicle Enforcement Services web page.
- B. Unless otherwise provided under this Chapter, an applicant for an oversize or overweight special permit or envelope permit shall provide to the Department, at the time of application, all applicable fees and information required by the Department for issuance of the appropriate class of permit, including:
 - 1. Company related information:
 - a. Name and address of the applicant's principal or established place of business;
 - b. Name, phone number, and email address of an official company representative; and
 - c. USDOT number;
 - 2. Power unit related information:
 - a. Vehicle make, body style, and year;
 - b. Vehicle identification number;
 - c. Unit number assigned;
 - d. License plate number; and
 - e. Base jurisdiction - state of registration;

Department of Transportation – Oversize and Overweight Special Permits

3. Vehicle and load combination related information:
 - a. Trailer plate number(s);
 - b. Total number of axles;
 - c. Overall gross weight;
 - d. Overall length, width, and height; and
 - e. Length of front and rear overhang if applicable;
 4. Load related information:
 - a. Specific load description;
 - b. State and federal routes requested;
 - c. Starting and ending location within the state;
 - d. If the load is overweight:
 - i. Axle spacing measurements,
 - ii. Axle width measurements,
 - iii. Number of tires per axle,
 - iv. Weight measurements per axle, and
 - v. Width of each tire;
 - e. If the load is a mobile home:
 - i. Complete serial number; and
 - ii. Evidence of payment of all applicable ad valorem taxes, as required under A.R.S. § 28-1104, in the form of a 504 tax clearance permit issued by the county in which the mobile home is currently located;
 5. Proof of valid registration that complies with the requirements of A.R.S. § 28-2153; and
 6. Proof of a valid IFTA license that complies with the requirements of A.R.S. § 28-5742 if applicable.
- C.** An applicant for an oversize or overweight special permit shall certify to the Department that all information provided on the application is true and correct.
- D.** An applicant requesting a special permit for transport of a self-propelled mobile crane, drilling rig, or similar specialty equipment shall additionally follow the application procedure provided under R17-6-205.
- E.** An applicant requesting a special permit for transport of a specific non-reducible vehicle and load combination with a dimension that exceeds a class A oversize and overweight special permit limitation provided under R17-6-201, or that exceeds the maximum permitted weight computations for overweight axle group weight distribution as provided under R17-6-411, shall follow the application procedures provided under R17-6-104 and R17-6-204.
- F.** An applicant requesting a special permit for transport of an LCV shall follow the application procedure provided under R17-6-206.
- Historical Note**
- New Section made by final rulemaking at 9 A.A.R. 665, effective April 8, 2003 (Supp. 03-1). Amended by final rulemaking at 19 A.A.R. 2486, effective September 7, 2013 (Supp. 13-3).
- R17-6-104. Additional Special Permit Requirements and Restrictions; Engineering Analysis**
- A.** To promote safe transport of oversize and overweight vehicles, or vehicle and load combinations, the Department's Class C Maintenance Permit Services section shall evaluate each class C special permit application to determine, on a case-by-case basis, whether additional permit requirements or restrictions are appropriate and necessary as a condition of permit approval. The Department's decision to require additional permit restrictions shall be based on its consideration of:
1. Bridge capacities;
 2. Load size and weight;
 3. Pavement stress;
 4. Road width, grade, and condition; and
 5. Traffic dynamics of the proposed route.
- B.** The Department shall require a special permit applicant to obtain an engineering analysis for transport of an overweight vehicle or vehicle and load combination:
1. Exceeding 250,000 pounds;
 2. Exceeding the maximum permitted weight computations for overweight axle group weight distribution as provided under R17-6-411; or
 3. Exceeding a bridge weight restriction provided under R17-6-412, Table 4.
- C.** If the Department requires an engineering analysis of a proposed route as a condition of permit approval, and is unable to dedicate the employee resources necessary to timely complete the required analysis, a special permit applicant may obtain an analysis prepared by a non-Department engineer at the applicant's own expense.
1. An engineer registered by the Arizona State Board of Technical Registration in structural or civil engineering, as prescribed under A.R.S. Title 32, Chapter 1, shall prepare an engineering analysis of the proposed route according to industry standards.
 2. The special permit applicant shall submit to the Department for review any engineering analysis prepared by a non-Department engineer.
 3. An engineering analysis prepared according to the following publications, available on the Department's web site at www.azdot.gov, complies with industry standards:
 - a. The most recently published edition of the AASHTO Manual for Bridge Evaluation, including all interims, standards, or guidelines;
 - b. The most recently published edition of the AASHTO Load and Resistance Factor Design (LRFD) - Bridge Design Specifications, including all interims, standards, or guidelines; and
 - c. The ADOT Bridge Load Rating Guidelines and Bridge Design Guidelines.
 4. The non-Department engineer shall certify that an applicant's overweight vehicle will not overstress or damage any element of:
 - a. A highway structure, or
 - b. Any other state property.
- D.** An applicant for a class C special permit shall submit to the Department, at the time of special permit application, all applicable fees required under R17-6-204 for preparation or review of an engineering analysis.
- E.** An applicant for a class C special permit may resubmit an engineering analysis approved by the Department within the previous 12 months if:
1. The size and weight of the applicant's vehicle and load are identical to the previously approved permit application;
 2. The segments of the applicant's proposed route are within the outer limits of the previously approved route; and
 3. The condition of the highway structure or other state property has not changed.
- F.** The Department shall conduct a separate review and approval process for each engineering analysis submitted under this Section.
- G.** If the applicant's engineering analysis shows that a highway structure will not support the overweight vehicle as requested, the Department shall deny the application for a class C special permit.
- H.** If the Department determines a potential traffic safety risk exists, a class C special permit applicant shall submit to the Department a comprehensive traffic control plan as provided under R17-6-108.

- I. The Department of Transportation, the Department of Public Safety, or any other law enforcement entity lawfully authorized to provide certified weights may weigh a class C special permitted vehicle and load exceeding 250,000 pounds, or require the applicant to have the vehicle and load weighed as prescribed under A.R.S. § 28-1102.

Historical Note

New Section made by final rulemaking at 9 A.A.R. 665, effective April 8, 2003 (Supp. 03-1). Amended by final rulemaking at 19 A.A.R. 2486, effective September 7, 2013 (Supp. 13-3).

R17-6-105. Special Permit Limitation

The Department shall issue oversize and overweight special permits for state highways. A permittee shall apply separately with an applicable political subdivision or tribal nation for permission to operate on a county, municipal, or tribal route.

Historical Note

New Section made by final rulemaking at 9 A.A.R. 665, effective April 8, 2003 (Supp. 03-1). Amended by final rulemaking at 19 A.A.R. 2486, effective September 7, 2013 (Supp. 13-3).

R17-6-106. Special Permit Extension

- A. Upon request by a permittee, the Department shall authorize a one-time extension of up to four days for a single-trip special permit if:
1. The permittee needs to exchange a permitted vehicle for another due to mechanical failure, or
 2. Transport by the permitted vehicle is delayed by inclement weather.
- B. Except as provided under subsection (C), the special permit extension authorization under subsection (A) is administered:
1. By signature of an authorized ECD agent, or
 2. By telephone in an emergency situation after first contacting Arizona Central Commercial Permits or the Arizona port of entry closest to the affected area as listed on the Department's web site at www.azdot.gov.
- C. A special permit extension authorization for a class C special permit is administered only by Class C Maintenance Permit Services.
- D. A class C special permit extension request due to mechanical failure shall include:
1. A written statement from the repair facility, on company letterhead, referencing the necessary repairs; and
 2. Any new power unit and registration numbers, if applicable.

Historical Note

New Section made by final rulemaking at 9 A.A.R. 665, effective April 8, 2003 (Supp. 03-1). Amended by final rulemaking at 19 A.A.R. 2486, effective September 7, 2013 (Supp. 13-3).

R17-6-107. Special Permit Confiscation

- A. Except as provided under subsection (B), a peace officer designated by the Director under A.R.S. § 28-369 may confiscate an oversize or overweight special permit before its expiration date if the permittee or driver is cited for a violation of this Chapter or A.R.S. Title 28, Chapter 3, Article 18.
- B. The Director may suspend, revoke, and retrieve an envelope permit as provided under A.R.S. § 28-1147 and R17-6-503.

Historical Note

New Section made by final rulemaking at 9 A.A.R. 665, effective April 8, 2003 (Supp. 03-1). Amended by final rulemaking at 19 A.A.R. 2486, effective September 7, 2013 (Supp. 13-3).

R17-6-108. Traffic Control Plan

- A. To promote safe transport of oversize and overweight vehicles, or vehicle and load combinations, the Department shall evaluate each class C special permit application to determine, on a case-by-case basis, whether a potential traffic safety risk exists that may require a comprehensive traffic control plan as a condition of permit approval. The Department's decision to require a comprehensive traffic control plan shall be based on its consideration of:
1. Bridge capacities;
 2. Load size and weight;
 3. Pavement stress;
 4. Road width, grade, and condition; and
 5. Traffic dynamics of the proposed route.
- B. If the Department determines a potential traffic safety risk exists, a class C special permit applicant shall submit to Class C Maintenance Permit Services at the time of special permit application, a comprehensive traffic control plan prepared as follows:
1. Identify all roadway features located along the proposed route that may inhibit movement of the vehicle or vehicle and load combination;
 2. Identify all obstructions that may be subject to potential disturbance or damage;
 3. Specify how all structures, delineators, foliage, and official traffic control devices will be managed or avoided;
 4. Specify all available pullout points located along the proposed route listed by highway and milepost number;
 5. Specify how all side traffic will be managed;
 6. Specify the rate of speed at which the load will travel along the proposed route;
 7. Specify the approximate times when the load will be in transit; and
 8. Provide a contingency plan to be followed in the event of a breakdown.
- C. As a condition of class C special permit issuance, the Department may require an applicant to coordinate use of one or more law enforcement escorts as needed to ensure public safety while transporting a proposed load.

Historical Note

New Section made by final rulemaking at 9 A.A.R. 665, effective April 8, 2003 (Supp. 03-1). Amended by final rulemaking at 19 A.A.R. 2486, effective September 7, 2013 (Supp. 13-3).

R17-6-109. Special Permit Denial

- The Department shall deny an oversize or overweight special permit application, or revoke and confiscate a previously approved special permit, if:
1. The proposed transport route or a structure on the route is:
 - a. Unable to bear the size or weight of the transport vehicle and load according to the maximum permitted weight computations for overweight axle group weight distribution as provided under R17-6-411,
 - b. Under repair, or
 - c. Temporarily closed due to a hazardous condition listed under R17-6-403(B);
 2. An applicant for a permit to transport a mobile home does not provide written proof of ad valorem tax payment or clearance as required under A.R.S. § 28-1104; or
 3. The Department determines that the special permit applicant made a material misrepresentation or misstatement on the permit application or any other document submitted to the Department in support of the permit application.

Historical Note

New Section made by final rulemaking at 9 A.A.R. 665, effective April 8, 2003 (Supp. 03-1). Amended by final rulemaking at 19 A.A.R. 2486, effective September 7, 2013 (Supp. 13-3).

R17-6-110. Liability

A person who operates an oversize or overweight special permitted vehicle and a person who causes the vehicle to be operated shall be liable for any damage caused to a state highway by the oversize or overweight vehicle or load during transport as provided under A.R.S. § 28-1107.

Historical Note

New Section made by final rulemaking at 9 A.A.R. 665, effective April 8, 2003 (Supp. 03-1). Amended by final rulemaking at 19 A.A.R. 2486, effective September 7, 2013 (Supp. 13-3).

R17-6-111. Administrative Hearing

If the Department denies an oversize or overweight special permit application, or revokes and confiscates a previously issued special permit, the permittee may appeal the action using the procedure provided under 17 A.A.C. 1, Article 5.

Historical Note

New Section made by final rulemaking at 9 A.A.R. 665, effective April 8, 2003 (Supp. 03-1). Amended by final rulemaking at 19 A.A.R. 2486, effective September 7, 2013 (Supp. 13-3).

R17-6-112. Emergency Operation Provision

- A. In time of statewide or local emergency that affects public welfare or safety, according to general powers under A.R.S. §§ 28-363(A)(5) and 28-364(B), the Director may authorize transport of an oversize or overweight vehicle or load without a special permit for purposes of relief or repair.
- B. Authorization for emergency operation under this Section may be obtained by contacting the Arizona port of entry closest to the affected area as listed on the Department’s web site at www.azdot.gov.

Historical Note

New Section made by final rulemaking at 9 A.A.R. 665, effective April 8, 2003 (Supp. 03-1). Amended by final rulemaking at 19 A.A.R. 2486, effective September 7, 2013 (Supp. 13-3).

R17-6-113. Electronic Access to Local Permit Ordinances and Rules

- A. A local authority that issues oversize and overweight special permits under A.R.S. § 28-1103 and this Chapter shall make available, to the Department’s Arizona Central Commercial Permits office, an Internet web link to where the local authority’s current ordinances and rules relating to the excess size and weight special permits can be electronically accessed.
- B. The Department shall immediately post, to its web site at www.azdot.gov, each Internet web link provided by a local authority under subsection (A) and A.R.S. § 28-1103.

Historical Note

New Section made by final rulemaking at 13 A.A.R. 866, effective March 6, 2007 (Supp. 07-1). Amended by final rulemaking at 19 A.A.R. 2486, effective September 7, 2013 (Supp. 13-3).

ARTICLE 2. SPECIAL PERMIT CLASSES AND FEES

Article 2, consisting of Sections R17-6-201 through R17-6-210, made by final rulemaking at 9 A.A.R. 665, effective April 8, 2003 (Supp. 03-1).

R17-6-201. Class A Oversize and Overweight Special Permits - Specified Non-reducible Vehicle, Load, or Combination

- A. The Department shall issue a multiple or single trip class A oversize, overweight, or oversize and overweight special permit according to the following criteria for a specified non-reducible vehicle, combination of vehicles, or vehicle and load combination that exceeds a dimension provided under R17-6-102, Table 1, but does not exceed the maximum permitted weight computations for overweight axle group weight distribution as provided under R17-6-411, or any of the following maximum limits:

| | | |
|----------------------------------------------------------------------------------------------------------------------------------------|------------------------------------------------------------------------------------------------------------|--------------|
| Vehicle or load description | A non-reducible specified load over a threshold dimension provided under R17-6-102, Table 1, to a maximum: | |
| | Height | 16 feet |
| | Overall length | 120 feet |
| | Width | 14 feet |
| | Weight | 250,000 lbs. |
| Permit option | Single trip: 96-hour maximum | |
| | Multiple trip: 30-day maximum | |
| Standard permit fee for weight not exceeding 80,000 pounds (A.R.S. § 28-1105) | Single trip | \$15 |
| | Multiple trip | \$30 |
| Overweight permit fee for weight less than 250,000 pounds but that exceeds legal threshold under R17-6-102, Table 1 (A.R.S. § 28-1105) | Single trip | \$75 |
| | Multiple trip | \$75 |

- B. An applicant for a class A oversize, overweight, or oversize and overweight special permit shall apply to the Department and submit appropriate fees using the application procedure provided under R17-6-103.
- C. A permittee or driver of an oversize, overweight, or oversize and overweight vehicle, combination of vehicles, or vehicle and load combination shall not access a route listed under R17-6-412, Table 4, unless operating in full compliance with all indicated restrictions and requirements.

Historical Note

New Section made by final rulemaking at 9 A.A.R. 665, effective April 8, 2003 (Supp. 03-1). Amended by final rulemaking at 19 A.A.R. 2486, effective September 7, 2013 (Supp. 13-3).

R17-6-202. Class B Oversize Special Permit - Specified Non-reducible Vehicle and Load Combination

- A. The Department shall issue an annual class B oversize special permit according to the following criteria for multiple trips of a specified non-reducible vehicle and load combination that exceeds a dimension provided under R17-6-102, Table 1, but does not exceed the maximum permitted weight computations

for overweight axle group weight distribution as provided under R17-6-411 or any of the following maximum limits:

| | | |
|-----------------------------|-----------------------------------------------------------------------------------------------------------------------------------------------------------------------|------------------|
| Vehicle or load description | A non-reducible, specified vehicle and load combination (excluding cranes and drill rigs) over a threshold dimension provided under R17-6-102, Table 1, to a maximum: | |
| | Height | 14 feet 8 inches |
| | Overall length | 80 feet |
| | Width | 12 feet 6 inches |
| | Weight | 80,000 lbs. |
| Permit option | Multiple trip: one year | |
| Fee (A.R.S. § 28-1105) | \$360 | |

- B. An applicant for a class B oversize special permit shall apply to the Department and submit appropriate fees using the application procedure provided under R17-6-103.
- C. A permittee or driver of an oversize or overweight vehicle or load shall not access a route listed under R17-6-412, Table 4, unless operating in full compliance with all indicated restrictions and requirements.

Historical Note

New Section made by final rulemaking at 9 A.A.R. 665, effective April 8, 2003 (Supp. 03-1). Amended by final rulemaking at 19 A.A.R. 2486, effective September 7, 2013 (Supp. 13-3).

R17-6-203. Class B - Type R Oversize Recreational Vehicle Special Permit - Commercial Transport

- A. The Department shall issue an annual class B - Type R oversize special permit according to the following criteria for a commercial transporter of a recreational vehicle that exceeds the width threshold prescribed under A.R.S. § 28-1093 and R17-6-102, Table 1, but does not exceed the following maximum limit:

| | |
|-----------------------------|-------------------------------------------------------------------------------------------------------------------------------------------------------------------------------------------------------------------------|
| Vehicle or load description | A dealer, manufacturer, or transporter hauling or driving a recreational vehicle with appurtenances wider than 8 feet, 6 inches, on behalf of a dealer, manufacturer, or consumer |
| Permit option | For each original permit purchased, up to 24 additional copies of that permit may be issued, all of which are valid for unlimited use by an unlimited number of vehicles throughout a one-year period by the permittee. |
| Fee (A.R.S. § 28-1105) | \$360 per year |

- B. An applicant for a class B - Type R oversize special permit shall apply to the Department and submit appropriate fees using the application procedure provided under R17-6-103.
- C. A permittee or driver of an oversize or overweight vehicle or load shall not access a route listed under R17-6-412, Table 4, unless operating in full compliance with all indicated restrictions and requirements.

Historical Note

New Section made by final rulemaking at 9 A.A.R. 665, effective April 8, 2003 (Supp. 03-1). Amended by final

rulemaking at 19 A.A.R. 2486, effective September 7, 2013 (Supp. 13-3).

R17-6-204. Class C Oversize and Overweight Special Permits - Specified Non-reducible Vehicle, Load, or Combination Over Class A Limits

- A. The Department shall issue a single trip class C oversize, overweight, or oversize and overweight special permit according to the following criteria for a specified non-reducible vehicle, combination of vehicles, or vehicle and load combination that exceeds a dimension provided under R17-6-201 or as required under R17-6-307(B) and (C):

| | | |
|---------------------------------------------------------------------------------------------------------------------------------------------------------------------------------------------------------|-----------------------------------------------------------------------------------------------------------------------------------------------------------------------------------|-------------------------------------------------------------------------------------------------------------|
| Vehicle or load description | A non-reducible load that exceeds dimensions and weights of all other permit classes or when class C operation is proposed on a route further restricted under R17-6-412, Table 4 | |
| Permit option - requires pre-approval by Class C Maintenance Permit Services | Single trip only | Load shall be specifically described by the applicant as provided under subsection (C) and A.R.S. § 28-1104 |
| Standard permit fees (A.R.S. § 28-1105) | Oversize only Overweight only Oversize and overweight | \$15* \$75* \$75* |
| *In addition to the standard permit fees above, the Department shall collect the following class C review and analysis fee(s) as applicable to the applicant's proposed vehicle and load configuration: | | |
| Class C review and analysis fee (A.R.S. § 28-1103) | Height or width 18 feet or less | \$15 |
| | Height or width over 18 feet | \$25 |
| Engineering analysis (A.R.S. § 28-1103) | Prepared by non-ADOT engineer, and reviewed by ADOT engineer | \$75 per 50 mile increment of proposed route |
| | Prepared by ADOT engineer | \$125 per 50 mile increment of proposed route |

- B. An applicant for a class C oversize or overweight special permit shall:
 1. Complete a class C special permit application form provided by the Department and available online at www.azdot.gov;
 2. Submit the completed class C special permit application, including all information required under subsection (C) and all appropriate fees, to Class C Maintenance Permit Services as provided under R17-6-103, R17-6-104, and R17-6-108, as applicable;
 3. Contact all applicable utility and cable companies to verify adequate overhead cable and utility line clearances along the proposed route as required under R17-6-308;
 4. Obtain an encroachment permit in advance of the proposed transport as provided under 17 A.A.C. 3, Article 5, if constructing a fixed or temporary improvement within a state highway right-of-way, or for any activity requiring the temporary use of, or intrusion upon, a state highway right-of-way, including a median; and
 5. Provide or arrange for the use of additional traffic control devices appropriate for the proposed transport if the Department requires additional traffic control measures

Department of Transportation – Oversize and Overweight Special Permits

as a condition of permit approval. All additional traffic control devices shall conform to the manual and specifications adopted by the Department under A.R.S. § 28-641.

- C. A complete class C special permit application for transport of an oversize or overweight load shall:
 1. Indicate the starting and ending points of the proposed route;
 2. Document the specific overall dimensions of the vehicle with its specified load, to include:
 - a. Height,
 - b. Length, and
 - c. Width;
 3. Diagram the vehicle and specified load illustrating all of the following information:
 - a. Axle spacing;
 - b. Axle weight;
 - c. Axle width;
 - d. Tires per axle;
 - e. Tire width as designated by the manufacturer;
 - f. Maximum width to the outside of the axles, excluding any load-induced tire bulge; and
 - g. Load weight.
 4. Include a comprehensive traffic control plan as provided under R17-6-108 if the Department requires traffic control measures as a condition of permit approval;
 5. Indicate the estimated time needed to change out a power unit or other special equipment if the Department, through detailed analysis and as a condition of permit approval, requires the use of an additional power unit or other special equipment to ensure safe transport of the proposed load. The Department’s decision to require an additional power unit or other special equipment shall be based on its consideration of the:
 - a. Estimated timing involved with clearing a route after a breakdown;
 - b. Expected weather conditions;
 - c. Proximity and availability of reserve resources;
 - d. Size and weight of the load;
 - e. Traffic dynamics of the proposed route; and
 - f. Width, grade, and condition of the roads;
 6. Include proof of gross weight in the form of a public weighmaster’s certificate of weight and measure issued at a certified public scale if required by the Department after twice denying an application for incorrect weights;
 7. Include proof of valid registration that complies with the requirements of A.R.S. § 28-2153;
 8. Include proof of a valid IFTA license that complies with the requirements of A.R.S. § 28-5742, if applicable; and
 9. Include any other applicable requirement provided under R17-6-104.
- D. An applicant for a class C oversize or overweight special permit to transport a mobile home shall additionally submit to the Department all appropriate:
 1. Serial numbers assigned to the mobile home; and
 2. Evidence of payment of all applicable ad valorem taxes, as required under A.R.S. § 28-1104, in the form of a 504 tax clearance permit issued by the county in which the mobile home is currently located.
- E. A permittee or driver of an oversize or overweight vehicle or load shall not access a route listed under R17-6-412, Table 4, unless operating in full compliance with all indicated conditions and allowances.
- F. The Department shall require a class C special permit for an overweight vehicle or vehicle and load combination heavier than 250,000 pounds or that exceeds the maximum permitted

weight computations for overweight axle group weight distribution as provided under R17-6-411.

Historical Note

New Section made by final rulemaking at 9 A.A.R. 665, effective April 8, 2003 (Supp. 03-1). Amended by final rulemaking at 19 A.A.R. 2486, effective September 7, 2013 (Supp. 13-3).

R17-6-205. Class D Oversize and Overweight Special Permit - Self-propelled Mobile Crane, Drilling Rig, or Similar Specialty Equipment

- A. The Department shall issue an annual class D oversize or overweight special permit according to the following criteria for a specified non-reducible self-propelled mobile crane, drilling rig, or similar specialty equipment meeting the dimensional requirements provided under R17-6-201, without exceeding the maximum permitted weight computations for overweight axle group weight distribution as provided under R17-6-411:

| | |
|-----------------------------|--------------------------------------------------------------------------------------------------------------------------------------------|
| Vehicle or load description | A self-propelled mobile crane, drilling rig, or similar specialty equipment meeting the dimensional requirements provided under R17-6-201. |
| Permit option | Multiple trip: one year |
| Fee (A.R.S. § 28-1105) | \$600 per year |

- B. An applicant for a class D oversize or overweight special permit shall submit to the Department, with all appropriate fees, an application form provided by the Department that includes all of the following information:
 1. Specific dimensions of the vehicle and load combination, including:
 - a. A detailed description;
 - b. A detailed drawing that illustrates all of the following:
 - i. Axle spacing;
 - ii. Axle weight;
 - iii. Axle width;
 - iv. Tires per axle;
 - v. Tire width as designated by the manufacturer;
 - vi. Maximum width to the outside of the axles, excluding any load-induced tire bulge; and
 - vii. Load weight;
 - c. A detailed listing of all equipment to be included, such as counterweights, outriggers, boom position, position of boom dolly, etc.; and
 - d. A table of loads supplied by the manufacturer listing component and total weights;
 2. Proof of gross weight:
 - a. For an initial application, a public weighmaster’s certificate of weight and measure issued at a certified public scale once the vehicle is equipped and set for highway travel; or
 - b. For a renewal application, a certification by the applicant that no dimension has changed and the vehicle does not exceed the originally certified dimensions or weights;
 3. Proof of valid registration that complies with the requirements of A.R.S. § 28-2153;
 4. Proof of a valid IFTA license that complies with the requirements of A.R.S. § 28-5742 if applicable; and
 5. Documentation of any applicable encroachment permit obtained under 17 A.A.C. 3, Article 5, if the applicant must temporarily move any state-owned highway feature as part of a planned transport.

- C.** Conformance to all permit restrictions and vehicle certification is the sole responsibility of the applicant. Violation of the annual permit in size, weight, length, height, changing the boom position, dolly, or trailer position, or any other restriction stated on the permit shall render the permit invalid and no permit fee or portion thereof will be refunded. Annual permits are non-transferable and non-refundable.
- D.** A permittee or driver of an oversize or overweight vehicle or load shall not access a route listed under R17-6-412, Table 4, unless operating in full compliance with all indicated restrictions and requirements.

Historical Note

New Section made by final rulemaking at 9 A.A.R. 665, effective April 8, 2003 (Supp. 03-1). Amended by final rulemaking at 19 A.A.R. 2486, effective September 7, 2013 (Supp. 13-3).

R17-6-206. Class E Oversize and Overweight Special Permits - Reducible Multiple Trailer LCVs

- A.** The Department shall issue a class E oversize or overweight special permit according to the types and restrictions listed under Table 2 for transporting reducible loads using an LCV consisting of a truck or truck tractor and one or more trailers.
1. A person who operates, and a person who causes to be operated, an oversize or overweight special permitted vehicle shall be jointly responsible for meeting all permit requirements; and
 2. A person shall not operate any other trailer configuration or multiple trailer combination under the class E special permit, unless authorized by the Department and specifically indicated on the permit.
- B.** The Department shall issue a class E oversize or overweight special permit for an LCV only at the following state ports of entry:

1. Page,
 2. St. George, or
 3. Teec Nos Pos.
- C.** An applicant for a class E oversize or overweight special permit shall submit to the Department, with all appropriate fees, an application form provided by the Department that includes all of the following information:
1. Specific dimensions of the vehicle and load combination;
 2. Proof of valid registration that complies with the requirements of A.R.S. § 28-2153;
 3. Proof of a valid IFTA license that complies with the requirements of A.R.S. § 28-5742 if applicable; and
 4. Other information as needed by the Department to issue an appropriate permit, which includes:
 - a. Company name;
 - b. Company or terminal address;
 - c. Company USDOT #;
 - d. Company mailing address;
 - e. Company contact name, address, telephone number, and fax number or email address;
 - f. Company representative's name and title; and
 - g. Specific routes requested.
- D.** The operator of a class E special permitted LCV shall comply with A.R.S. § 28-1100(A)(4) and not exceed the maximum permitted weight computations for overweight axle group weight distribution as provided under R17-6-411 or any other applicable state highway restriction, condition, or allowance provided by the Department under R17-6-412, Table 4.

Historical Note

New Section made by final rulemaking at 9 A.A.R. 665, effective April 8, 2003 (Supp. 03-1). Amended by final rulemaking at 19 A.A.R. 2486, effective September 7, 2013 (Supp. 13-3).

Table 2. Class E LCV Special Permit and Issuance Criteria

| | |
|------------------------------------------------------------------------------------------------------------------------------------------------------------------------------------------------------------------------------------------------------------------------------------------------------------------------------------------------------------------------------------------------------------------------------------------------------------------------------------------------------------------------------------------------------------------------|--------------------------------------------------------------------------------------|
| <p>LCV Combination - Double Truck tractor and two trailing units (23 CFR 658, App. C); Truck and one full trailer (A.R.S. § 28-1103); or Truck tractor, semitrailer, and one full trailer (A.R.S. § 28-1103).</p> <p>LCV Combination – Triple* Truck tractor and three trailing units (23 CFR 658, App. C); Truck, semitrailer, and one full trailer (A.R.S. § 28-1103); or Truck and two trailers (A.R.S. § 28-1103).</p> | |
| Route | Locations Authorized for LCV Travel (A.R.S. § 28-1103 and 23 CFR 658, App. C) |
| I-15 | MP 0.00 (Nevada State Line) to MP 29.40 (Utah State Line) |
| State 98 | MP 294.67 (Junction US 89) to MP 314.67 |
| State 389 | MP 0.00 (Utah State Line) to MP 32.60 (Junction US 89A) |
| US 89 | MP 536.99 to MP 556.99 (Utah State Line) |
| US 89A | MP 579.30 (Junction SR 67) to MP 613.03 (Utah State Line) |
| US 160 | MP 393.57 (Junction US 163 at Kayenta) to MP 470.00 (New Mexico State Line) |
| US 163 | MP 393.52 (Junction US 160 at Kayenta) to MP 416.71 (Utah State Line) |
| Gross Vehicle Weight of LCV Combination | |
| Permit Duration and Fee (A.R.S. § 28-1105) | |
| 80,001 lbs through 111,000 lbs | Single or 30-Day - \$75 |
| 80,001 lbs through 111,000 lbs | Annual - \$360 |
| 121,000 lbs for 9 axles; or 123,500 lbs for 10 axles | Annual - \$360 |
| 111,001 lbs through 129,000 lbs* | Single or 30-Day - \$75 |
| 111,001 lbs through 129,000 lbs* | Annual - \$600 |
| *Triple LCVs shall not exceed 123,500 lbs except on I-15. | |
| Maximum Length | |
| The overall length of the cargo carrying unit of the vehicle combination shall not exceed 95 feet. | |
| Limits and Restrictions | |
| LCV operation is subject to federal bridge formula B limits and restricted to the right most traffic lane. Operation may be limited by the Department and restricted or prohibited during periods when traffic, weather, or other safety considerations make such operation unsafe or inadvisable. | |

Historical Note

New Table 2 made by final rulemaking at 9 A.A.R. 665, effective April 8, 2003 (Supp. 03-1). Table 2 amended by final rulemaking at 19 A.A.R. 2486, effective September 7, 2013 (Supp. 13-3).

R17-6-207. Repealed

Historical Note

New Section made by final rulemaking at 9 A.A.R. 665, effective April 8, 2003 (Supp. 03-1). Repealed by final rulemaking at 19 A.A.R. 2486, effective September 7, 2013 (Supp. 13-3).

R17-6-208. Class G Overwidth Special Permits - Specified Vehicle or Combination with Reducible Load Over Legal Width

A. The Department shall issue an annual, 30-day, or single trip class G overwidth special permit according to the following criteria for a specified vehicle, or vehicle combination, with a reducible load that exceeds only the width threshold provided under R17-6-102, Table 1, but does not exceed the following maximum limit:

| | |
|-----------------------------|------------------------------------------------------------------------------------------------------------------------------------------------|
| Vehicle or load description | A specified reducible load that exceeds only the legal width threshold provided under R17-6-102, Table 1, but does not exceed 10 feet in width |
|-----------------------------|------------------------------------------------------------------------------------------------------------------------------------------------|

| | | |
|------------------------|-------------------------------|-------|
| Permit option | Single trip: 96-hour maximum | |
| | Multiple trip: 30-day maximum | |
| | Multiple trip: one year | |
| Fee (A.R.S. § 28-1105) | Single trip | \$15 |
| | Multiple trip, 30 day | \$30 |
| | Multiple trip, one year | \$360 |

- B. An applicant for a class G overwidth special permit shall apply to the Department and submit appropriate fees using the application procedure provided under R17-6-103.
- C. A permittee or driver of an oversize or overweight vehicle or load shall not access a route listed under R17-6-412, Table 4, unless operating in full compliance with all indicated restrictions and requirements.

Historical Note

New Section made by final rulemaking at 9 A.A.R. 665, effective April 8, 2003 (Supp. 03-1). Amended by final rulemaking at 19 A.A.R. 2486, effective September 7, 2013 (Supp. 13-3).

R17-6-209. Class H Overwidth Special Permit - Specified Vehicle and Watercraft Load Combination

A. The Department shall issue an annual class H overwidth special permit according to the following criteria for multiple trips of a specified vehicle and watercraft load combination that exceeds the width threshold established under A.R.S. § 28-1093 and R17-6-102, Table 1:

| | |
|-----------------------------|------------------------------------------------------------------------------------------------------------------------------------------------------------------------------------------------------------------|
| Vehicle or load description | Applicable only to a specified watercraft load registered with Arizona Game & Fish or U.S. Coast Guard that is no wider than 10 feet and within all other threshold dimensions provided under R17-6-102, Table 1 |
| Permit option | Multiple trip: one year |
| Fee (A.R.S. § 28-1103) | \$45 |

- B. An applicant for an annual class H overwidth watercraft special permit shall apply to the Department and submit appropriate fees using the application procedure provided under R17-6-103.
- C. In addition to the application procedure provided under R17-6-103, an applicant for an annual class H overwidth watercraft special permit shall submit to the Department proof of a valid watercraft registration or assigned watercraft registration number issued by the Arizona Game and Fish Department or U.S. Coast Guard.
- D. A permittee or driver of an oversize or overweight vehicle or load shall not access a route listed under R17-6-412, Table 4, unless operating in full compliance with all indicated restrictions and requirements.

Historical Note

New Section made by final rulemaking at 9 A.A.R. 665, effective April 8, 2003 (Supp. 03-1). Amended by final rulemaking at 19 A.A.R. 2486, effective September 7, 2013 (Supp. 13-3).

R17-6-210. Envelope Permits - Non-specific and Non-reducible Vehicle or Load

A. The Department shall issue an annual or 30-day oversize envelope permit, or an annual or 30-day oversize and overweight envelope permit, according to the following criteria for a non-specific and non-reducible vehicle or load that meets the definition of envelope permit under R17-6-101, and does not exceed the maximum permitted weight computations for overweight axle group weight distribution as provided under R17-6-411:

| | |
|-----------------------------|------------------------------------------------------------------------------------------------------------------------------------------------------------------------------------|
| Vehicle or load description | A non-specific and non-reducible vehicle or load that meets the definition of envelope permit under R17-6-101 and is within the maximum permitted weights provided under R17-6-411 |
| Permit option | 30-day oversize only |
| | 30-day oversize and overweight |
| | Annual oversize only |
| | Annual oversize and overweight |

| | | |
|------------------------|--------------------------------|---------|
| Fee (A.R.S. § 28-1143) | 30-day oversize only | \$150 |
| | 30-day oversize and overweight | \$500 |
| | Annual oversize only | \$750 |
| | Annual oversize and overweight | \$1,500 |

- B. An applicant for an oversize, or oversize and overweight, envelope permit shall apply to the Department and submit appropriate fees using the application procedure provided under R17-6-103.
- C. An applicant for an oversize, or oversize and overweight, envelope permit under subsection (A) for a vehicle that is a self-propelled mobile crane, drilling rig, or similar specialty equipment meeting dimensional requirements provided under R17-6-201 shall provide to the Department proof of gross weight:
 1. For an initial application, a public weighmaster’s certificate of weight and measure issued at a certified public scale once the vehicle is equipped and set for highway travel; or
 2. For a renewal application, a certification by the applicant that no dimension has changed and the vehicle does not exceed the originally certified dimensions or weights.
- D. The Department shall assess an additional service charge for:
 1. A modified permit duplicate: \$25; and
 2. Each additional power unit exceeding the original number of permitted power units: \$50.
- E. A permittee or driver of an oversize or overweight vehicle or load shall not access a route listed under R17-6-412, Table 4, unless operating in full compliance with all indicated restrictions and requirements.

Historical Note

New Section made by final rulemaking at 9 A.A.R. 665, effective April 8, 2003 (Supp. 03-1). Amended by final rulemaking at 19 A.A.R. 2486, effective September 7, 2013 (Supp. 13-3).

R17-6-211. Western Regional Permit

- A. The Department shall issue a western regional permit for transport of a specified vehicle, combination of vehicles, or vehicle and load combination meeting specific non-reducible size and weight criteria established under the Western Regional Agreement for transport in Arizona and any other jurisdiction that is a party to the “Western Regional Agreement for the Issuance of Permits for Overweight and/or Oversize Vehicles and/or Loads Involved in Interstate Travel.” The western regional permit eliminates the need to obtain a separate permit for each jurisdiction.
- B. An applicant is eligible for the western regional permit provided under subsection (A), if the applicant’s vehicle, combination of vehicles, or vehicle and load combination meets all of the following criteria:
 1. Non-reducible;
 2. Specifically described;
 3. Width is 14 feet or less;
 4. Height is 14 feet or less;
 5. Length is 110 feet or less;
 6. Overall gross weight is 160,000 pounds or less;
 7. 600 pounds per inch of tire width;
 8. A minimum of five axles; and

Department of Transportation – Oversize and Overweight Special Permits

9. The weights of any group of axles are determined using the lesser of the vehicle weights provided by the tables in the Western Regional Manual or the following:
- 21,500 pounds per single axle;
 - 43,000 pounds per tandem axle group; or
 - 53,000 pounds per tridem axle group (wheel base is more than eight feet but not more than 13 feet).
- C.** An applicant with a vehicle, combination of vehicles, or vehicle and load combination meeting all eligibility criteria provided under subsection (B), may apply for a western regional permit by completing, and submitting to the Department, a western regional permit application along with:
- Proof of valid registration in compliance with A.R.S. § 28-2153;
 - Proof of a valid IFTA license in compliance with A.R.S. § 28-5742, if applicable; and
 - All applicable fees calculated as provided under the fee schedules located in the Western Regional Manual maintained at the Arizona Central Commercial Permits Office or Ports of Entry.
- D.** The Department shall issue, no more than five days before its effective date, a western regional permit valid for a period of five working days.
- E.** The Department, at the request of a permit holder, may extend the western regional permit's period of validity for up to five days, if completion of the trip is precluded by weather, road conditions, or mechanical failure. An extension authorized by the Department under this Section shall be approved:
- By signature of an authorized ECD agent,
 - By telephone in an emergency situation, or
 - By authorization of the Arizona Central Commercial Permits office.
- Historical Note**
New Section made by final rulemaking at 19 A.A.R. 2486, effective September 7, 2013 (Supp. 13-3).
- R17-6-212. Class C Overweight, or Oversize and Overweight, Special Permit - Tridem Axle Group Configurations**
- A.** The Department may issue a single trip class C overweight, or oversize and overweight, special permit for tridem axle group configurations subject to the specific routes and restrictions provided under Table 6 and the maximum permitted weight computations provided under Table 7.
- B.** An applicant for a single trip class C overweight, or oversize and overweight, special permit for tridem axle group configurations shall apply to the Department using the application procedure provided under R17-6-103, and include the \$75 standard permit fee with the \$15 class C review and analysis fee provided under R17-6-204.
- C.** The single trip Class C overweight, or oversize and overweight, special permit for tridem axle group configurations is restricted to a vehicle with:
- A minimum of four tires per tridem axle group;
 - A minimum of eight feet out-to-out axle width for each tridem group;
 - A minimum of eight feet distance between the center of the first axle and the center of the third axle of each tridem group;
 - A maximum of two tridem axle groups, or a maximum of one tandem axle group with one tridem axle group, spaced at least 25 feet between the center of the last axle of the front group and the center of the first axle of the rear group, with no other axles in-between the two groups; and
 - A maximum distance of 12 feet between the center of the first axle and the center of the third axle of each tridem group.
- D.** A tridem axle group may be used in combination with other non-tridem axle groups only if the non-tridem axle groups do not exceed the maximum permitted weight computations for overweight axle group weight distribution under R17-6-411.
- E.** A permit applicant with a vehicle, combination of vehicles, or vehicle and load combination exceeding 14 feet in width, 16 feet in height, 120 feet in length, 140,000 lbs overall gross vehicle weight, or any other dimension specified above shall continue to follow the Department's existing Class C permit application procedures provided under R17-6-204.
- Historical Note**
New Section made by final rulemaking at 19 A.A.R. 2486, effective September 7, 2013 (Supp. 13-3).

Table 6. Class C Overweight, or Oversize and Overweight, Special Permit Routes and Restrictions for Tridem Axle Group Configurations

The single trip class C overweight, or oversize and overweight, special permit for tridem axle group configurations may be issued by the Department for travel on State Route 68, U.S. Route 93 from milepost 67 (junction with State Route 68) to milepost 70 (junction with I-40), and Interstates 10, 19, and 40 subject to the following conditions:

| Route # | Milepost # | STR # | Structure Name | Restrictions |
|---------|------------|-------|----------------------------|-------------------------------|
| I-10 EB | 250.66 | 391 | Rillito Creek Bridge | Travel in the right most lane |
| I-10 EB | 267.65 | 1044 | Earp Wash Tributary Bridge | Travel in the right most lane |
| I-10 EB | 277.46 | 463 | Wash Bridge | Travel in the right most lane |
| I-10 EB | 312.77 | 574 | Sibyl Road TI OP | Exit and bypass |
| I-10 EB | 355.58 | 429 | Monk Draw Bridge | Exit at 352 and merge at 355 |
| I-10 WB | 249.49 | 390 | Canada Del Oro Bridge | Travel in the right most lane |
| I-10 WB | 267.65 | 1045 | Earp Wash Tributary Bridge | Travel in the right most lane |
| I-10 WB | 299.14 | 73 | Cornfield Canyon Bridge | Travel in the right most lane |
| I-10 WB | 312.77 | 575 | Sibyl Road TI OP | Exit and bypass |
| I-10 WB | 389.38 | 210 | Island Wash Bridge | Travel in the right most lane |
| I-40 EB | 224.70 | 321 | Babbitt Tank Wash Bridge | Travel in the right most lane |
| I-40 WB | 13.61 | 377 | Franconia Wash Bridge | Travel in the right most lane |
| I-40 WB | 21.01 | 1312 | Flat Top Wash Bridge | Travel in the right most lane |
| I-40 WB | 21.84 | 364 | Happy Jack Wash Bridge | Travel in the right most lane |
| I-40 WB | 23.56 | 365 | Mackenzie Wash Bridge | Travel in the right most lane |
| I-40 WB | 144.31 | 440 | Ash Fork ATSFRR OP | Travel in the right most lane |
| I-40 WB | 148.91 | 441 | Johnson Canyon Bridge | Travel in the right most lane |
| I-40 WB | 278.03 | 459 | Tanner Wash Bridge | Travel in the right most lane |

EB = Eastbound, I = Interstate, OP = Overpass, STR # = Structure #, TI = Traffic Interchange, WB = Westbound,

Historical Note

Table 6 made by final rulemaking at 19 A.A.R. 2486, effective September 7, 2013 (Supp. 13-3).

Table 7. Maximum Permitted Weight Computations: Tridem Axle Group Configurations

| | Distance between the center of the first axle and the center of the third axle of a tridem group: | | | | | | | | | | | |
|-----|---------------------------------------------------------------------------------------------------|--------|--------|--------|--------|--------|--------|--------|--------|--------|--------|--------|
| | 0" | 1" | 2" | 3" | 4" | 5" | 6" | 7" | 8" | 9" | 10" | 11" |
| 8' | 57,960 | 58,061 | 58,161 | 58,262 | 58,363 | 58,463 | 58,564 | 58,664 | 58,765 | 58,866 | 58,966 | 59,067 |
| 9' | 59,168 | 59,268 | 59,369 | 59,469 | 59,570 | 59,671 | 59,771 | 59,872 | 59,973 | 60,000 | 60,000 | 60,000 |
| 10' | 60,000 | 60,000 | 60,000 | 60,000 | 60,000 | 60,000 | 60,000 | 60,000 | 60,000 | 60,000 | 60,000 | 60,000 |
| 11' | 60,000 | 60,000 | 60,000 | 60,000 | 60,000 | 60,000 | 60,000 | 60,000 | 60,000 | 60,000 | 60,000 | 60,000 |
| 12' | 60,000 | | | | | | | | | | | |

Computation Formula: Weight = 1.5 X 700 (L + 40)

(L = Distance between the center of the front axle and the center of the rear axle of a given group.)

Legend:

Eight tires per axle or four 14-inch wide tires. Value is the formula weight plus 15% up to a maximum 60,000 lbs.

Historical Note

Table 7 made by final rulemaking at 19 A.A.R. 2486, effective September 7, 2013 (Supp. 13-3).

ARTICLE 3. SAFETY REQUIREMENTS

2013 (Supp. 13-3).

Article 3, consisting of Sections R17-6-301 through R17-6-308, made by final rulemaking at 9 A.A.R. 665, effective April 8, 2003 (Supp. 03-1).

R17-6-301. General Safety Requirements

In addition to the provisions of this Article, a permittee and a driver of an oversize or overweight vehicle permitted under this Chapter, or a person or entity exempt under R17-6-102(D), shall comply with all federal motor carrier safety regulations incorporated by the Department under 17 A.A.C. Chapter 5, Article 2, as applicable to a motor carrier operating in Arizona.

Historical Note

New Section made by final rulemaking at 9 A.A.R. 665, effective April 8, 2003 (Supp. 03-1). Amended by final rulemaking at 19 A.A.R. 2486, effective September 7,

R17-6-302. Warning Flag Requirements

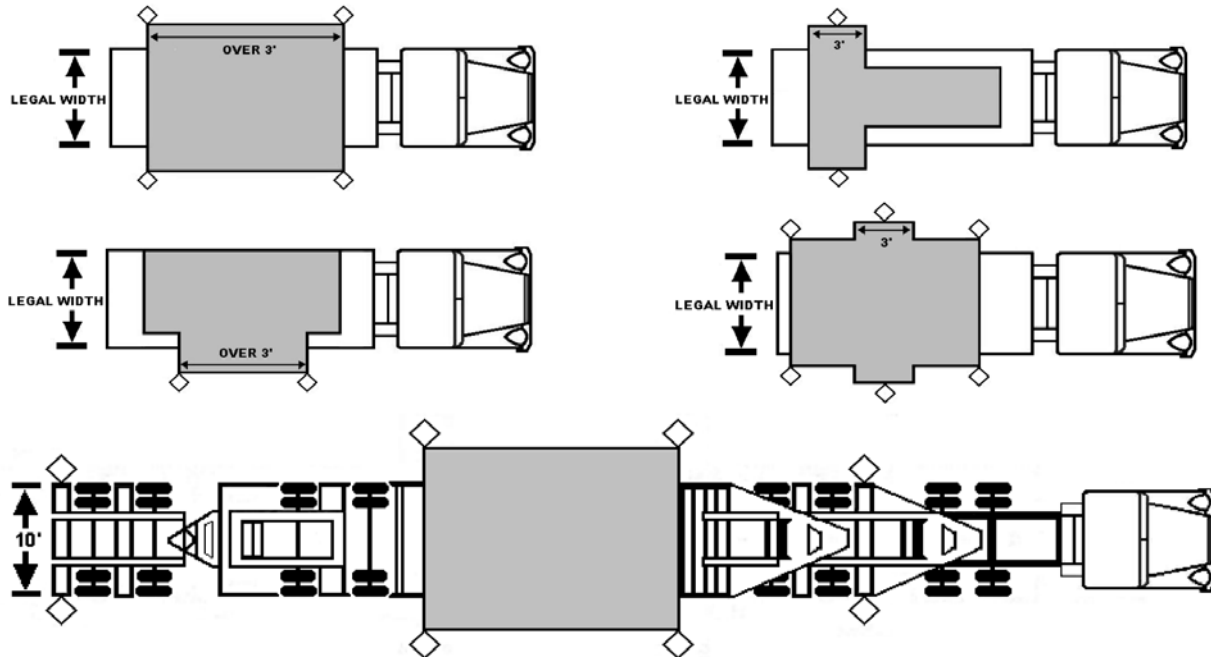
- A. Specifications. Each warning flag attached to an overwidth or overlength load shall be cloth or plastic at least 18 inches square and red or fluorescent orange in color.
- B. Display. A permittee or driver of an overwidth or overlength special permitted vehicle and load combination shall display warning flags applicable to the permittee’s vehicle and load configuration as indicated under Illustration 1.

Historical Note

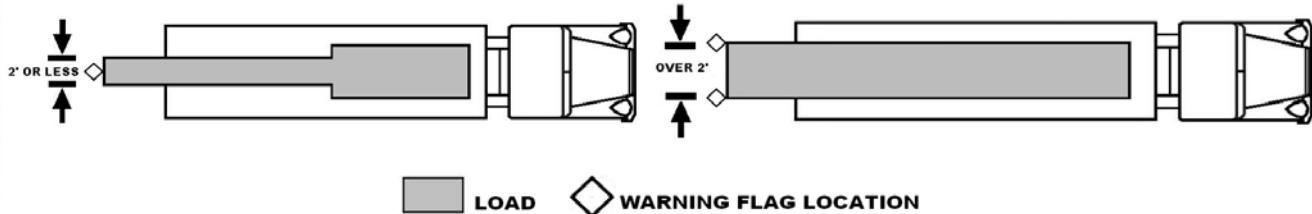
New Section made by final rulemaking at 9 A.A.R. 665, effective April 8, 2003 (Supp. 03-1). Amended by final rulemaking at 19 A.A.R. 2486, effective September 7, 2013 (Supp. 13-3).

Illustration 1. Warning Flag Configurations

EXAMPLES FOR WARNING FLAGS ON OVERWIDTH LOADS EXTENDING MORE THAN 4 INCHES BEYOND THE OVERALL WIDTH OF THE VEHICLE



EXAMPLES FOR WARNING FLAGS ON OVERLENGTH LOADS WITH A REAR OVERHANG OF 4 FEET OR MORE FROM END OF TRAILER



Historical Note

New Illustration made by final rulemaking at 9 A.A.R. 665, effective April 8, 2003 (Supp. 03-1). Illustration amended by final rulemaking at 19 A.A.R. 2486, effective September 7, 2013 (Supp. 13-3).

R17-6-303. Sign Requirements

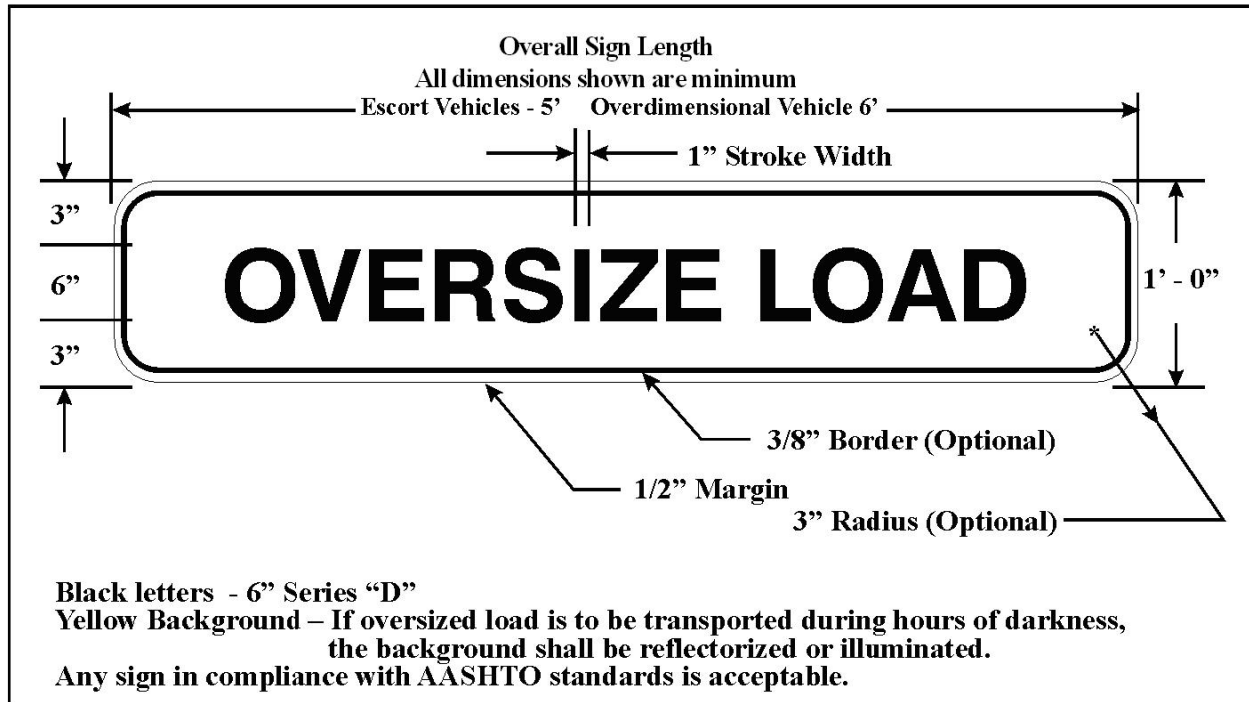
- A. A permittee shall ensure that an oversize or overweight vehicle or load displays an “OVERSIZE LOAD” sign if the vehicle or load is nine feet or more in width.
- B. A permittee shall display an “OVERSIZE LOAD” sign on any oversize or overweight special permitted vehicle or load not specified under subsection (A) if necessary to ensure maximum visibility for public safety.

- C. An “OVERSIZE LOAD” sign shall meet construction specifications provided under Illustration 2 at a minimum.
- D. A permittee shall display required “OVERSIZE LOAD” signs that are:
 1. Mounted to the front or roof of the power unit,
 2. Mounted to the rear of the load or loaded vehicle,
 3. Parallel with the road surface from side-to-side,
 4. Readable from left to right, and
 5. Clearly visible from the vehicle’s front and rear.
- E. If a permittee required to display an “OVERSIZE LOAD” sign is not transporting an oversize or overweight load, the permittee shall ensure each sign is not visible to traffic

Historical Note

New Section made by final rulemaking at 9 A.A.R. 665, effective April 8, 2003 (Supp. 03-1). Amended by final rulemaking at 19 A.A.R. 2486, effective September 7, 2013 (Supp. 13-3).

Illustration 2. “OVERSIZE LOAD” Sign



Historical Note

New Illustration made by final rulemaking at 9 A.A.R. 665, effective April 8, 2003 (Supp. 03-1). Illustration amended by final rulemaking at 19 A.A.R. 2486, effective September 7, 2013 (Supp. 13-3).

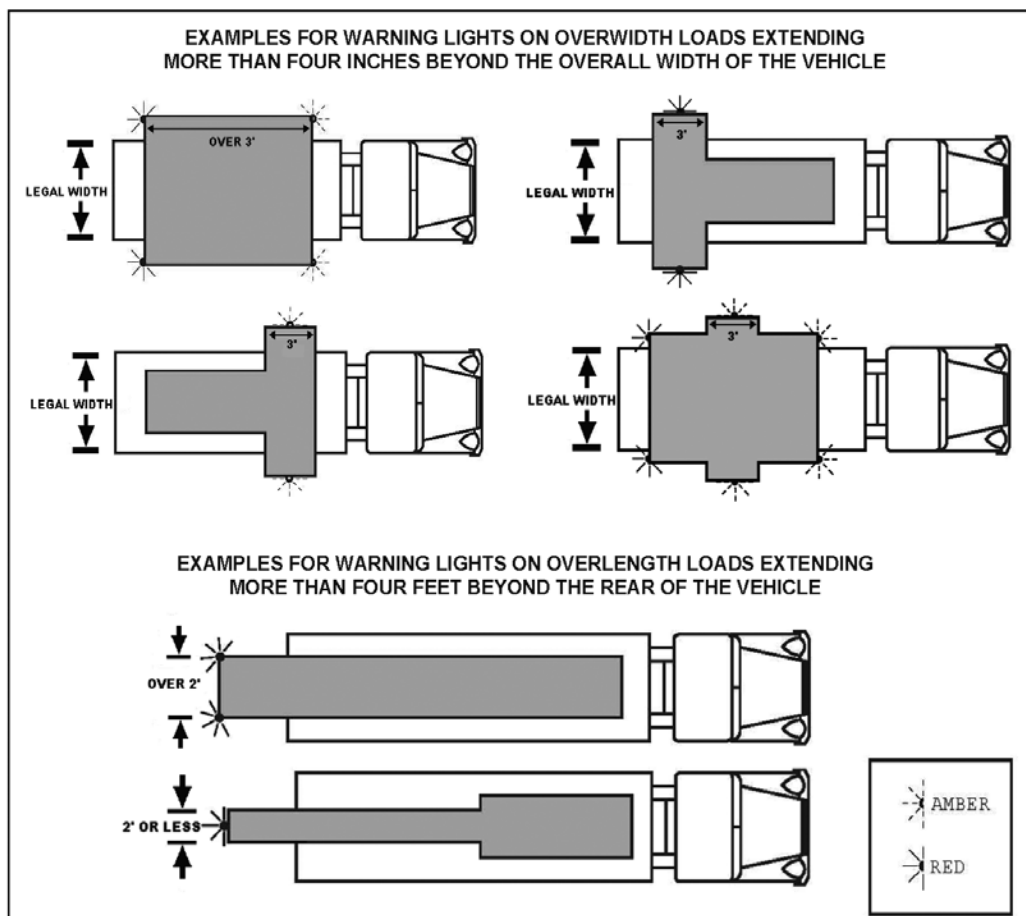
R17-6-304. Lighting Device Requirements

- A. A permittee or driver of an oversize or overweight vehicle or load shall:
 1. Comply with all applicable lighting equipment requirements under A.R.S. Title 28, Chapter 3, Article 16, and 49 CFR 393 as incorporated by reference under A.A.C. R17-5-202; and
 2. Operate with the lighting equipment illuminated as prescribed under A.R.S. §§ 28-922 and 28-935.
- B. A permittee or driver of a vehicle transporting a load that projects more than four inches beyond the overall width of the vehicle shall attach safety lighting during nighttime operation according to the requirements provided under Illustration 4, and R17-6-307, that most closely correspond to the permittee’s or driver’s vehicle and load configuration.
- C. A permittee or driver of an oversize load that projects more than three feet in front overhang, or more than four feet in rear overhang, shall attach safety lighting during nighttime operation according to the requirements provided under Illustration 4, and R17-6-307, that most closely correspond to the permittee’s or driver’s vehicle and load configuration.

Historical Note

New Section made by final rulemaking at 9 A.A.R. 665, effective April 8, 2003 (Supp. 03-1). Amended by final rulemaking at 19 A.A.R. 2486, effective September 7, 2013 (Supp. 13-3)

Illustration 4. Safety Lighting Configurations.

**Historical Note**

New Illustration made by final rulemaking at 19 A.A.R. 2486, effective September 7, 2013 (Supp. 13-3).

R17-6-305. Escort Vehicles**A. Service requirement.**

1. A permittee transporting an oversize or overweight vehicle or load shall use all escort vehicles required by the Department as a condition of special permit issuance under this Chapter.
2. The Department shall determine whether one or more escort vehicles must accompany an oversize or overweight special permitted vehicle by considering the following in relation to the proposed transport and route:
 - a. Roadway dynamics, including surface condition, grade, width, and height limitations;
 - b. Overall dimensions of the vehicle and load;
 - c. Need for frequent stops;
 - d. Concern for public safety; and
 - e. Time of transport.
3. According to the criteria applicable under subsection (A)(2), the Department shall require two or more oversize or overweight special permitted vehicles traveling together to be accompanied by at least one escort vehicle per load.

B. Vehicle, operator, and equipment requirements.

1. A vehicle qualifies as an escort vehicle if it:
 - a. Is a passenger car or two-axle truck operating as a single unit,
 - b. Is currently registered, and
 - c. Meets insurance requirements as provided by law.
2. An escort vehicle operator, except for a law enforcement

escort, while in service under this Chapter shall:

- a. Meet all requirements under A.R.S. § 28-1110, and maintain certification through a program that meets the escort vehicle operator training and certification standards of the Commercial Vehicle Safety Alliance or an equivalent program, whether in this state or another state, that meets the same objectives;
- b. Carry in the escort vehicle the same emergency equipment required for a truck, truck tractor, or bus under A.R.S. § 28-960 and 49 CFR 393.95, which shall include:
 - i. Fire extinguishers;
 - ii. Warning devices for stopped vehicles; and
 - iii. Emergency staff-mounted warning flags;
- c. Display an "OVERSIZE LOAD" sign:
 - i. Constructed for escort vehicles as provided under R17-6-303, Illustration 2;
 - ii. Mounted above the vehicle's roofline and visible to approaching traffic from the front and rear;
 - iii. Accompanied by two flags, one mounted on each side of the oversize load sign; and
 - iv. Concealed when not in use; and
- d. Ensure continuous communication by two-way radio:
 - i. Capable of transmitting and receiving a minimum of 1/2 mile; and
 - ii. Compatible with the two-way radios used by

the driver of the escorted vehicle, law enforcement escorts, and all other accompanying escort vehicles.

C. Operation.

1. **Lighting requirement.** While in service, an escort vehicle operator shall maintain continuous illumination of headlights and overhead warning lights as prescribed under A.R.S. § 28-947.
2. **Lead and follow distance.** An escort vehicle operator shall maintain a lead or follow distance from an escorted vehicle that generally does not exceed 1,500 feet on an open state highway or 250 feet in an urban setting. When determining the appropriate lead or follow distance, an escort vehicle operator shall:
 - a. Consider traffic density, road conditions, road type, speed, and type of load;
 - b. Ensure constant radio communication with all escorts and the escorted vehicle; and
 - c. Maintain visual contact with the escorted vehicle at all times.
3. **Stop provisions at an intersection with a traffic control signal.**
 - a. When an oversize or overweight special permitted vehicle is required to stop, the lead-escort vehicle operator shall proceed through the intersection and stop safely off the roadway. The lead-escort vehicle operator shall resume an appropriate lead distance as soon as is safely possible.
 - b. When a following-escort vehicle is required to stop, the operator of an oversize or overweight special permitted vehicle shall proceed without stopping. The following-escort vehicle operator shall resume an appropriate following distance behind the oversize or overweight special permitted vehicle as soon as is safely possible after clearing an intersection.

Historical Note

New Section made by final rulemaking at 9 A.A.R. 665, effective April 8, 2003 (Supp. 03-1). Amended by final rulemaking at 13 A.A.R. 866, effective March 6, 2007 (Supp. 07-1). Amended by final rulemaking at 19 A.A.R. 2486, effective September 7, 2013 (Supp. 13-3).

R17-6-306. Traffic Control Provisions

- A.** The Department may require additional traffic control by a uniformed certified law enforcement officer to ensure highway safety. The Department shall consider the criteria under R17-6-305(A) when determining the need for additional traffic control.
- B.** If the Department requires a law enforcement escort under R17-6-412, Table 4, or as necessary to promote public safety, the permittee or driver of the oversize or overweight special permitted vehicle shall:
 1. Contact the Arizona Department of Public Safety at least 12 hours before transport to request the appropriate number of uniformed certified law enforcement escorts required for the permitted activity; and
 2. Ensure continuous two-way radio communication during transport with all law enforcement and other escort vehicles required to accompany the permitted vehicle under R17-6-305 and R17-6-307.
- C.** If the Arizona Department of Public Safety is unable to provide the appropriate law enforcement escorts requested as provided under subsection (B), the permittee or driver of an

oversize or overweight special permitted vehicle may use any uniformed certified law enforcement escorts if at least one officer is certified for enforcement of the Federal Motor Carrier Safety Regulations of the U.S. Department of Transportation's Federal Motor Carrier Safety Administration.

Historical Note

New Section made by final rulemaking at 9 A.A.R. 665, effective April 8, 2003 (Supp. 03-1). Amended by final rulemaking at 19 A.A.R. 2486, effective September 7, 2013 (Supp. 13-3).

R17-6-307. Projecting Load or Vehicle

- A.** The Department shall require a class A special permit for transporting a load or vehicle that projects:
 1. Two feet or less, if the projecting portion of the load or vehicle has a thickness of less than 12 inches; or
 2. Three feet or less, if the projecting portion of the load or vehicle has a thickness of 12 inches or more.
- B.** The Department shall require a class C special permit for transporting a load that projects from either side of the vehicle:
 1. More than two feet, if the height of the projecting portion of the load has a thickness of less than 12 inches; or
 2. More than three feet, if the height of the projecting portion of the load has a thickness of 12 inches or more.
- C.** A permittee of a projecting vehicle or load shall have escort vehicle accompaniment as follows:
 1. A front escort vehicle if the front load projection is longer than 20 feet, or
 2. A rear escort vehicle if rear projection is longer than 20 feet.
- D.** A permittee or driver of a projecting vehicle or load with more than a four foot front or rear overhang shall:
 1. Attach warning flags to the load as provided under R17-6-302 and Illustration 1, for daylight operation; or
 2. Attach safety lighting to the load as provided under R17-6-304 and Illustration 4, for nighttime operation.
- E.** An integral component removed from a loaded primary object may be transported on the same vehicle bearing the primary object provided the component does not cause the hauling vehicle to exceed a size or weight permitted for the primary object.

Historical Note

New Section made by final rulemaking at 9 A.A.R. 665, effective April 8, 2003 (Supp. 03-1). Amended by final rulemaking at 19 A.A.R. 2486, effective September 7, 2013 (Supp. 13-3).

R17-6-308. Permittee or Driver Obligation to Notify Utility Companies of Overheight Transport

A permittee or driver shall notify a responsible utility company of possible disturbance or damage, as provided under A.R.S. § 40-360.43, if overhead utility lines extend across a proposed route and the permitted vehicle or load exceeds 16 feet in height or any route-specific height restriction provided under R17-6-412, Table 4.

Historical Note

New Section made by final rulemaking at 9 A.A.R. 665, effective April 8, 2003 (Supp. 03-1). Amended by final rulemaking at 19 A.A.R. 2486, effective September 7, 2013 (Supp. 13-3).

ARTICLE 4. TRANSPORT PROVISIONS

Article 4, consisting of Sections R17-6-401 through R17-6-412, made by final rulemaking at 9 A.A.R. 665, effective April 8, 2003 (Supp. 03-1).

R17-6-401. General Highway Operations

- A. A permittee or driver of an oversize or overweight special permitted vehicle or vehicle and load combination shall:
 - 1. Operate no earlier than one-half hour before sunrise and no later than one-half hour after sunset, exact daily times as defined under R17-6-101, except as provided under this Article, or unless the Department otherwise:
 - a. Restricts operation on a highway, or
 - b. Grants permit-specific alternate operation hours other than those listed under this subsection as a necessary condition to maintain highway safety;
 - 2. Operate in the rightmost lane of a multi-lane highway if indicated on the special permit except to overtake and pass another vehicle; and
 - 3. Maintain a minimum distance of 2,000 feet from any other oversize or overweight special permitted vehicle traveling on the same highway in the same direction except when passing.
- B. Removal of signs, guardrails or other assets from the right-of-way is not authorized under an oversize or overweight special permit and is illegal under A.R.S. § 28-7053. A separate encroachment permit issued by the Department is required to enter the right-of-way for these purposes or for any reason other than authorized public travel. The activities authorized while in the right-of-way shall be outlined in the encroachment permit.
- C. Replacement of any state-owned highway feature moved under an encroachment permit, issued pursuant to 17 A.A.C. 3, Article 5, as a result of the transport of an oversize or overweight vehicle along a traveled route, shall be detailed on the encroachment permit and completed under Department supervision.
- D. A permittee and driver of an oversize or overweight special permitted vehicle, prior to commencing transport, shall access and review the most current information on roadway conditions, closures, and restrictions using one of the following methods:
 - 1. Phone inquiry - dial 511, or
 - 2. Online inquiry - visit www.az511.gov.

Historical Note

New Section made by final rulemaking at 9 A.A.R. 665, effective April 8, 2003 (Supp. 03-1). Amended by final rulemaking at 19 A.A.R. 2486, effective September 7, 2013 (Supp. 13-3).

R17-6-402. Speed Restriction

- A. A driver of an oversize or overweight vehicle or load shall not exceed the lower maximum speed determined by either of the following:
 - 1. A speed limit printed on an issued permit, or
 - 2. A highway posted vehicle-specific speed limit.
- B. The Department may order an alternative speed restriction to

prevent:

- 1. Hazardous traffic conditions, or
- 2. Damages to a highway or highway feature.

Historical Note

New Section made by final rulemaking at 9 A.A.R. 665, effective April 8, 2003 (Supp. 03-1). Amended by final rulemaking at 19 A.A.R. 2486, effective September 7, 2013 (Supp. 13-3).

R17-6-403. Weather Restrictions; Hazardous Conditions

- A. Responsibility. A driver of an oversize or overweight vehicle, or vehicle and load combination, shall:
 - 1. Use the criteria provided under subsection (B) to identify unsafe roadway conditions and discontinue transport until safe to continue, and
 - 2. Comply with all official agency weather-related travel advisories prohibiting oversize or overweight transport.
- B. Determining conditions. A driver of an oversize or overweight vehicle, or vehicle and load combination, shall not transport under the following hazardous conditions:

| Hazardous Conditions: | Possible Causes May Include: |
|------------------------------------------------------------------|-------------------------------------------------------------------------------------------------------------------------------|
| Driver visibility range becomes less than 500 feet | <ul style="list-style-type: none"> • Blowing dust • Falling snow • Fog • Heavy rain |
| Road surface condition reduces normal traction | <ul style="list-style-type: none"> • Snow • Ice • Flooding |
| A load destabilizing condition endangers road surface or traffic | <ul style="list-style-type: none"> • High winds • Falling objects |

Historical Note

New Section made by final rulemaking at 9 A.A.R. 665, effective April 8, 2003 (Supp. 03-1). Amended by final rulemaking at 19 A.A.R. 2486, effective September 7, 2013 (Supp. 13-3).

R17-6-404. Metropolitan Curfew Transport Restriction

- A. Unless otherwise provided under this Article, this Section shall apply as provided under subsections (B) and (C) to a special permitted vehicle or load that exceeds 10 feet in width, but does not exceed any of the following dimensions:
 - 1. 16 feet in height;
 - 2. 3 feet in length of front overhang;
 - 3. 10 feet in length of rear overhang;
 - 4. 120 feet in overall length; or
 - 5. 250,000 pounds.
- B. A permittee or driver of a special permitted vehicle or load described under subsection (A) may transport on a Monday through Friday during curfew hours subject to the following routes and restrictions:

| Metropolitan Phoenix - Curfew Routes and Restrictions | | |
|-------------------------------------------------------|-------------------------------------------------------------------------|---------------------------------------------------------------------------------------------------------|
| Route | Restriction Location (MP = Milepost) | Width Restrictions During the Curfew Hours of: 7:00 a.m. to 9:00 a.m.; and 4:00 p.m. to 6:00 p.m. |
| SR 202 | MP 9.80 (Junction SR 101) to MP 57.24 (Junction I-10) | Over 10' - 12' = Requires rear escort Over 12' - 16' = No transport |
| SR 101 | MP 1.21 (Junction I-10, near 99th Avenue) to MP 61.33 (Junction SR 202) | Over 10' - 12' = Requires rear escort Over 12' - 16' = No transport |

C. A permittee or driver of a special permitted vehicle or load exceeding any dimension described under subsection (A) shall not transport on a Monday through Friday during curfew hours subject to the following routes and restrictions:

| Metropolitan Phoenix - Curfew Routes and Restrictions | | |
|-------------------------------------------------------|-----------------------------------------------------------------------------------|---------------------------------------------------------------------------------------------------------|
| Route | Restriction Location (MP = Milepost) | Width Restrictions During the Curfew Hours of: 7:00 a.m. to 9:00 a.m.; and 4:00 p.m. to 6:00 p.m. |
| I-10 | MP 133.98 (Junction SR 101) to MP 161.35 (Junction SR 202, Santan) | Over 10' - 16' = No transport |
| I-17 | MP 193.94 (Beginning of route at Junction I-10) to MP 214.96 (Junction SR 101) | Over 10' - 16' = No transport |
| SR 51 | MP 0.00 (Junctions I-10 and SR Loop 202) to MP 15.90 (Junction SR Loop 101) | Over 10' - 16' = No transport |
| SR 143 | MP 0.00 (Junction I-10) to MP 3.81 (McDowell Road) | Over 10' - 16' = No transport |
| SR 202 | MP 0.00 (Junctions I-10 and SR 51) to MP 9.80 (Junction SR 101) | Over 10' - 16' = No transport |
| US 60 | MP 172.00 (Junction I-10) to MP 190.51 (Junction SR 202) | Over 10' - 16' = No transport |
| Metropolitan Tucson - Curfew Routes and Restrictions | | |
| I-10 | MP 236.42 (Marana Road) to MP 270.67 (Kolb Road) | Over 10' - 16' = No transport |
| I-19 | MP 59.09 (Valencia Road, Kilometer Post 95.00) to MP 63.09 (Junction I-10) | Over 10' - 16' = No transport |
| SR 77 | MP 68.05 (Junction I-10) to MP 79.48 (Tangerine Road) | Over 10' - 16' = No transport |
| SR 86 | MP 164.04 (Camino Verde Road) to MP 171.44 (Junction I-19) | Over 10' - 16' = No transport |
| Metropolitan Yuma - Curfew Routes and Restrictions | | |
| US 95 | MP 19.84 (32nd Street East) to MP 31.87 (Avenue 9E) | Over 10' - 16' = No transport |
| SB 8 | MP 0.00 (California State Line) to MP 11.50 (End of route near I-8, east of Yuma) | Over 10' - 16' = No transport |

Historical Note

New Section made by final rulemaking at 9 A.A.R. 665, effective April 8, 2003 (Supp. 03-1). Amended by final rulemaking at 19 A.A.R. 2486, effective September 7, 2013 (Supp. 13-3).

R17-6-405. Weekend Transport Allowance

- A. Except as provided under R17-6-414, a permittee or driver of an oversize or overweight special permitted vehicle, ineligible for continuous travel under R17-6-408 due to excess width or height, may transport on a weekend as provided under this Section if the vehicle or vehicle and load combination is:
 1. Over 10 feet to 16 feet in width, or
 2. Over 14 feet 6 inches to 16 feet in height, and
 3. Otherwise within the limits provided under R17-6-408.
- B. A permittee or driver of a vehicle or load described under subsection (A) may transport on a Saturday or Sunday as follows:
 1. On any non-holiday weekend;
 2. From 3:00 a.m. until 12 noon;
 3. On select routes authorized by the Department for weekend transport under R17-6-412, Table 4; and
 4. With applicable escort accompaniment as provided under subsection (D).
- C. A permittee or driver of a vehicle or load transporting under this Section shall additionally comply with all applicable

restrictions and escort vehicle requirements provided under R17-6-412, Table 4.

- D. Unless the Department requires additional escort vehicles under R17-6-412, Table 4, a permittee or driver of a vehicle or load transporting under this Section shall have escort vehicle accompaniment as follows:
 1. Over 11 to 14 feet in width requires a rear escort,
 2. Over 14 to 16 feet in width requires a front and rear escort, and
 3. Over 15 feet in height requires a front escort with a height pole.
- E. The Department may approve weekend transport under a class C special permit for a vehicle and load combination exceeding the dimensions provided under subsection (A) upon determining the exception to be in the best interest of the public.

Historical Note

New Section made by final rulemaking at 9 A.A.R. 665, effective April 8, 2003 (Supp. 03-1). Amended by final rulemaking at 19 A.A.R. 2486, effective September 7, 2013 (Supp. 13-3).

R17-6-406. Holiday Transport Restriction

- A. Except as provided under R17-6-414, this Section applies to an oversize or overweight special permitted vehicle or load with a dimension of more than:

Department of Transportation – Oversize and Overweight Special Permits

1. 10 feet in width,
 2. 14 feet 6 inches in height,
 3. 3 feet in length of front overhang,
 4. 10 feet in length of rear overhang, or
 5. 120 feet in overall length.
- B.** A permittee or driver shall not transport an oversize or overweight vehicle or load described under subsection (A) in Arizona on the following holidays:
1. New Year's Day,
 2. Memorial Day,
 3. Independence Day,
 4. Labor Day,
 5. Thanksgiving Day, or
 6. Christmas Day.
- C.** A restriction on transport for a holiday listed under subsection (B) also includes days before and after a holiday as follows:
1. When a holiday occurs on a Friday, transport shall stop at 12 noon on the preceding Thursday and may resume the following Monday at one-half hour before sunrise, or Monday at 3:00 a.m. if night transport is allowed under R17-6-409;
 2. When a holiday occurs on a Saturday, transport shall stop at 12 noon on the preceding Thursday and may resume the following Monday at one-half hour before sunrise, or Monday at 3:00 a.m. if night transport is allowed under R17-6-409;
 3. When a holiday occurs on a Sunday, transport shall stop at 12 noon on the preceding Friday and may resume the following Tuesday at one-half hour before sunrise, or Tuesday at 3:00 a.m. if night transport is allowed under R17-6-409;
 4. When a holiday occurs on a Monday, transport shall stop at 12 noon on the preceding Friday and may resume the following Tuesday at one-half hour before sunrise, or Tuesday at 3:00 a.m. if night transport is allowed under R17-6-409; and
 5. When a holiday occurs on a Tuesday, Wednesday, or Thursday, transport shall stop at 12 noon on the day before the holiday and may resume the day after the holiday at one-half hour before sunrise, or the day after the holiday at 3:00 a.m. if night transport is allowed under R17-6-409.
- D.** The Department may approve holiday transport under a class C special permit for a vehicle and load combination exceeding a dimension provided under subsection (A), upon determining the exception to be in the best interest of public safety.

Historical Note

New Section made by final rulemaking at 9 A.A.R. 665, effective April 8, 2003 (Supp. 03-1). Amended by final rulemaking at 19 A.A.R. 2486, effective September 7, 2013 (Supp. 13-3).

R17-6-407. Route-specific and Permit-specific Transport Restrictions

A permittee or driver of a class C oversize or overweight special permitted vehicle or load shall not transport on a Friday from 12 noon until 3:00 a.m. on a route designated by the Department under R17-6-412, Table 4, as being subject to route-specific or permit-specific transport restrictions.

Historical Note

New Section made by final rulemaking at 9 A.A.R. 665, effective April 8, 2003 (Supp. 03-1). Section R17-6-407 renumbered to R17-6-414; new Section made by final rulemaking at 19 A.A.R. 2486, effective September 7, 2013 (Supp. 13-3).

R17-6-408. Continuous Travel

A. Except as provided under R17-6-404, a permittee or driver of an oversize or overweight special permitted vehicle is eligible for continuous travel under this Section if the vehicle or vehicle and load combination does not exceed any of the following

dimensions:

1. 10 feet in width;
 2. 14 feet 6 inches in height;
 3. 3 feet in length of front overhang;
 4. 10 feet in length of rear overhang;
 5. 120 feet in overall length; or
 6. 250,000 pounds.
- B.** Unless otherwise restricted under R17-6-404, R17-6-405, R17-6-406, or R17-6-412, Table 4, a permittee or driver of a self-propelled mobile crane, drilling rig, or similar specialty equipment issued a special permit under R17-6-205, is eligible for continuous travel if the vehicle does not exceed any of the following dimensions:
1. 11 feet in width;
 2. 14 feet in height;
 3. 3 feet in length of front overhang;
 4. 10 feet in length of rear overhang;
 5. 120 feet in overall length; or
 6. 250,000 pounds.
- C.** A permittee or driver of a vehicle or load transporting under this Section shall additionally comply with all applicable restrictions and escort vehicle requirements provided under R17-6-305 and R17-6-412, Table 4.

Historical Note

New Section made by final rulemaking at 9 A.A.R. 665, effective April 8, 2003 (Supp. 03-1). Amended by final rulemaking at 19 A.A.R. 2486, effective September 7, 2013 (Supp. 13-3).

R17-6-409. Night Transport Restriction

- A.** Unless further restricted under this Article, this Section applies to a permittee or driver of an oversize or overweight vehicle, or vehicle and load combination, within the following dimensions:
1. 16 feet or less in width;
 2. 16 feet or less in height;
 3. 3 feet or less in length of front overhang;
 4. 10 feet or less in length of rear overhang;
 5. 120 feet or less in overall length; or
 6. 250,000 pounds or less in overall weight.
- B.** A permittee or driver of a vehicle or load described under subsection (A) may transport at night as follows:
1. Beginning at 3:00 a.m. except on any day, route, or time further restricted under R17-6-404 through R17-6-406;
 2. On select routes authorized by the Department for night transport under R17-6-412, Table 4; and
 3. With applicable escort accompaniment as provided under subsection (D).
- C.** A permittee or driver of a vehicle or load transporting under this Section shall additionally comply with all applicable restrictions and escort vehicle requirements provided under R17-6-412, Table 4.
- D.** Unless the Department requires additional escort vehicles under R17-6-412, Table 4, a permittee or driver of a vehicle or load transporting under this Section shall have escort vehicle accompaniment until sunrise as follows:
1. Over 11 to 14 feet in width requires a rear escort,
 2. Over 14 to 16 feet in width requires a front and rear escort, and
 3. Over 15 feet in height requires a front escort with a height pole.
- E.** The Department may approve night transport under a class C special permit for a vehicle and load combination exceeding the dimensions provided under subsection (A) upon determining the exception to be in the best interest of public safety.

Historical Note

New Section made by final rulemaking at 9 A.A.R. 665, effective April 8, 2003 (Supp. 03-1). Amended by final rulemaking at 19 A.A.R. 2486, effective September 7, 2013 (Supp. 13-3).

R17-6-410. Special Mobile Home Towing Restriction

- A. A vehicle towing a mobile home shall have a factory rating that corresponds with the following criteria:

| Load measurement criteria | Towing vehicle factory rating |
|-------------------------------------------------------------------------|--------------------------------------------------------------------|
| 10 feet or less in width and 50 feet or less in length, including hitch | 1 1/2 tons |
| More than 10 feet in width or more than 50 feet in length, or both | Two tons; four tires per drive axle and minimum 99 inch wheel base |

- B. A mobile home transporter shall cover the open side of a mobile home module with plastic sheeting no thinner than 1.5 mil plus a rigid grillwork backing.

Historical Note

New Section made by final rulemaking at 9 A.A.R. 665, effective April 8, 2003 (Supp. 03-1). Amended by final rulemaking at 19 A.A.R. 2486, effective September 7, 2013 (Supp. 13-3).

R17-6-411. Maximum Permitted Weights

- A. Except as provided under R17-6-211 and R17-6-212, the Department shall use the formulas and computations provided under Tables 3.01 through 3.09, and Illustration 3, to determine the maximum weights allowed on any combination of axles within the distance between the front and rear axle of a given axle group, up to a maximum of 18 feet, when issuing an oversize or overweight special permit for a non-reducible vehicle or load under this Article.
- B. The Department shall use the computations provided under R17-6-212, Table 7, to determine the maximum weights allowed for tridem axle group configurations subject to conditions, restrictions, allowances, and route limitations provided under R17-6-212, Table 6.

Historical Note

New Section made by final rulemaking at 9 A.A.R. 665, effective April 8, 2003 (Supp. 03-1). Amended by final rulemaking at 19 A.A.R. 2486, effective September 7, 2013 (Supp. 13-3).

Department of Transportation – Oversize and Overweight Special Permits

Table 3.01. Maximum Permitted Weight Computations: Axle Width - 8 Feet
Overweight Axle Group Chart

Distance between the center of the front axle and the center of the rear axle of a given group.

| | | Inches | | | | | | | | | | | | |
|------|----|--------|--------|--------|--------|--------|--------|--------|--------|--------|--------|--------|--------|--------|
| | | 0 | 1 | 2 | 3 | 4 | 5 | 6 | 7 | 8 | 9 | 10 | 11 | |
| Feet | 3 | A | 28,000 | 28,000 | 28,000 | 28,000 | 28,000 | 28,000 | 45,675 | 45,763 | 45,850 | 45,938 | 46,025 | 46,113 |
| | | B | 32,200 | 32,200 | 32,200 | 32,200 | 32,200 | 32,200 | 52,526 | 52,627 | 52,728 | 52,828 | 52,929 | 53,029 |
| | 4 | A | 46,200 | 46,288 | 46,375 | 46,463 | 46,550 | 46,638 | 46,725 | 46,813 | 46,900 | 46,988 | 47,075 | 47,163 |
| | | B | 53,130 | 53,231 | 53,331 | 53,432 | 53,533 | 53,633 | 53,734 | 53,834 | 53,935 | 54,036 | 54,136 | 54,237 |
| | 5 | A | 47,250 | 47,338 | 47,425 | 47,513 | 47,600 | 47,688 | 47,775 | 47,863 | 47,950 | 48,038 | 48,125 | 48,213 |
| | | B | 54,338 | 54,438 | 54,539 | 54,639 | 54,740 | 54,841 | 54,941 | 55,042 | 55,143 | 55,243 | 55,344 | 55,444 |
| | 6 | A | 48,300 | 48,388 | 48,475 | 48,563 | 48,650 | 48,738 | 48,825 | 48,913 | 49,000 | 49,088 | 49,175 | 49,263 |
| | | B | 55,545 | 55,646 | 55,746 | 55,847 | 55,948 | 56,048 | 56,149 | 56,249 | 56,350 | 56,451 | 56,551 | 56,652 |
| | 7 | A | 49,350 | 49,438 | 49,525 | 49,613 | 49,700 | 49,788 | 49,875 | 49,963 | 50,050 | 50,138 | 50,225 | 50,313 |
| | | B | 56,753 | 56,853 | 56,954 | 57,054 | 57,155 | 57,256 | 57,356 | 57,457 | 57,558 | 57,658 | 57,759 | 57,859 |
| | 8 | A | 50,400 | 50,488 | 50,575 | 50,663 | 50,750 | 50,838 | 50,925 | 51,013 | 51,100 | 51,188 | 51,275 | 51,363 |
| | | B | 57,960 | 58,061 | 58,161 | 58,262 | 58,363 | 58,463 | 58,564 | 58,664 | 58,765 | 58,866 | 58,966 | 59,067 |
| | 9 | A | 51,450 | 51,538 | 51,625 | 51,713 | 51,800 | 51,888 | 51,975 | 52,063 | 52,150 | 52,238 | 52,325 | 52,413 |
| | | B | 59,168 | 59,268 | 59,369 | 59,469 | 59,570 | 59,671 | 59,771 | 59,872 | 59,973 | 60,073 | 60,174 | 60,274 |
| | 10 | A | 52,500 | 52,588 | 52,675 | 52,763 | 52,850 | 52,938 | 53,025 | 53,113 | 53,200 | 53,288 | 53,375 | 53,463 |
| | | B | 60,375 | 60,476 | 60,576 | 60,677 | 60,778 | 60,878 | 60,979 | 61,079 | 61,180 | 61,281 | 61,381 | 61,482 |
| | 11 | A | 53,550 | 53,638 | 53,725 | 53,813 | 53,900 | 53,988 | 54,075 | 54,163 | 54,250 | 54,338 | 54,425 | 54,513 |
| | | B | 61,583 | 61,683 | 61,784 | 61,884 | 61,985 | 62,086 | 62,186 | 62,287 | 62,388 | 62,488 | 62,589 | 62,689 |
| | 12 | A | 54,600 | 54,688 | 54,775 | 54,863 | 54,950 | 55,038 | 55,125 | 55,213 | 55,300 | 55,388 | 55,475 | 55,563 |
| | | B | 62,790 | 62,891 | 62,991 | 63,092 | 63,193 | 63,293 | 63,394 | 63,494 | 63,595 | 63,696 | 63,796 | 63,897 |
| | 13 | A | 55,650 | 55,738 | 55,825 | 55,913 | 56,000 | 56,088 | 56,175 | 56,263 | 56,350 | 56,438 | 56,525 | 56,613 |
| | | B | 63,998 | 64,098 | 64,199 | 64,299 | 64,400 | 64,501 | 64,601 | 64,702 | 64,803 | 64,903 | 65,004 | 65,104 |
| | 14 | A | 56,700 | 56,788 | 56,875 | 56,963 | 57,050 | 57,138 | 57,225 | 57,313 | 57,400 | 57,488 | 57,575 | 57,663 |
| | | B | 65,205 | 65,306 | 65,406 | 65,507 | 65,608 | 65,708 | 65,809 | 65,909 | 66,010 | 66,111 | 66,211 | 66,312 |
| | 15 | A | 57,750 | 57,838 | 57,925 | 58,013 | 58,100 | 58,188 | 58,275 | 58,363 | 58,450 | 58,538 | 58,625 | 58,713 |
| | | B | 66,413 | 66,513 | 66,614 | 66,714 | 66,815 | 66,916 | 67,016 | 67,117 | 67,218 | 67,318 | 67,419 | 67,519 |
| | 16 | A | 58,800 | 58,888 | 58,975 | 59,063 | 59,150 | 59,238 | 59,325 | 59,413 | 59,500 | 59,588 | 59,675 | 59,763 |
| | | B | 67,620 | 67,721 | 67,821 | 67,922 | 68,023 | 68,123 | 68,224 | 68,324 | 68,425 | 68,526 | 68,626 | 68,727 |
| | 17 | A | 59,850 | 59,938 | 60,025 | 60,113 | 60,200 | 60,288 | 60,375 | 60,463 | 60,550 | 60,638 | 60,725 | 60,813 |
| | | B | 68,828 | 68,928 | 69,029 | 69,129 | 69,230 | 69,331 | 69,431 | 69,532 | 69,633 | 69,733 | 69,834 | 69,934 |
| | 18 | A | 60,900 | | | | | | | | | | | |
| | | B | 70,035 | | | | | | | | | | | |

Computation Formula: Weight = 1.5 X 700 (L + 40)

(L = Distance between the center of the front axle and the center of the rear axle of a given group.)

Legend:

Line A: Four tires per axle or two 14-inch wide tires. Value is the formula weight only.

Line B: Eight tires per axle or four 14-inch wide tires. Value is the formula weight plus 15%.

Historical Note

New Table made by final rulemaking at 9 A.A.R. 665, effective April 8, 2003 (Supp. 03-1). Table amended by final rulemaking at 19 A.A.R. 2486, effective September 7, 2013 (Supp. 13-3).

Table 3.02. Maximum Permitted Weight Computations: Axle Width - 8 Feet 3 Inches
Overweight Axle Group Chart

Distance between the center of the front axle and the center of the rear axle of a given group.

| | | Inches | | | | | | | | | | | | |
|------|----|--------|--------|--------|--------|--------|--------|--------|--------|--------|--------|--------|--------|--------|
| | | 0 | 1 | 2 | 3 | 4 | 5 | 6 | 7 | 8 | 9 | 10 | 11 | |
| Feet | 3 | A | 28,525 | 28,525 | 28,525 | 28,525 | 28,525 | 28,525 | 46,531 | 46,621 | 46,710 | 46,799 | 46,888 | 46,977 |
| | | B | 32,550 | 32,550 | 32,550 | 32,550 | 32,550 | 32,550 | 53,097 | 53,199 | 53,301 | 53,402 | 53,504 | 53,606 |
| | 4 | A | 47,066 | 47,155 | 47,245 | 47,334 | 47,423 | 47,512 | 47,601 | 47,690 | 47,779 | 47,869 | 47,958 | 48,047 |
| | | B | 53,708 | 53,809 | 53,911 | 54,013 | 54,114 | 54,216 | 54,318 | 54,420 | 54,521 | 54,623 | 54,725 | 54,826 |
| | 5 | A | 48,136 | 48,225 | 48,314 | 48,403 | 48,493 | 48,582 | 48,671 | 48,760 | 48,849 | 48,938 | 49,027 | 49,116 |
| | | B | 54,928 | 55,030 | 55,132 | 55,233 | 55,335 | 55,437 | 55,538 | 55,640 | 55,742 | 55,844 | 55,945 | 56,047 |
| | 6 | A | 49,206 | 49,295 | 49,384 | 49,473 | 49,562 | 49,651 | 49,740 | 49,830 | 49,919 | 50,008 | 50,097 | 50,186 |
| | | B | 56,149 | 56,250 | 56,352 | 56,454 | 56,556 | 56,657 | 56,759 | 56,861 | 56,963 | 57,064 | 57,166 | 57,268 |
| | 7 | A | 50,275 | 50,364 | 50,454 | 50,543 | 50,632 | 50,721 | 50,810 | 50,899 | 50,988 | 51,078 | 51,167 | 51,256 |
| | | B | 57,369 | 57,471 | 57,573 | 57,675 | 57,776 | 57,878 | 57,980 | 58,081 | 58,183 | 58,285 | 58,387 | 58,488 |
| | 8 | A | 51,345 | 51,434 | 51,523 | 51,612 | 51,702 | 51,791 | 51,880 | 51,969 | 52,058 | 52,147 | 52,236 | 52,326 |
| | | B | 58,590 | 58,692 | 58,793 | 58,895 | 58,997 | 59,099 | 59,200 | 59,302 | 59,404 | 59,505 | 59,607 | 59,709 |
| | 9 | A | 52,415 | 52,504 | 52,593 | 52,682 | 52,771 | 52,860 | 52,950 | 53,039 | 53,128 | 53,217 | 53,306 | 53,395 |
| | | B | 59,811 | 59,912 | 60,014 | 60,116 | 60,218 | 60,319 | 60,421 | 60,523 | 60,624 | 60,726 | 60,828 | 60,930 |
| | 10 | A | 53,484 | 53,574 | 53,663 | 53,752 | 53,841 | 53,930 | 54,019 | 54,108 | 54,198 | 54,287 | 54,376 | 54,465 |
| | | B | 61,031 | 61,133 | 61,235 | 61,336 | 61,438 | 61,540 | 61,642 | 61,743 | 61,845 | 61,947 | 62,048 | 62,150 |
| | 11 | A | 54,554 | 54,643 | 54,732 | 54,821 | 54,911 | 55,000 | 55,089 | 55,178 | 55,267 | 55,356 | 55,445 | 55,535 |
| | | B | 62,252 | 62,354 | 62,455 | 62,557 | 62,659 | 62,760 | 62,862 | 62,964 | 63,066 | 63,167 | 63,269 | 63,371 |
| | 12 | A | 55,624 | 55,713 | 55,802 | 55,891 | 55,980 | 56,069 | 56,159 | 56,248 | 56,337 | 56,426 | 56,515 | 56,604 |
| | | B | 63,473 | 63,574 | 63,676 | 63,778 | 63,879 | 63,981 | 64,083 | 64,185 | 64,286 | 64,388 | 64,490 | 64,591 |
| | 13 | A | 56,693 | 56,783 | 56,872 | 56,961 | 57,050 | 57,139 | 57,228 | 57,317 | 57,407 | 57,496 | 57,585 | 57,674 |
| | | B | 64,693 | 64,795 | 64,897 | 64,998 | 65,100 | 65,202 | 65,303 | 65,405 | 65,507 | 65,609 | 65,710 | 65,812 |
| | 14 | A | 57,763 | 57,852 | 57,941 | 58,031 | 58,120 | 58,209 | 58,298 | 58,387 | 58,476 | 58,565 | 58,655 | 58,744 |
| | | B | 65,914 | 66,015 | 66,117 | 66,219 | 66,321 | 66,422 | 66,524 | 66,626 | 66,728 | 66,829 | 66,931 | 67,033 |
| | 15 | A | 58,833 | 58,922 | 59,011 | 59,100 | 59,189 | 59,279 | 59,368 | 59,457 | 59,546 | 59,635 | 59,724 | 59,813 |
| | | B | 67,134 | 67,236 | 67,338 | 67,440 | 67,541 | 67,643 | 67,745 | 67,846 | 67,948 | 68,050 | 68,152 | 68,253 |
| | 16 | A | 59,903 | 59,992 | 60,081 | 60,170 | 60,259 | 60,348 | 60,437 | 60,526 | 60,616 | 60,705 | 60,794 | 60,883 |
| | | B | 68,355 | 68,457 | 68,558 | 68,660 | 68,762 | 68,864 | 68,965 | 69,067 | 69,169 | 69,270 | 69,372 | 69,474 |
| | 17 | A | 60,972 | 61,061 | 61,150 | 61,240 | 61,329 | 61,418 | 61,507 | 61,596 | 61,685 | 61,774 | 61,864 | 61,953 |
| | | B | 69,576 | 69,677 | 69,779 | 69,881 | 69,983 | 70,084 | 70,186 | 70,288 | 70,389 | 70,491 | 70,593 | 70,695 |
| | 18 | A | 62,042 | | | | | | | | | | | |
| | | B | 70,796 | | | | | | | | | | | |

Computation Formula: Weight = 1.5 X 700 (L + 40)
(L = Distance between the center of the front axle and the center of the rear axle of a given group.)

Legend:
Line A: Four tires per axle or two 14-inch wide tires. Value is the formula weight plus 1.875%.
Line B: Eight tires per axle or four 14-inch wide tires. Value is the formula weight plus 16.25%.

Historical Note

New Table made by final rulemaking at 9 A.A.R. 665, effective April 8, 2003 (Supp. 03-1). Table amended by final rulemaking at 19 A.A.R. 2486, effective September 7, 2013 (Supp. 13-3).

Department of Transportation – Oversize and Overweight Special Permits

Table 3.03. Maximum Permitted Weight Computations: Axle Width - 8 Feet 6 Inches
Overweight Axle Group Chart

Distance between the center of the front axle and the center of the rear axle of a given group.

| | | Inches | | | | | | | | | | | | |
|------|----|--------|--------|--------|--------|--------|--------|--------|--------|--------|--------|--------|--------|--------|
| | | 0 | 1 | 2 | 3 | 4 | 5 | 6 | 7 | 8 | 9 | 10 | 11 | |
| Feet | 3 | A | 29,050 | 29,050 | 29,050 | 29,050 | 29,050 | 29,050 | 47,388 | 47,479 | 47,569 | 47,660 | 47,751 | 47,842 |
| | | B | 32,900 | 32,900 | 32,900 | 32,900 | 32,900 | 32,900 | 53,668 | 53,771 | 53,874 | 53,977 | 54,079 | 54,182 |
| | 4 | A | 47,933 | 48,023 | 48,114 | 48,205 | 48,296 | 48,386 | 48,477 | 48,568 | 48,659 | 48,750 | 48,840 | 48,931 |
| | | B | 54,285 | 54,388 | 54,491 | 54,593 | 54,696 | 54,799 | 54,902 | 55,005 | 55,108 | 55,210 | 55,313 | 55,416 |
| | 5 | A | 49,022 | 49,113 | 49,203 | 49,294 | 49,385 | 49,476 | 49,567 | 49,657 | 49,748 | 49,839 | 49,930 | 50,020 |
| | | B | 55,519 | 55,622 | 55,724 | 55,827 | 55,930 | 56,033 | 56,136 | 56,238 | 56,341 | 56,444 | 56,547 | 56,650 |
| | 6 | A | 50,111 | 50,202 | 50,293 | 50,384 | 50,474 | 50,565 | 50,656 | 50,747 | 50,838 | 50,928 | 51,019 | 51,110 |
| | | B | 56,753 | 56,855 | 56,958 | 57,061 | 57,164 | 57,267 | 57,369 | 57,472 | 57,575 | 57,678 | 57,781 | 57,883 |
| | 7 | A | 51,201 | 51,291 | 51,382 | 51,473 | 51,564 | 51,655 | 51,745 | 51,836 | 51,927 | 52,018 | 52,108 | 52,199 |
| | | B | 57,986 | 58,089 | 58,192 | 58,295 | 58,398 | 58,500 | 58,603 | 58,706 | 58,809 | 58,912 | 59,014 | 59,117 |
| | 8 | A | 52,290 | 52,381 | 52,472 | 52,562 | 52,653 | 52,744 | 52,835 | 52,925 | 53,016 | 53,107 | 53,198 | 53,289 |
| | | B | 59,220 | 59,323 | 59,426 | 59,528 | 59,631 | 59,734 | 59,837 | 59,940 | 60,043 | 60,145 | 60,248 | 60,351 |
| | 9 | A | 53,379 | 53,470 | 53,561 | 53,652 | 53,743 | 53,833 | 53,924 | 54,015 | 54,106 | 54,196 | 54,287 | 54,378 |
| | | B | 60,454 | 60,557 | 60,659 | 60,762 | 60,865 | 60,968 | 61,071 | 61,173 | 61,276 | 61,379 | 61,482 | 61,585 |
| | 10 | A | 54,469 | 54,560 | 54,650 | 54,741 | 54,832 | 54,923 | 55,013 | 55,104 | 55,195 | 55,286 | 55,377 | 55,467 |
| | | B | 61,688 | 61,790 | 61,893 | 61,996 | 62,099 | 62,202 | 62,304 | 62,407 | 62,510 | 62,613 | 62,716 | 62,818 |
| | 11 | A | 55,558 | 55,649 | 55,740 | 55,830 | 55,921 | 56,012 | 56,103 | 56,194 | 56,284 | 56,375 | 56,466 | 56,557 |
| | | B | 62,921 | 63,024 | 63,127 | 63,230 | 63,333 | 63,435 | 63,538 | 63,641 | 63,744 | 63,847 | 63,949 | 64,052 |
| | 12 | A | 56,648 | 56,738 | 56,829 | 56,920 | 57,011 | 57,101 | 57,192 | 57,283 | 57,374 | 57,465 | 57,555 | 57,646 |
| | | B | 64,155 | 64,258 | 64,361 | 64,463 | 64,566 | 64,669 | 64,772 | 64,875 | 64,978 | 65,080 | 65,183 | 65,286 |
| | 13 | A | 57,737 | 57,828 | 57,918 | 58,009 | 58,100 | 58,191 | 58,282 | 58,372 | 58,463 | 58,554 | 58,645 | 58,735 |
| | | B | 65,389 | 65,492 | 65,594 | 65,697 | 65,800 | 65,903 | 66,006 | 66,108 | 66,211 | 66,314 | 66,417 | 66,520 |
| | 14 | A | 58,826 | 58,917 | 59,008 | 59,099 | 59,189 | 59,280 | 59,371 | 59,462 | 59,553 | 59,643 | 59,734 | 59,825 |
| | | B | 66,623 | 66,725 | 66,828 | 66,931 | 67,034 | 67,137 | 67,239 | 67,342 | 67,445 | 67,548 | 67,651 | 67,753 |
| | 15 | A | 59,916 | 60,006 | 60,097 | 60,188 | 60,279 | 60,370 | 60,460 | 60,551 | 60,642 | 60,733 | 60,823 | 60,914 |
| | | B | 67,856 | 67,959 | 68,062 | 68,165 | 68,268 | 68,370 | 68,473 | 68,576 | 68,679 | 68,782 | 68,884 | 68,987 |
| | 16 | A | 61,005 | 61,096 | 61,187 | 61,277 | 61,368 | 61,459 | 61,550 | 61,640 | 61,731 | 61,822 | 61,913 | 62,004 |
| | | B | 69,090 | 69,193 | 69,296 | 69,398 | 69,501 | 69,604 | 69,707 | 69,810 | 69,913 | 70,015 | 70,118 | 70,221 |
| | 17 | A | 62,094 | 62,185 | 62,276 | 62,367 | 62,458 | 62,548 | 62,639 | 62,730 | 62,821 | 62,911 | 63,002 | 63,093 |
| | | B | 70,324 | 70,427 | 70,529 | 70,632 | 70,735 | 70,838 | 70,941 | 71,043 | 71,146 | 71,249 | 71,352 | 71,455 |
| | 18 | A | 63,184 | | | | | | | | | | | |
| | | B | 71,558 | | | | | | | | | | | |

Computation Formula: Weight = 1.5 X 700 (L + 40)
(L = Distance between the center of the front axle and the center of the rear axle of a given group.)

Legend:
Line A: Four tires per axle or two 14-inch wide tires. Value is the formula weight plus 3.75%.
Line B: Eight tires per axle or four 14-inch wide tires. Value is the formula weight plus 17.5%.

Historical Note

New Table made by final rulemaking at 9 A.A.R. 665, effective April 8, 2003 (Supp. 03-1). Table amended by final rulemaking at 19 A.A.R. 2486, effective September 7, 2013 (Supp. 13-3).

Table 3.04. Maximum Permitted Weight Computations: Axle Width - 8 Feet 9 Inches
Overweight Axle Group Chart

Distance between the center of the front axle and the center of the rear axle of a given group.

| | | Inches | | | | | | | | | | | | |
|------|----|--------|--------|--------|--------|--------|--------|--------|--------|--------|--------|--------|--------|--------|
| | | 0 | 1 | 2 | 3 | 4 | 5 | 6 | 7 | 8 | 9 | 10 | 11 | |
| Feet | 3 | A | 29,575 | 29,575 | 29,575 | 29,575 | 29,575 | 29,575 | 48,244 | 48,337 | 48,429 | 48,521 | 48,614 | 48,706 |
| | | B | 33,250 | 33,250 | 33,250 | 33,250 | 33,250 | 33,250 | 54,239 | 54,343 | 54,447 | 54,551 | 54,655 | 54,759 |
| | 4 | A | 48,799 | 48,891 | 48,984 | 49,076 | 49,168 | 49,261 | 49,353 | 49,446 | 49,538 | 49,631 | 49,723 | 49,815 |
| | | B | 54,863 | 54,966 | 55,070 | 55,174 | 55,278 | 55,382 | 55,486 | 55,590 | 55,694 | 55,798 | 55,902 | 56,005 |
| | 5 | A | 49,908 | 50,000 | 50,093 | 50,185 | 50,278 | 50,370 | 50,462 | 50,555 | 50,647 | 50,740 | 50,832 | 50,924 |
| | | B | 56,109 | 56,213 | 56,317 | 56,421 | 56,525 | 56,629 | 56,733 | 56,837 | 56,941 | 57,045 | 57,148 | 57,252 |
| | 6 | A | 51,017 | 51,109 | 51,202 | 51,294 | 51,387 | 51,479 | 51,571 | 51,664 | 51,756 | 51,849 | 51,941 | 52,034 |
| | | B | 57,356 | 57,460 | 57,564 | 57,668 | 57,772 | 57,876 | 57,980 | 58,084 | 58,188 | 58,291 | 58,395 | 58,499 |
| | 7 | A | 52,126 | 52,218 | 52,311 | 52,403 | 52,496 | 52,588 | 52,680 | 52,773 | 52,865 | 52,958 | 53,050 | 53,143 |
| | | B | 58,603 | 58,707 | 58,811 | 58,915 | 59,019 | 59,123 | 59,227 | 59,330 | 59,434 | 59,538 | 59,642 | 59,746 |
| | 8 | A | 53,235 | 53,327 | 53,420 | 53,512 | 53,605 | 53,697 | 53,790 | 53,882 | 53,974 | 54,067 | 54,159 | 54,252 |
| | | B | 59,850 | 59,954 | 60,058 | 60,162 | 60,266 | 60,370 | 60,473 | 60,577 | 60,681 | 60,785 | 60,889 | 60,993 |
| | 9 | A | 54,344 | 54,436 | 54,529 | 54,621 | 54,714 | 54,806 | 54,899 | 54,991 | 55,083 | 55,176 | 55,268 | 55,361 |
| | | B | 61,097 | 61,201 | 61,305 | 61,409 | 61,513 | 61,616 | 61,720 | 61,824 | 61,928 | 62,032 | 62,136 | 62,240 |
| | 10 | A | 55,453 | 55,546 | 55,638 | 55,730 | 55,823 | 55,915 | 56,008 | 56,100 | 56,193 | 56,285 | 56,377 | 56,470 |
| | | B | 62,344 | 62,448 | 62,552 | 62,655 | 62,759 | 62,863 | 62,967 | 63,071 | 63,175 | 63,279 | 63,383 | 63,487 |
| | 11 | A | 56,562 | 56,655 | 56,747 | 56,839 | 56,932 | 57,024 | 57,117 | 57,209 | 57,302 | 57,394 | 57,486 | 57,579 |
| | | B | 63,591 | 63,695 | 63,798 | 63,902 | 64,006 | 64,110 | 64,214 | 64,318 | 64,422 | 64,526 | 64,630 | 64,734 |
| | 12 | A | 57,671 | 57,764 | 57,856 | 57,949 | 58,041 | 58,133 | 58,226 | 58,318 | 58,411 | 58,503 | 58,595 | 58,688 |
| | | B | 64,838 | 64,941 | 65,045 | 65,149 | 65,253 | 65,357 | 65,461 | 65,565 | 65,669 | 65,773 | 65,877 | 65,980 |
| | 13 | A | 58,780 | 58,873 | 58,965 | 59,058 | 59,150 | 59,242 | 59,335 | 59,427 | 59,520 | 59,612 | 59,705 | 59,797 |
| | | B | 66,084 | 66,188 | 66,292 | 66,396 | 66,500 | 66,604 | 66,708 | 66,812 | 66,916 | 67,020 | 67,123 | 67,227 |
| | 14 | A | 59,889 | 59,982 | 60,074 | 60,167 | 60,259 | 60,351 | 60,444 | 60,536 | 60,629 | 60,721 | 60,814 | 60,906 |
| | | B | 67,331 | 67,435 | 67,539 | 67,643 | 67,747 | 67,851 | 67,955 | 68,059 | 68,163 | 68,266 | 68,370 | 68,474 |
| | 15 | A | 60,998 | 61,091 | 61,183 | 61,276 | 61,368 | 61,461 | 61,553 | 61,645 | 61,738 | 61,830 | 61,923 | 62,015 |
| | | B | 68,578 | 68,682 | 68,786 | 68,890 | 68,994 | 69,098 | 69,202 | 69,305 | 69,409 | 69,513 | 69,617 | 69,721 |
| | 16 | A | 62,108 | 62,200 | 62,292 | 62,385 | 62,477 | 62,570 | 62,662 | 62,754 | 62,847 | 62,939 | 63,032 | 63,124 |
| | | B | 69,825 | 69,929 | 70,033 | 70,137 | 70,241 | 70,345 | 70,448 | 70,552 | 70,656 | 70,760 | 70,864 | 70,968 |
| | 17 | A | 63,217 | 63,309 | 63,401 | 63,494 | 63,586 | 63,679 | 63,771 | 63,864 | 63,956 | 64,048 | 64,141 | 64,233 |
| | | B | 71,072 | 71,176 | 71,280 | 71,384 | 71,488 | 71,591 | 71,695 | 71,799 | 71,903 | 72,007 | 72,111 | 72,215 |
| | 18 | A | 64,326 | | | | | | | | | | | |
| | | B | 72,319 | | | | | | | | | | | |

Computation Formula: Weight = 1.5 X 700 (L + 40)
(L = Distance between the center of the front axle and the center of the rear axle of a given group.)

Legend:
Line A: Four tires per axle or two 14-inch wide tires. Value is the formula weight plus 5.625%.
Line B: Eight tires per axle or four 14-inch wide tires. Value is the formula weight plus 18.75%.

Historical Note

New Table made by final rulemaking at 9 A.A.R. 665, effective April 8, 2003 (Supp. 03-1). Table amended by final rulemaking at 19 A.A.R. 2486, effective September 7, 2013 (Supp. 13-3).

Department of Transportation – Oversize and Overweight Special Permits

Table 3.05. Maximum Permitted Weight Computations: Axle Width - 9 Feet
Overweight Axle Group Chart

Distance between the center of the front axle and the center of the rear axle of a given group.

| | | Inches | | | | | | | | | | | | |
|------|----|--------|--------|--------|--------|--------|--------|--------|--------|--------|--------|--------|--------|--------|
| | | 0 | 1 | 2 | 3 | 4 | 5 | 6 | 7 | 8 | 9 | 10 | 11 | |
| Feet | 3 | A | 30,100 | 30,100 | 30,100 | 30,100 | 30,100 | 30,100 | 49,101 | 49,195 | 49,289 | 49,383 | 49,477 | 49,571 |
| | | B | 33,600 | 33,600 | 33,600 | 33,600 | 33,600 | 33,600 | 54,810 | 54,915 | 55,020 | 55,125 | 55,230 | 55,335 |
| | 4 | A | 49,665 | 49,759 | 49,853 | 49,947 | 50,041 | 50,135 | 50,229 | 50,323 | 50,418 | 50,512 | 50,606 | 50,700 |
| | | B | 55,440 | 55,545 | 55,650 | 55,755 | 55,860 | 55,965 | 56,070 | 56,175 | 56,280 | 56,385 | 56,490 | 56,595 |
| | 5 | A | 50,794 | 50,888 | 50,982 | 51,076 | 51,170 | 51,264 | 51,358 | 51,452 | 51,546 | 51,640 | 51,734 | 51,828 |
| | | B | 56,700 | 56,805 | 56,910 | 57,015 | 57,120 | 57,225 | 57,330 | 57,435 | 57,540 | 57,645 | 57,750 | 57,855 |
| | 6 | A | 51,923 | 52,017 | 52,111 | 52,205 | 52,299 | 52,393 | 52,487 | 52,581 | 52,675 | 52,769 | 52,863 | 52,957 |
| | | B | 57,960 | 58,065 | 58,170 | 58,275 | 58,380 | 58,485 | 58,590 | 58,695 | 58,800 | 58,905 | 59,010 | 59,115 |
| | 7 | A | 53,051 | 53,145 | 53,239 | 53,333 | 53,428 | 53,522 | 53,616 | 53,710 | 53,804 | 53,898 | 53,992 | 54,086 |
| | | B | 59,220 | 59,325 | 59,430 | 59,535 | 59,640 | 59,745 | 59,850 | 59,955 | 60,060 | 60,165 | 60,270 | 60,375 |
| | 8 | A | 54,180 | 54,274 | 54,368 | 54,462 | 54,556 | 54,650 | 54,744 | 54,838 | 54,933 | 55,027 | 55,121 | 55,215 |
| | | B | 60,480 | 60,585 | 60,690 | 60,795 | 60,900 | 61,005 | 61,110 | 61,215 | 61,320 | 61,425 | 61,530 | 61,635 |
| | 9 | A | 55,309 | 55,403 | 55,497 | 55,591 | 55,685 | 55,779 | 55,873 | 55,967 | 56,061 | 56,155 | 56,249 | 56,343 |
| | | B | 61,740 | 61,845 | 61,950 | 62,055 | 62,160 | 62,265 | 62,370 | 62,475 | 62,580 | 62,685 | 62,790 | 62,895 |
| | 10 | A | 56,438 | 56,532 | 56,626 | 56,720 | 56,814 | 56,908 | 57,002 | 57,096 | 57,190 | 57,284 | 57,378 | 57,472 |
| | | B | 63,000 | 63,105 | 63,210 | 63,315 | 63,420 | 63,525 | 63,630 | 63,735 | 63,840 | 63,945 | 64,050 | 64,155 |
| | 11 | A | 57,566 | 57,660 | 57,754 | 57,848 | 57,943 | 58,037 | 58,131 | 58,225 | 58,319 | 58,413 | 58,507 | 58,601 |
| | | B | 64,260 | 64,365 | 64,470 | 64,575 | 64,680 | 64,785 | 64,890 | 64,995 | 65,100 | 65,205 | 65,310 | 65,415 |
| | 12 | A | 58,695 | 58,789 | 58,883 | 58,977 | 59,071 | 59,165 | 59,259 | 59,353 | 59,448 | 59,542 | 59,636 | 59,730 |
| | | B | 65,520 | 65,625 | 65,730 | 65,835 | 65,940 | 66,045 | 66,150 | 66,255 | 66,360 | 66,465 | 66,570 | 66,675 |
| | 13 | A | 59,824 | 59,918 | 60,012 | 60,106 | 60,200 | 60,294 | 60,388 | 60,482 | 60,576 | 60,670 | 60,764 | 60,858 |
| | | B | 66,780 | 66,885 | 66,990 | 67,095 | 67,200 | 67,305 | 67,410 | 67,515 | 67,620 | 67,725 | 67,830 | 67,935 |
| | 14 | A | 60,953 | 61,047 | 61,141 | 61,235 | 61,329 | 61,423 | 61,517 | 61,611 | 61,705 | 61,799 | 61,893 | 61,987 |
| | | B | 68,040 | 68,145 | 68,250 | 68,355 | 68,460 | 68,565 | 68,670 | 68,775 | 68,880 | 68,985 | 69,090 | 69,195 |
| | 15 | A | 62,081 | 62,175 | 62,269 | 62,363 | 62,458 | 62,552 | 62,646 | 62,740 | 62,834 | 62,928 | 63,022 | 63,116 |
| | | B | 69,300 | 69,405 | 69,510 | 69,615 | 69,720 | 69,825 | 69,930 | 70,035 | 70,140 | 70,245 | 70,350 | 70,455 |
| | 16 | A | 63,210 | 63,304 | 63,398 | 63,492 | 63,586 | 63,680 | 63,774 | 63,868 | 63,963 | 64,057 | 64,151 | 64,245 |
| | | B | 70,560 | 70,665 | 70,770 | 70,875 | 70,980 | 71,085 | 71,190 | 71,295 | 71,400 | 71,505 | 71,610 | 71,715 |
| | 17 | A | 64,339 | 64,433 | 64,527 | 64,621 | 64,715 | 64,809 | 64,903 | 64,997 | 65,091 | 65,185 | 65,279 | 65,373 |
| | | B | 71,820 | 71,925 | 72,030 | 72,135 | 72,240 | 72,345 | 72,450 | 72,555 | 72,660 | 72,765 | 72,870 | 72,975 |
| | 18 | A | 65,468 | | | | | | | | | | | |
| | | B | 73,080 | | | | | | | | | | | |

Computation Formula: Weight = 1.5 X 700 (L + 40)
(L = Distance between the center of the front axle and the center of the rear axle of a given group.)

Legend:
Line A: Four tires per axle or two 14-inch wide tires. Value is the formula weight plus 7.5%.
Line B: Eight tires per axle or four 14-inch wide tires. Value is the formula weight plus 20%.

Historical Note

New Table made by final rulemaking at 9 A.A.R. 665, effective April 8, 2003 (Supp. 03-1). Table amended by final rulemaking at 19 A.A.R. 2486, effective September 7, 2013 (Supp. 13-3).

Table 3.06. Maximum Permitted Weight Computations: Axle Width - 9 Feet 3 Inches
Overweight Axle Group Chart

Distance between the center of the front axle and the center of the rear axle of a given group.

| | | Inches | | | | | | | | | | | | |
|------|----|--------|--------|--------|--------|--------|--------|--------|--------|--------|--------|--------|--------|--------|
| | | 0 | 1 | 2 | 3 | 4 | 5 | 6 | 7 | 8 | 9 | 10 | 11 | |
| Feet | 3 | A | 30,625 | 30,625 | 30,625 | 30,625 | 30,625 | 30,625 | 49,957 | 50,053 | 50,148 | 50,244 | 50,340 | 50,436 |
| | | B | 33,950 | 33,950 | 33,950 | 33,950 | 33,950 | 33,950 | 55,381 | 55,487 | 55,593 | 55,699 | 55,805 | 55,911 |
| | 4 | A | 50,531 | 50,627 | 50,723 | 50,818 | 50,914 | 51,010 | 51,105 | 51,201 | 51,297 | 51,393 | 51,488 | 51,584 |
| | | B | 56,018 | 56,124 | 56,230 | 56,336 | 56,442 | 56,548 | 56,654 | 56,760 | 56,866 | 56,972 | 57,078 | 57,185 |
| | 5 | A | 51,680 | 51,775 | 51,871 | 51,967 | 52,063 | 52,158 | 52,254 | 52,350 | 52,445 | 52,541 | 52,637 | 52,732 |
| | | B | 57,291 | 57,397 | 57,503 | 57,609 | 57,715 | 57,821 | 57,927 | 58,033 | 58,139 | 58,245 | 58,352 | 58,458 |
| | 6 | A | 52,828 | 52,924 | 53,020 | 53,115 | 53,211 | 53,307 | 53,402 | 53,498 | 53,594 | 53,689 | 53,785 | 53,881 |
| | | B | 58,564 | 58,670 | 58,776 | 58,882 | 58,988 | 59,094 | 59,200 | 59,306 | 59,413 | 59,519 | 59,625 | 59,731 |
| | 7 | A | 53,977 | 54,072 | 54,168 | 54,264 | 54,359 | 54,455 | 54,551 | 54,646 | 54,742 | 54,838 | 54,934 | 55,029 |
| | | B | 59,837 | 59,943 | 60,049 | 60,155 | 60,261 | 60,367 | 60,473 | 60,580 | 60,686 | 60,792 | 60,898 | 61,004 |
| | 8 | A | 55,125 | 55,221 | 55,316 | 55,412 | 55,508 | 55,604 | 55,699 | 55,795 | 55,891 | 55,986 | 56,082 | 56,178 |
| | | B | 61,110 | 61,216 | 61,322 | 61,428 | 61,534 | 61,640 | 61,747 | 61,853 | 61,959 | 62,065 | 62,171 | 62,277 |
| | 9 | A | 56,273 | 56,369 | 56,465 | 56,561 | 56,656 | 56,752 | 56,848 | 56,943 | 57,039 | 57,135 | 57,230 | 57,326 |
| | | B | 62,383 | 62,489 | 62,595 | 62,701 | 62,808 | 62,914 | 63,020 | 63,126 | 63,232 | 63,338 | 63,444 | 63,550 |
| | 10 | A | 57,422 | 57,518 | 57,613 | 57,709 | 57,805 | 57,900 | 57,996 | 58,092 | 58,188 | 58,283 | 58,379 | 58,475 |
| | | B | 63,656 | 63,762 | 63,868 | 63,975 | 64,081 | 64,187 | 64,293 | 64,399 | 64,505 | 64,611 | 64,717 | 64,823 |
| | 11 | A | 58,570 | 58,666 | 58,762 | 58,857 | 58,953 | 59,049 | 59,145 | 59,240 | 59,336 | 59,432 | 59,527 | 59,623 |
| | | B | 64,929 | 65,035 | 65,142 | 65,248 | 65,354 | 65,460 | 65,566 | 65,672 | 65,778 | 65,884 | 65,990 | 66,096 |
| | 12 | A | 59,719 | 59,814 | 59,910 | 60,006 | 60,102 | 60,197 | 60,293 | 60,389 | 60,484 | 60,580 | 60,676 | 60,771 |
| | | B | 66,203 | 66,309 | 66,415 | 66,521 | 66,627 | 66,733 | 66,839 | 66,945 | 67,051 | 67,157 | 67,263 | 67,370 |
| | 13 | A | 60,867 | 60,963 | 61,059 | 61,154 | 61,250 | 61,346 | 61,441 | 61,537 | 61,633 | 61,729 | 61,824 | 61,920 |
| | | B | 67,476 | 67,582 | 67,688 | 67,794 | 67,900 | 68,006 | 68,112 | 68,218 | 68,324 | 68,430 | 68,537 | 68,643 |
| | 14 | A | 62,016 | 62,111 | 62,207 | 62,303 | 62,398 | 62,494 | 62,590 | 62,686 | 62,781 | 62,877 | 62,973 | 63,068 |
| | | B | 68,749 | 68,855 | 68,961 | 69,067 | 69,173 | 69,279 | 69,385 | 69,491 | 69,598 | 69,704 | 69,810 | 69,916 |
| | 15 | A | 63,164 | 63,260 | 63,355 | 63,451 | 63,547 | 63,643 | 63,738 | 63,834 | 63,930 | 64,025 | 64,121 | 64,217 |
| | | B | 70,022 | 70,128 | 70,234 | 70,340 | 70,446 | 70,552 | 70,658 | 70,765 | 70,871 | 70,977 | 71,083 | 71,189 |
| | 16 | A | 64,313 | 64,408 | 64,504 | 64,600 | 64,695 | 64,791 | 64,887 | 64,982 | 65,078 | 65,174 | 65,270 | 65,365 |
| | | B | 71,295 | 71,401 | 71,507 | 71,613 | 71,719 | 71,825 | 71,932 | 72,038 | 72,144 | 72,250 | 72,356 | 72,462 |
| | 17 | A | 65,461 | 65,557 | 65,652 | 65,748 | 65,844 | 65,939 | 66,035 | 66,131 | 66,227 | 66,322 | 66,418 | 66,514 |
| | | B | 72,568 | 72,674 | 72,780 | 72,886 | 72,993 | 73,099 | 73,205 | 73,311 | 73,417 | 73,523 | 73,629 | 73,735 |
| | 18 | A | 66,609 | | | | | | | | | | | |
| | | B | 73,841 | | | | | | | | | | | |

Computation Formula: Weight = 1.5 X 700 (L + 40)
(L = Distance between the center of the front axle and the center of the rear axle of a given group.)

Legend:
Line A: Four tires per axle or two 14-inch wide tires. Value is the formula weight plus 9.375%.
Line B: Eight tires per axle or four 14-inch wide tires. Value is the formula weight plus 21.25%.

Historical Note

New Table made by final rulemaking at 9 A.A.R. 665, effective April 8, 2003 (Supp. 03-1). Table amended by final rulemaking at 19 A.A.R. 2486, effective September 7, 2013 (Supp. 13-3).

Department of Transportation – Oversize and Overweight Special Permits

Table 3.07. Maximum Permitted Weight Computations: Axle Width - 9 Feet 6 Inches
Overweight Axle Group Chart

Distance between the center of the front axle and the center of the rear axle of a given group.

| | | Inches | | | | | | | | | | | | |
|------|----|--------|--------|--------|--------|--------|--------|--------|--------|--------|--------|--------|--------|--------|
| | | 0 | 1 | 2 | 3 | 4 | 5 | 6 | 7 | 8 | 9 | 10 | 11 | |
| Feet | 3 | A | 31,150 | 31,150 | 31,150 | 31,150 | 31,150 | 31,150 | 50,813 | 50,911 | 51,008 | 51,105 | 51,203 | 51,300 |
| | | B | 34,300 | 34,000 | 34,300 | 34,300 | 34,300 | 34,300 | 55,952 | 56,059 | 56,166 | 56,273 | 56,381 | 56,488 |
| | 4 | A | 51,398 | 51,495 | 51,592 | 51,690 | 51,787 | 51,884 | 51,982 | 52,079 | 52,176 | 52,274 | 52,371 | 52,468 |
| | | B | 56,595 | 56,702 | 56,809 | 56,917 | 57,024 | 57,131 | 57,238 | 57,345 | 57,453 | 57,560 | 57,667 | 57,774 |
| | 5 | A | 52,566 | 52,663 | 52,760 | 52,858 | 52,955 | 53,052 | 53,150 | 53,247 | 53,344 | 53,442 | 53,539 | 53,636 |
| | | B | 57,881 | 57,988 | 58,096 | 58,203 | 58,310 | 58,417 | 58,524 | 58,632 | 58,739 | 58,846 | 58,953 | 59,060 |
| | 6 | A | 53,734 | 53,831 | 53,928 | 54,026 | 54,123 | 54,220 | 54,318 | 54,415 | 54,513 | 54,610 | 54,707 | 54,805 |
| | | B | 59,168 | 59,275 | 59,382 | 59,489 | 59,596 | 59,703 | 59,811 | 59,918 | 60,025 | 60,132 | 60,239 | 60,347 |
| | 7 | A | 54,902 | 54,999 | 55,097 | 55,194 | 55,291 | 55,389 | 55,486 | 55,583 | 55,681 | 55,778 | 55,875 | 55,973 |
| | | B | 60,454 | 60,561 | 60,668 | 60,775 | 60,883 | 60,990 | 61,097 | 61,204 | 61,311 | 61,418 | 61,526 | 61,633 |
| | 8 | A | 56,070 | 56,167 | 56,265 | 56,362 | 56,459 | 56,557 | 56,654 | 56,751 | 56,849 | 56,946 | 57,043 | 57,141 |
| | | B | 61,740 | 61,847 | 61,954 | 62,062 | 62,169 | 62,276 | 62,383 | 62,490 | 62,598 | 62,705 | 62,812 | 62,919 |
| | 9 | A | 57,238 | 57,335 | 57,433 | 57,530 | 57,628 | 57,725 | 57,822 | 57,920 | 58,017 | 58,114 | 58,212 | 58,309 |
| | | B | 63,026 | 63,133 | 63,241 | 63,348 | 63,455 | 63,562 | 63,669 | 63,777 | 63,884 | 63,991 | 64,098 | 64,205 |
| | 10 | A | 58,406 | 58,504 | 58,601 | 58,698 | 58,796 | 58,893 | 58,990 | 59,088 | 59,185 | 59,282 | 59,380 | 59,477 |
| | | B | 64,313 | 64,420 | 64,527 | 64,634 | 64,741 | 64,848 | 64,956 | 65,063 | 65,170 | 65,277 | 65,384 | 65,492 |
| | 11 | A | 59,574 | 59,672 | 59,769 | 59,866 | 59,964 | 60,061 | 60,158 | 60,256 | 60,353 | 60,450 | 60,548 | 60,645 |
| | | B | 65,599 | 65,706 | 65,813 | 65,920 | 66,028 | 66,135 | 66,242 | 66,349 | 66,456 | 66,563 | 66,671 | 66,778 |
| | 12 | A | 60,743 | 60,840 | 60,937 | 61,035 | 61,132 | 61,229 | 61,327 | 61,424 | 61,521 | 61,619 | 61,716 | 61,813 |
| | | B | 66,885 | 66,992 | 67,099 | 67,207 | 67,314 | 67,421 | 67,528 | 67,635 | 67,743 | 67,850 | 67,957 | 68,064 |
| | 13 | A | 61,911 | 62,008 | 62,105 | 62,203 | 62,300 | 62,397 | 62,495 | 62,592 | 62,689 | 62,787 | 62,884 | 62,981 |
| | | B | 68,171 | 68,278 | 68,386 | 68,493 | 68,600 | 68,707 | 68,814 | 68,922 | 69,029 | 69,136 | 69,243 | 69,350 |
| | 14 | A | 63,079 | 63,176 | 63,273 | 63,371 | 63,468 | 63,565 | 63,663 | 63,760 | 63,858 | 63,955 | 64,052 | 64,150 |
| | | B | 69,458 | 69,565 | 69,672 | 69,779 | 69,886 | 69,993 | 70,101 | 70,208 | 70,315 | 70,422 | 70,529 | 70,637 |
| | 15 | A | 64,247 | 64,344 | 64,442 | 64,539 | 64,636 | 64,734 | 64,831 | 64,928 | 65,026 | 65,123 | 65,220 | 65,318 |
| | | B | 70,744 | 70,851 | 70,958 | 71,065 | 71,173 | 71,280 | 71,387 | 71,494 | 71,601 | 71,708 | 71,816 | 71,923 |
| | 16 | A | 65,415 | 65,512 | 65,610 | 65,707 | 65,804 | 65,902 | 65,999 | 66,096 | 66,194 | 66,291 | 66,388 | 66,486 |
| | | B | 72,030 | 72,137 | 72,244 | 72,352 | 72,459 | 72,566 | 72,673 | 72,780 | 72,888 | 72,995 | 73,102 | 73,209 |
| | 17 | A | 66,583 | 66,680 | 66,778 | 66,875 | 66,973 | 67,070 | 67,167 | 67,265 | 67,362 | 67,459 | 67,557 | 67,654 |
| | | B | 73,316 | 73,423 | 73,531 | 73,638 | 73,745 | 73,852 | 73,959 | 74,067 | 74,174 | 74,281 | 74,388 | 74,495 |
| | 18 | A | 67,751 | | | | | | | | | | | |
| | | B | 74,603 | | | | | | | | | | | |

Computation Formula: Weight = 1.5 X 700 (L + 40)
(L = Distance between the center of the front axle and the center of the rear axle of a given group.)

Legend:
Line A: Four tires per axle or two 14-inch wide tires. Value is the formula weight plus 11.25%.
Line B: Eight tires per axle or four 14-inch wide tires. Value is the formula weight plus 22.5%.

Historical Note

New Table made by final rulemaking at 9 A.A.R. 665, effective April 8, 2003 (Supp. 03-1). Table amended by final rulemaking at 19 A.A.R. 2486, effective September 7, 2013 (Supp. 13-3).

Table 3.08. Maximum Permitted Weight Computations: Axle Width - 9 Feet 9 Inches
Overweight Axle Group Chart

Distance between the center of the front axle and the center of the rear axle of a given group.

| | | Inches | | | | | | | | | | | | |
|------|----|--------|--------|--------|--------|--------|--------|--------|--------|--------|--------|--------|--------|--------|
| | | 0 | 1 | 2 | 3 | 4 | 5 | 6 | 7 | 8 | 9 | 10 | 11 | |
| Feet | 3 | A | 31,675 | 31,675 | 31,675 | 31,675 | 31,675 | 31,675 | 51,670 | 51,769 | 51,868 | 51,967 | 52,066 | 52,165 |
| | | B | 34,650 | 34,650 | 34,650 | 34,650 | 34,650 | 34,650 | 56,523 | 56,631 | 56,739 | 56,848 | 56,956 | 57,064 |
| | 4 | A | 52,264 | 52,363 | 52,462 | 52,561 | 52,660 | 52,759 | 52,858 | 52,957 | 53,056 | 53,155 | 53,254 | 53,353 |
| | | B | 57,173 | 57,281 | 57,389 | 57,497 | 57,606 | 57,714 | 57,822 | 57,930 | 58,039 | 58,147 | 58,255 | 58,364 |
| | 5 | A | 53,452 | 53,551 | 53,650 | 53,749 | 53,848 | 53,946 | 54,045 | 54,144 | 54,243 | 54,342 | 54,441 | 54,540 |
| | | B | 58,472 | 58,580 | 58,688 | 58,797 | 58,905 | 59,013 | 59,122 | 59,230 | 59,338 | 59,446 | 59,555 | 59,663 |
| | 6 | A | 54,639 | 54,738 | 54,837 | 54,936 | 55,035 | 55,134 | 55,233 | 55,332 | 55,431 | 55,530 | 55,629 | 55,728 |
| | | B | 59,771 | 59,880 | 59,988 | 60,096 | 60,204 | 60,313 | 60,421 | 60,529 | 60,638 | 60,746 | 60,854 | 60,962 |
| | 7 | A | 55,827 | 55,926 | 56,025 | 56,124 | 56,223 | 56,322 | 56,421 | 56,520 | 56,619 | 56,718 | 56,817 | 56,916 |
| | | B | 61,071 | 61,179 | 61,287 | 61,395 | 61,504 | 61,612 | 61,720 | 61,829 | 61,937 | 62,045 | 62,153 | 62,262 |
| | 8 | A | 57,015 | 57,114 | 57,213 | 57,312 | 57,411 | 57,510 | 57,609 | 57,708 | 57,807 | 57,906 | 58,005 | 58,104 |
| | | B | 62,370 | 62,478 | 62,587 | 62,695 | 62,803 | 62,911 | 63,020 | 63,128 | 63,236 | 63,345 | 63,453 | 63,561 |
| | 9 | A | 58,203 | 58,302 | 58,401 | 58,500 | 58,599 | 58,698 | 58,797 | 58,896 | 58,995 | 59,094 | 59,193 | 59,292 |
| | | B | 63,669 | 63,778 | 63,886 | 63,994 | 64,103 | 64,211 | 64,319 | 64,427 | 64,536 | 64,644 | 64,752 | 64,860 |
| | 10 | A | 59,391 | 59,490 | 59,589 | 59,688 | 59,787 | 59,886 | 59,985 | 60,084 | 60,183 | 60,281 | 60,380 | 60,479 |
| | | B | 64,969 | 65,077 | 65,185 | 65,294 | 65,402 | 65,510 | 65,618 | 65,727 | 65,835 | 65,943 | 66,052 | 66,160 |
| | 11 | A | 60,578 | 60,677 | 60,776 | 60,875 | 60,974 | 61,073 | 61,172 | 61,271 | 61,370 | 61,469 | 61,568 | 61,667 |
| | | B | 66,268 | 66,376 | 66,485 | 66,593 | 66,701 | 66,810 | 66,918 | 67,026 | 67,134 | 67,243 | 67,351 | 67,459 |
| | 12 | A | 61,766 | 61,865 | 61,964 | 62,063 | 62,162 | 62,261 | 62,360 | 62,459 | 62,558 | 62,657 | 62,756 | 62,855 |
| | | B | 67,568 | 67,676 | 67,784 | 67,892 | 68,001 | 68,109 | 68,217 | 68,325 | 68,434 | 68,542 | 68,650 | 68,759 |
| | 13 | A | 62,954 | 63,053 | 63,152 | 63,251 | 63,350 | 63,449 | 63,548 | 63,647 | 63,746 | 63,845 | 63,944 | 64,043 |
| | | B | 68,867 | 68,975 | 69,083 | 69,192 | 69,300 | 69,408 | 69,517 | 69,625 | 69,733 | 69,841 | 69,950 | 70,058 |
| | 14 | A | 64,142 | 64,241 | 64,340 | 64,439 | 64,538 | 64,637 | 64,736 | 64,835 | 64,934 | 65,033 | 65,132 | 65,231 |
| | | B | 70,166 | 70,275 | 70,383 | 70,491 | 70,599 | 70,708 | 70,816 | 70,924 | 71,033 | 71,141 | 71,249 | 71,357 |
| | 15 | A | 65,330 | 65,429 | 65,528 | 65,627 | 65,726 | 65,825 | 65,924 | 66,023 | 66,122 | 66,221 | 66,320 | 66,419 |
| | | B | 71,466 | 71,574 | 71,682 | 71,790 | 71,899 | 72,007 | 72,115 | 72,224 | 72,332 | 72,440 | 72,548 | 72,657 |
| | 16 | A | 66,518 | 66,616 | 66,715 | 66,814 | 66,913 | 67,012 | 67,111 | 67,210 | 67,309 | 67,408 | 67,507 | 67,606 |
| | | B | 72,765 | 72,873 | 72,982 | 73,090 | 73,198 | 73,306 | 73,415 | 73,523 | 73,631 | 73,740 | 73,848 | 73,956 |
| | 17 | A | 67,705 | 67,804 | 67,903 | 68,002 | 68,101 | 68,200 | 68,299 | 68,398 | 68,497 | 68,596 | 68,695 | 68,794 |
| | | B | 74,064 | 74,173 | 74,281 | 74,389 | 74,498 | 74,606 | 74,714 | 74,822 | 74,931 | 75,039 | 75,147 | 75,255 |
| | 18 | A | 68,893 | | | | | | | | | | | |
| | | B | 75,364 | | | | | | | | | | | |

Computation Formula: Weight = 1.5 X 700 (L + 40)
(L = Distance between the center of the front axle and the center of the rear axle of a given group.)

Legend:
Line A: Four tires per axle or two 14-inch wide tires. Value is the formula weight plus 13.125%.
Line B: Eight tires per axle or four 14-inch wide tires. Value is the formula weight plus 23.75%.

Historical Note

New Table made by final rulemaking at 9 A.A.R. 665, effective April 8, 2003 (Supp. 03-1). Table amended by final rulemaking at 19 A.A.R. 2486, effective September 7, 2013 (Supp. 13-3).

Department of Transportation – Oversize and Overweight Special Permits

Table 3.09. Maximum Permitted Weight Computations: Axle Width - 10 Feet
Overweight Axle Group Chart

Distance between the center of the front axle and the center of the rear axle of a given group.

| | | Inches | | | | | | | | | | | | |
|------|----|--------|--------|--------|--------|--------|--------|--------|--------|--------|--------|--------|--------|--------|
| | | 0 | 1 | 2 | 3 | 4 | 5 | 6 | 7 | 8 | 9 | 10 | 11 | |
| Feet | 3 | A | 32,200 | 32,200 | 32,200 | 32,200 | 32,200 | 32,200 | 52,526 | 52,627 | 52,728 | 52,828 | 52,929 | 53,029 |
| | | B | 35,000 | 35,000 | 35,000 | 35,000 | 35,000 | 35,000 | 57,094 | 57,203 | 57,313 | 57,422 | 57,531 | 57,641 |
| | 4 | A | 53,130 | 53,231 | 53,331 | 53,432 | 53,533 | 53,633 | 53,734 | 53,834 | 53,935 | 54,036 | 54,136 | 54,237 |
| | | B | 57,750 | 57,859 | 57,969 | 58,078 | 58,188 | 58,297 | 58,406 | 58,516 | 58,625 | 58,734 | 58,844 | 58,953 |
| | 5 | A | 54,338 | 54,438 | 54,539 | 54,639 | 54,740 | 54,841 | 54,941 | 55,042 | 55,143 | 55,243 | 55,344 | 55,444 |
| | | B | 59,063 | 59,172 | 59,281 | 59,391 | 59,500 | 59,609 | 59,719 | 59,828 | 59,938 | 60,047 | 60,156 | 60,266 |
| | 6 | A | 55,545 | 55,646 | 55,746 | 55,847 | 55,948 | 56,048 | 56,149 | 56,249 | 56,350 | 56,451 | 56,551 | 56,652 |
| | | B | 60,375 | 60,484 | 60,594 | 60,703 | 60,813 | 60,922 | 61,031 | 61,141 | 61,250 | 61,359 | 61,469 | 61,578 |
| | 7 | A | 56,753 | 56,853 | 56,954 | 57,054 | 57,155 | 57,256 | 57,356 | 57,457 | 57,558 | 57,658 | 57,759 | 57,859 |
| | | B | 61,688 | 61,797 | 61,906 | 62,016 | 62,125 | 62,234 | 62,344 | 62,453 | 62,563 | 62,672 | 62,781 | 62,891 |
| | 8 | A | 57,960 | 58,061 | 58,161 | 58,262 | 58,363 | 58,463 | 58,564 | 58,664 | 58,765 | 58,866 | 58,966 | 59,067 |
| | | B | 63,000 | 63,109 | 63,219 | 63,328 | 63,438 | 63,547 | 63,656 | 63,766 | 63,875 | 63,984 | 64,094 | 64,203 |
| | 9 | A | 59,168 | 59,268 | 59,369 | 59,469 | 59,570 | 59,671 | 59,771 | 59,872 | 59,973 | 60,073 | 60,174 | 60,274 |
| | | B | 64,313 | 64,422 | 64,531 | 64,641 | 64,750 | 64,859 | 64,969 | 65,078 | 65,188 | 65,297 | 65,406 | 65,516 |
| | 10 | A | 60,375 | 60,476 | 60,576 | 60,677 | 60,778 | 60,878 | 60,979 | 61,079 | 61,180 | 61,281 | 61,381 | 61,482 |
| | | B | 65,625 | 65,734 | 65,844 | 65,953 | 66,063 | 66,172 | 66,281 | 66,391 | 66,500 | 66,609 | 66,719 | 66,828 |
| | 11 | A | 61,583 | 61,683 | 61,784 | 61,884 | 61,985 | 62,086 | 62,186 | 62,287 | 62,388 | 62,488 | 62,589 | 62,689 |
| | | B | 66,938 | 67,047 | 67,156 | 67,266 | 67,375 | 67,484 | 67,594 | 67,703 | 67,813 | 67,922 | 68,031 | 68,141 |
| | 12 | A | 62,790 | 62,891 | 62,991 | 63,092 | 63,193 | 63,293 | 63,394 | 63,494 | 63,595 | 63,696 | 63,796 | 63,897 |
| | | B | 68,250 | 68,359 | 68,469 | 68,578 | 68,688 | 68,797 | 68,906 | 69,016 | 69,125 | 69,234 | 69,344 | 69,453 |
| | 13 | A | 63,998 | 64,098 | 64,199 | 64,299 | 64,400 | 64,501 | 64,601 | 64,702 | 64,803 | 64,903 | 65,004 | 65,104 |
| | | B | 69,563 | 69,672 | 69,781 | 69,891 | 70,000 | 70,109 | 70,219 | 70,328 | 70,438 | 70,547 | 70,656 | 70,766 |
| | 14 | A | 65,205 | 65,306 | 65,406 | 65,507 | 65,608 | 65,708 | 65,809 | 65,909 | 66,010 | 66,111 | 66,211 | 66,312 |
| | | B | 70,875 | 70,984 | 71,094 | 71,203 | 71,313 | 71,422 | 71,531 | 71,641 | 71,750 | 71,859 | 71,969 | 72,078 |
| | 15 | A | 66,413 | 66,513 | 66,614 | 66,714 | 66,815 | 66,916 | 67,016 | 67,117 | 67,218 | 67,318 | 67,419 | 67,519 |
| | | B | 72,188 | 72,297 | 72,406 | 72,516 | 72,625 | 72,734 | 72,844 | 72,953 | 73,063 | 73,172 | 73,281 | 73,391 |
| | 16 | A | 67,620 | 67,721 | 67,821 | 67,922 | 68,023 | 68,123 | 68,224 | 68,324 | 68,425 | 68,526 | 68,626 | 68,727 |
| | | B | 73,500 | 73,609 | 73,719 | 73,828 | 73,938 | 74,047 | 74,156 | 74,266 | 74,375 | 74,484 | 74,594 | 74,703 |
| | 17 | A | 68,828 | 68,928 | 69,029 | 69,129 | 69,230 | 69,331 | 69,431 | 69,532 | 69,633 | 69,733 | 69,834 | 69,934 |
| | | B | 74,813 | 74,922 | 75,031 | 75,141 | 75,250 | 75,359 | 75,469 | 75,578 | 75,688 | 75,797 | 75,906 | 76,016 |
| | 18 | A | 70,035 | | | | | | | | | | | |
| | | B | 76,125 | | | | | | | | | | | |

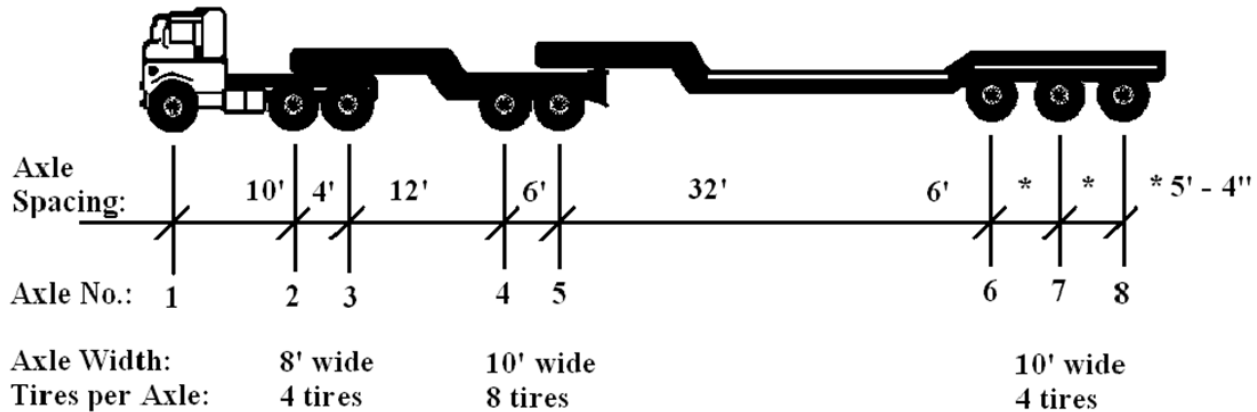
Computation Formula: Weight = 1.5 X 700 (L + 40)
(L = Distance between the center of the front axle and the center of the rear axle of a given group.)

Legend:
Line A: Four tires per axle or two 14-inch wide tires. Value is the formula weight plus 15%.
Line B: Eight tires per axle or four 14-inch wide tires. Value is the formula weight plus 25%.

Historical Note

New Table made by final rulemaking at 9 A.A.R. 665, effective April 8, 2003 (Supp. 03-1). Table amended by final rulemaking at 19 A.A.R. 2486, effective September 7, 2013 (Supp. 13-3).

Illustration 3. Overweight Axle Groups



The axle group weights shown on the previous tables are maximum weights allowed on any combination of axles within the distance between the front and rear axle of a given group to a maximum of 18 feet. The values in Table 3.01 line "A" are an expansion of the formula $W = 1.5 \times 700 (L + 40)$, where L is the distance between the centers of the front and rear axles of a group. The values in line "B" and in the remaining tables are computed by applying the percentages provided in the Table footnotes and are intended to increase the allowable weights based on wider axles and increased number of tires. Measured axle widths shall be rounded down to the nearest 3" increment when determining the appropriate table to use.

- (Axle 1) limited to 28,000 lbs for single alone
- (Axle 2 + 3); L = 4'; W = 46,200 lbs for tandem alone
- (Axle 1) + (Axle 2 + 3); L = 14'; W = 56,700 lbs for the group
- (Axle 4 + 5); L = 6'; W = 60,375 lbs (25% increase for 10' wide - 8 tires)
- (Axle 2 + 3 + 4); L = 16'; W = $(2/3 \times 58,800) + (1/3 \times 73,500) = 63,700$ lbs
- (Axle 3 + 4 + 5); L = 18'; W = $(1/3 \times 60,900) + (2/3 \times 76,125) = 71,050$ lbs
- (Axle 3 + 4); L = 12'; W = $(1/2 \times 54,600) + (1/2 \times 68,250) = 61,425$ lbs
- (Axle 6 + 7 + 8); L = 10' 8"; W = 61,180 (15% increase for 10' wide - 4 tires)

Note: The Department shall review each possible axle group that can exist within an 18-foot distance. Axle group configurations of different widths or numbers of tires shall be prorated within the total group load in determining any allowable increase over the basic formula weight.

Historical Note

New Illustration 3 made by final rulemaking at 9 A.A.R. 665, effective April 8, 2003 (Supp. 03-1). Illustration 3 amended by final rulemaking at 19 A.A.R. 2486, effective September 7, 2013 (Supp. 13-3).

R17-6-412. Highway-specific Restrictions, Requirements, Conditions, and Allowances

- A. The Department may temporarily prohibit operation of an oversize or overweight special permitted vehicle, or impose additional weight restrictions, requirements, conditions, or allowances, if safe transport on a highway under the Department's jurisdiction is unavoidably affected by a temporary construction or maintenance project, incident, or emergency situation as indicated on the Department's web site at www.az511.gov.
- B. The Department shall post to its web site at www.azdot.gov all updates to any temporary or permanent highway restrictions, requirements, conditions, or allowances affecting a route listed under Table 4 as appropriate for safe transport of an oversize or overweight vehicle or vehicle and load.
- C. A permittee and driver shall check the Department's web site at www.azdot.gov daily for updates to any temporary or permanent highway restrictions, requirements, conditions, or allowances affecting safe transport of an oversize or overweight vehicle or vehicle and load on a route listed under Table 4.
- D. A permittee or driver of an oversize or overweight vehicle or load shall not access a route listed under Table 4 unless operating in full compliance with all indicated permanent highway restrictions, requirements, conditions and allowances, including any additional instructions indicated on the special permit

issued by the Department.

- E. A permittee and driver shall additionally check daily for up-to-date information on traffic conditions, road closures, and restrictions by:
 1. Accessing the Department's Traffic Operations Center online at www.az511.gov; or
 2. Contacting a highway project engineer at the ADOT district office identified on the Department's web site at www.azdot.gov/Highways as responsible for oversight of the permittee's applicable transport route.
- F. The information contained in Table 4 reflects highway restrictions, requirements, conditions, and allowances applicable on the effective date of this Section. Real-time updates published as an addendum to Table 4 are posted by the Department to its web site at www.azdot.gov, the Arizona Central Commercial Permits office, and Class C Maintenance Permit Services. This information is critical for ensuring safe transport of an oversize or overweight vehicle or load and is subject to change as provided under this Section.

Historical Note

New Section made by final rulemaking at 9 A.A.R. 665, effective April 8, 2003 (Supp. 03-1). Amended by final rulemaking at 19 A.A.R. 2486, effective September 7, 2013 (Supp. 13-3).

Department of Transportation – Oversize and Overweight Special Permits

Table 4. Permanent Highway Restrictions, Requirements, Conditions, and Allowances

| Route | Restriction Location (MP = Milepost) | Transport Subject to: | Height | Length | Width | Weight (in lbs) |
|-----------------------------------------------------------------------------------------------------------------------------|---------------------------------------------------------------------|--------------------------------------------|---------|--------|--------------------|-----------------|
| Escort requirements: F = front escort, R = rear escort, F/R = front and rear escort, and LE = law enforcement escort | | | | | | |
| Interstate 8 | MP 0.00 (California State Line) to MP 144.55 (Vekol Road TI) | R17-6-405; R17-6-406; R17-6-408; R17-6-409 | | | Over 14' - 16' = R | |
| Interstate 8 | MP 144.55 (Vekol Road Underpass - Structure 550) | R17-6-405; R17-6-406; R17-6-408; R17-6-409 | 15' 11" | | Over 14' - 16' = R | |
| Interstate 8 | MP 144.55 (Vekol Road TI) to MP 151.70 (SR 84 TI) | R17-6-405; R17-6-406; R17-6-408; R17-6-409 | | | Over 14' - 16' = R | |
| Interstate 8 | MP 151.70 Eastbound (SR 84 TI Underpass - Structure 1063) | R17-6-405; R17-6-406; R17-6-408; R17-6-409 | 15' 11" | | Over 14' - 16' = R | |
| Interstate 8 | MP 151.70 (SR 84 TI) to MP 162.50 (Murphy Road) | R17-6-405; R17-6-406; R17-6-408; R17-6-409 | | | Over 14' - 16' = R | |
| Interstate 8 | MP 162.50 Westbound (Murphy Road Underpass - Structure 1091) | R17-6-405; R17-6-406; R17-6-408; R17-6-409 | 15' 11" | | Over 14' - 16' = R | |
| Interstate 8 | MP 162.50 (Murphy Road) to MP 172.55 (Thornton Road) | R17-6-405; R17-6-406; R17-6-408; R17-6-409 | | | Over 14' - 16' = R | |
| Interstate 8 | MP 172.55 Eastbound (Thornton Road Underpass - Structure 1196) | R17-6-405; R17-6-406; R17-6-408; R17-6-409 | 15' 8" | | Over 14' - 16' = R | |
| Interstate 8 | MP 172.55 Westbound (Thornton Road Underpass - Structure 1196) | R17-6-405; R17-6-406; R17-6-408; R17-6-409 | 15' 7" | | Over 14' - 16' = R | |
| Interstate 8 | MP 172.55 (Thornton Road) to MP 173.53 (Chuichu Road) | R17-6-405; R17-6-406; R17-6-408; R17-6-409 | | | Over 14' - 16' = R | |
| Interstate 8 | MP 173.53 Eastbound (Chuichu Road Underpass - Structure 1197) | R17-6-405; R17-6-406; R17-6-408; R17-6-409 | 15' 10" | | Over 14' - 16' = R | |
| Interstate 8 | MP 173.53 (Chuichu Road) to MP 178.70 (Junction I-10) | R17-6-405; R17-6-406; R17-6-408; R17-6-409 | | | Over 14' - 16' = R | |
| Interstate 10 | MP 0.00 (California State Line) to MP 5.84 (Tom Wells Road TI) | R17-6-405; R17-6-406; R17-6-408; R17-6-409 | | | Over 14' - 16' = R | |
| Interstate 10 | MP 5.84 Eastbound (Tom Wells Road Underpass - Structure 767) | R17-6-405; R17-6-406; R17-6-408; R17-6-409 | 15' 10" | | Over 14' - 16' = R | |
| Interstate 10 | MP 5.84 (Tom Wells Road TI) to MP 17.50 (West Quartzsite TI) | R17-6-405; R17-6-406; R17-6-408; R17-6-409 | | | Over 14' - 16' = R | |
| Interstate 10 | MP 17.50 (West Quartzsite Underpass - Structure 826) | R17-6-405; R17-6-406; R17-6-408; R17-6-409 | 15' 8" | | Over 14' - 16' = R | |
| Interstate 10 | MP 17.50 (West Quartzsite TI) to MP 26.65 (Gold Nugget Mountain) | R17-6-405; R17-6-406; R17-6-408; R17-6-409 | | | Over 14' - 16' = R | |
| Interstate 10 | MP 26.65 Westbound (Gold Nugget Mountain Underpass - Structure 769) | R17-6-405; R17-6-406; R17-6-408; R17-6-409 | 15' 10" | | Over 14' - 16' = R | |
| Interstate 10 | MP 26.65 (Gold Nugget Mountain) to MP 33.78 (Ramsey Mine TI) | R17-6-405; R17-6-406; R17-6-408; R17-6-409 | | | Over 14' - 16' = R | |
| Interstate 10 | MP 33.78 Eastbound (Ramsey Mine Underpass - Structure 1202) | R17-6-405; R17-6-406; R17-6-408; R17-6-409 | 15' 11" | | Over 14' - 16' = R | |
| Interstate 10 | MP 33.78 (Ramsey Mine TI) to MP 45.34 (Vicksburg Road TI) | R17-6-405; R17-6-406; R17-6-408; R17-6-409 | | | Over 14' - 16' = R | |
| Interstate 10 | MP 45.34 (Vicksburg Road Underpass - Structure 1207) | R17-6-405; R17-6-406; R17-6-408; R17-6-409 | 15' 7" | | Over 14' - 16' = R | |
| Interstate 10 | MP 45.34 (Vicksburg Road TI) to MP 69.60 (Avenue 75E TI) | R17-6-405; R17-6-406; R17-6-408; R17-6-409 | | | Over 14' - 16' = R | |
| Interstate 10 | MP 69.60 Westbound (Avenue 75E Underpass - Structure 1283) | R17-6-405; R17-6-406; R17-6-408; R17-6-409 | 15' 11" | | Over 14' - 16' = R | |
| Interstate 10 | MP 69.60 (Avenue 75E TI) to MP 81.21 (Salome Road TI) | R17-6-405; R17-6-406; R17-6-408; R17-6-409 | | | Over 14' - 16' = R | |
| Interstate 10 | MP 81.21 Eastbound (Salome Road Underpass - Structure 1209) | R17-6-405; R17-6-406; R17-6-408; R17-6-409 | 15' 11" | | Over 14' - 16' = R | |
| Interstate 10 | MP 81.21 Westbound (Salome Road Underpass - Structure 1209) | R17-6-405; R17-6-406; R17-6-408; R17-6-409 | 15' 9" | | Over 14' - 16' = R | |
| Interstate 10 | MP 81.21 (Salome Road TI) to MP 101.40 (355th Avenue) | R17-6-405; R17-6-406; R17-6-408; R17-6-409 | | | Over 14' - 16' = R | |

Department of Transportation – Oversize and Overweight Special Permits

| Route | Restriction Location (MP = Milepost) | Transport Subject to: | Height | Length | Width | Weight (in lbs) |
|-----------------------------------------------------------------------------------------------------------------------------|------------------------------------------------------------------|-------------------------------------------------------|---------|--------|--------------------|-----------------|
| Escort requirements: F = front escort, R = rear escort, F/R = front and rear escort, and LE = law enforcement escort | | | | | | |
| Interstate 10 | MP 101.40 Westbound (355th Avenue Underpass - Structure 1647) | R17-6-405; R17-6-406; R17-6-408; R17-6-409 | 15' 8" | | Over 14' - 16' = R | |
| Interstate 10 | MP 101.40 (355th Avenue) to MP 133.98 (Junction SR 101) | R17-6-405; R17-6-406; R17-6-408; R17-6-409 | | | Over 14' - 16' = R | |
| Interstate 10 | MP 133.98 (Junction SR 101) to MP 139.65 (51st Avenue TI) | R17-6-404; R17-6-405; R17-6-406; R17-6-408; R17-6-409 | | | Over 14' - 16' = R | |
| Interstate 10 | MP 139.65 Eastbound (51st Avenue Underpass - Structure 1930) | R17-6-404; R17-6-405; R17-6-406; R17-6-408; R17-6-409 | 15' 11" | | Over 14' - 16' = R | |
| Interstate 10 | MP 139.65 (51st Avenue TI) to MP 145.19 (Deck Park Tunnel) | R17-6-404; R17-6-405; R17-6-406; R17-6-408; R17-6-409 | | | Over 14' - 16' = R | |
| Interstate 10 | MP 145.19 Eastbound (Deck Park Tunnel) | R17-6-404; R17-6-405; R17-6-406; R17-6-408; R17-6-409 | 15' 7" | | Over 14' - 16' = R | |
| Interstate 10 | MP 145.19 (Deck Park Tunnel) to MP 147.21 (SR 51 TI) | R17-6-404; R17-6-405; R17-6-406; R17-6-408; R17-6-409 | | | Over 14' - 16' = R | |
| Interstate 10 | MP 147.21 (SR 51 Underpass) | R17-6-404; R17-6-405; R17-6-406; R17-6-408; R17-6-409 | 15' 2" | | Over 14' - 16' = R | |
| Interstate 10 | MP 147.21 (SR 51 TI) to MP 161.35 (Junction SR 202, Santan) | R17-6-404; R17-6-405; R17-6-406; R17-6-408; R17-6-409 | | | Over 14' - 16' = R | |
| Interstate 10 | MP 161.35 (Junction SR 202, Santan) to MP 167.47 (Riggs Road TI) | R17-6-405; R17-6-406; R17-6-408; R17-6-409 | | | Over 14' - 16' = R | |
| Interstate 10 | MP 167.47 (Riggs Road Underpass - Structure 1148) | R17-6-405; R17-6-406; R17-6-408; R17-6-409 | 15' 9" | | Over 14' - 16' = R | |
| Interstate 10 | MP 167.47 (Riggs Road TI) to MP 169.85 (Goodyear Underpass) | R17-6-405; R17-6-406; R17-6-408; R17-6-409 | | | Over 14' - 16' = R | |
| Interstate 10 | MP 169.85 Eastbound (Goodyear Underpass - Structure 1149) | R17-6-405; R17-6-406; R17-6-408; R17-6-409 | 15' 10" | | Over 14' - 16' = R | |
| Interstate 10 | MP 169.85 (Goodyear Underpass) to MP 174.63 (Nelson Road) | R17-6-405; R17-6-406; R17-6-408; R17-6-409 | | | Over 14' - 16" = R | |
| Interstate 10 | MP 174.63 (Nelson Road Underpass - Structure 1213) | R17-6-405; R17-6-406; R17-6-408; R17-6-409 | 15' 11" | | Over 14' - 16" = R | |
| Interstate 10 | MP 174.63 (Nelson Road) to MP 175.81 (Casa Blanca TI) | R17-6-405; R17-6-406; R17-6-408; R17-6-409 | | | Over 14' - 16" = R | |
| Interstate 10 | MP 175.81 Eastbound (Casa Blanca TI Underpass - Structure 1214) | R17-6-405; R17-6-406; R17-6-408; R17-6-409 | 15' 11" | | Over 14' - 16" = R | |
| Interstate 10 | MP 175.81 Westbound (Casa Blanca TI Underpass - Structure 1214) | R17-6-405; R17-6-406; R17-6-408; R17-6-409 | 15' 10" | | Over 14' - 16" = R | |
| Interstate 10 | MP 175.81 (Casa Blanca TI) to MP 177.76 (Gas Line Road TI) | R17-6-405; R17-6-406; R17-6-408; R17-6-409 | | | Over 14' - 16" = R | |
| Interstate 10 | MP 177.76 Eastbound (Gas Line Road Underpass - Structure 1215) | R17-6-405; R17-6-406; R17-6-408; R17-6-409 | 15' 11" | | Over 14' - 16" = R | |
| Interstate 10 | MP 177.76 (Gas Line Road TI) to MP 179.39 (Seed Farm Road TI) | R17-6-405; R17-6-406; R17-6-408; R17-6-409 | | | Over 14' - 16" = R | |
| Interstate 10 | MP 179.39 Westbound (Seed Farm Road Underpass - Structure 1216) | R17-6-405; R17-6-406; R17-6-408; R17-6-409 | 15' 10" | | Over 14' - 16" = R | |
| Interstate 10 | MP 179.39 (Seed Farm Road TI) to MP 195.89 (Earley Road) | R17-6-405; R17-6-406; R17-6-408; R17-6-409 | | | Over 14' - 16" = R | |
| Interstate 10 | MP 195.89 (Earley Road Underpass - Structure 1158) | R17-6-405; R17-6-406; R17-6-408; R17-6-409 | 15' 11" | | Over 14' - 16" = R | |
| Interstate 10 | MP 195.89 (Earley Road) to MP 203.84 (Toltec Road TI) | R17-6-405; R17-6-406; R17-6-408; R17-6-409 | | | Over 14' - 16" = R | |
| Interstate 10 | MP 203.84 Westbound (Toltec Road Underpass - Structure 2152) | R17-6-405; R17-6-406; R17-6-408; R17-6-409 | 15' 11" | | Over 14' - 16" = R | |
| Interstate 10 | MP 203.84 (Toltec Road TI) to MP 205.45 (Battaglia Underpass) | R17-6-405; R17-6-406; R17-6-408; R17-6-409 | | | Over 14' - 16" = R | |

Department of Transportation – Oversize and Overweight Special Permits

| Route | Restriction Location (MP = Milepost) | Transport Subject to: | Height | Length | Width | Weight (in lbs) |
|-----------------------------------------------------------------------------------------------------------------------------|--------------------------------------------------------------------|--------------------------------------------|---------|--------------------------------------|-----------------------------|-----------------|
| Escort requirements: F = front escort, R = rear escort, F/R = front and rear escort, and LE = law enforcement escort | | | | | | |
| Interstate 10 | MP 205.45 (Battaglia Underpass - Structure 943) | R17-6-405; R17-6-406; R17-6-408; R17-6-409 | 15' 9" | | Over 14' - 16' = R | |
| Interstate 10 | MP 205.45 (Battaglia Underpass) to MP 208.79 (Sunshine Blvd TI) | R17-6-405; R17-6-406; R17-6-408; R17-6-409 | | | Over 14' - 16' = R | |
| Interstate 10 | MP 208.79 Westbound (Sunshine Blvd Underpass - Structure 945) | R17-6-405; R17-6-406; R17-6-408; R17-6-409 | 15' 11" | | Over 14' - 16' = R | |
| Interstate 10 | MP 208.79 (Sunshine Blvd TI) to MP 226.45 (Red Rock Road TI) | R17-6-405; R17-6-406; R17-6-408; R17-6-409 | | | Over 14' - 16' = R | |
| Interstate 10 | MP 226.45 Eastbound (Red Rock Road Underpass - Structure 592) | R17-6-405; R17-6-406; R17-6-408; R17-6-409 | 15' 11" | | Over 14' - 16' = R | |
| Interstate 10 | MP 226.45 Westbound (Red Rock Road Underpass - Structure 592) | R17-6-405; R17-6-406; R17-6-408; R17-6-409 | 15' 9" | | Over 14' - 16' = R | |
| Interstate 10 | MP 226.45 (Red Rock Road TI) to MP 236.42 (Marana Road) | R17-6-405; R17-6-406; R17-6-408; R17-6-409 | | | Over 14' - 16' = R | |
| Interstate 10 | MP 236.42 (Marana Road) to MP 270.57 (Kolb Road TI) | R17-6-405; R17-6-406; R17-6-408; R17-6-409 | | | Over 14' - 16' = R | |
| Interstate 10 | MP 270.57 Eastbound (Kolb Road Underpass - Structure 1823) | R17-6-405; R17-6-406; R17-6-408; R17-6-409 | 15' 11" | | Over 14' - 16' = R | |
| Interstate 10 | MP 270.57 (Kolb Road TI) to MP 273.14 (Rita Road TI) | R17-6-405; R17-6-406; R17-6-408; R17-6-409 | | | Over 14' - 16' = R | |
| Interstate 10 | MP 273.14 Eastbound (Rita Road Underpass - Structure 711) | R17-6-405; R17-6-406; R17-6-408; R17-6-409 | 15' 11" | | Over 14' - 16' = R | |
| Interstate 10 | MP 273.14 (Rita Road TI) to MP 275.49 (Houghton Road TI) | R17-6-405; R17-6-406; R17-6-408; R17-6-409 | | | Over 14' - 16' = R | |
| Interstate 10 | MP 275.49 Westbound (Houghton Road Underpass - Structure 713) | R17-6-405; R17-6-406; R17-6-408; R17-6-409 | 15' 10" | | Over 14' - 16' = R | |
| Interstate 10 | MP 275.49 (Houghton Road TI) to MP 279.37 (Vail/Wentworth TI) | R17-6-405; R17-6-406; R17-6-408; R17-6-409 | | | Over 14' - 16' = R | |
| Interstate 10 | MP 279.37 Eastbound (Vail/Wentworth Underpass - Structure 744) | R17-6-405; R17-6-406; R17-6-408; R17-6-409 | 15' 11" | | Over 14' - 16' = R | |
| Interstate 10 | MP 279.37 Westbound (Vail/Wentworth Underpass - Structure 745) | R17-6-405; R17-6-406; R17-6-408; R17-6-409 | 15' 10" | | Over 14' - 16' = R | |
| Interstate 10 | MP 279.37 (Vail/Wentworth TI) to MP 339.46 (Airport Road) | R17-6-405; R17-6-406; R17-6-408; R17-6-409 | | | Over 14' - 16' = R | |
| Interstate 10 | MP 339.46 Eastbound (Airport Road Underpass - Structure 1114) | R17-6-405; R17-6-406; R17-6-408; R17-6-409 | 15' 8" | | Over 14' - 16' = R | |
| Interstate 10 | MP 339.46 (Airport Road) to MP 378.93 (West San Simon TI) | R17-6-405; R17-6-406; R17-6-408; R17-6-409 | | | Over 14' - 16' = R | |
| Interstate 10 | MP 378.93 Eastbound (West San Simon Underpass - Structure 1164) | R17-6-405; R17-6-406; R17-6-408; R17-6-409 | 15' 10" | | Over 14' - 16' = R | |
| Interstate 10 | MP 378.93 Westbound (West San Simon Underpass - Structure 1164) | R17-6-405; R17-6-406; R17-6-408; R17-6-409 | 15' 11" | | Over 14' - 16' = R | |
| Interstate 10 | MP 378.93 (West San Simon TI) to MP 382.35 (East San Simon TI) | R17-6-405; R17-6-406; R17-6-408; R17-6-409 | | | Over 14' - 16' = R | |
| Interstate 10 | MP 382.35 Eastbound (East San Simon Underpass - Structure 1169) | R17-6-405; R17-6-406; R17-6-408; R17-6-409 | 15' 10" | | Over 14' - 16' = R | |
| Interstate 10 | MP 382.35 (East San Simon TI) to MP 391.23 (New Mexico State Line) | R17-6-405; R17-6-406; R17-6-408; R17-6-409 | | | Over 14' - 16' = R | |
| Interstate 15 | MP 0.00 (Nevada State Line) to MP 15.38 (Virgin River Bridge # 5) | R17-6-405; R17-6-406; R17-6-408; R17-6-409 | | Over 100' unarticulated = F/R + 2 LE | Over 14' - 16' = F/R + 2 LE | |

Department of Transportation – Oversize and Overweight Special Permits

| Route | Restriction Location (MP = Milepost) | Transport Subject to: | Height | Length | Width | Weight (in lbs) |
|-----------------------------------------------------------------------------------------------------------------------------|-----------------------------------------------------------------------------|-------------------------------------------------------|---------|--------------------------------------|-----------------------------|---------------------------------------------------------------------------------------------------------------------------------------------------------------------------------------------------------------------------------------------------------------------------------------------------------------------------------------------------------------------------------------------------------------------------------------------|
| Escort requirements: F = front escort, R = rear escort, F/R = front and rear escort, and LE = law enforcement escort | | | | | | |
| Interstate 15 | MP 15.38 Northbound (Virgin River Bridge #5 - Structure 1617) | R17-6-405; R17-6-406; R17-6-408; R17-6-409 | | Over 100' unarticulated = F/R + 2 LE | Over 14' - 16' = F/R + 2 LE | Class A permitted vehicles with a gross weight of: 150,000 or less - no additional restrictions; 150,001 through 250,000 - drivers shall: Coordinate road closures by or under the direction of law enforcement; and Cross on center of bridge at a constant speed of no more than 10 mph while on bridge. Class C permitted vehicles with a gross weight of over 250,000 require special analysis and approval from the ADOT Bridge Group. |
| Interstate 15 | MP 15.38 Southbound (Virgin River Bridge #5 - Structure 1618) | R17-6-405; R17-6-406; R17-6-408; R17-6-409 | | Over 100' unarticulated = F/R + 2 LE | Over 14' - 16' = F/R + 2 LE | Class A permitted vehicles with a gross weight of: 150,000 or less - no additional restrictions; 150,001 through 250,000 - drivers shall: Coordinate road closures by or under the direction of law enforcement; and Cross on center of bridge at a constant speed of no more than 10 mph while on bridge. Class C permitted vehicles with a gross weight of over 250,000 require special analysis and approval from the ADOT Bridge Group. |
| Interstate 15 | MP 15.38 (Virgin River Bridge #5) to MP 29.40 (Utah State Line) | R17-6-405; R17-6-406; R17-6-408; R17-6-409 | | Over 100' unarticulated = F/R + 2 LE | Over 14' - 16' = F/R + 2 LE | |
| Interstate 17 | MP 193.94 (Beginning of route at Junction I-10) to MP 198.84 (Buckeye Road) | R17-6-404; R17-6-405; R17-6-406; R17-6-408; R17-6-409 | | | Over 14' - 16' = R | |
| Interstate 17 | MP 198.84 (Buckeye Road Underpass - Structure 607) | R17-6-404; R17-6-405; R17-6-406; R17-6-408; R17-6-409 | 15' 5" | | Over 14' - 16' = R | |
| Interstate 17 | MP 198.84 (Buckeye Road) to MP 199.15 (Grant Street) | R17-6-404; R17-6-405; R17-6-406; R17-6-408; R17-6-409 | | | Over 14' - 16' = R | |
| Interstate 17 | MP 199.15 (Grant Street Underpass - Structure 555) | R17-6-404; R17-6-405; R17-6-406; R17-6-408; R17-6-409 | 15' 6" | | Over 14' - 16' = R | |
| Interstate 17 | MP 199.15 (Grant Street) to MP 199.35 (Railroad Underpass) | R17-6-404; R17-6-405; R17-6-406; R17-6-408; R17-6-409 | | | Over 14' - 16' = R | |
| Interstate 17 | MP 199.35 Northbound (Railroad Underpass - Structure 600) | R17-6-404; R17-6-405; R17-6-406; R17-6-408; R17-6-409 | 15' 8" | | Over 14' - 16' = R | |
| Interstate 17 | MP 199.35 Southbound (Railroad Underpass - Structure 600) | R17-6-404; R17-6-405; R17-6-406; R17-6-408; R17-6-409 | 15' 7" | | Over 14' - 16' = R | |
| Interstate 17 | MP 199.35 (Railroad Underpass) to MP 199.56 (Jefferson Street) | R17-6-404; R17-6-405; R17-6-406; R17-6-408; R17-6-409 | | | Over 14' - 16' = R | |
| Interstate 17 | MP 199.56 Northbound (Jefferson Street Underpass - Structure 554) | R17-6-404; R17-6-405; R17-6-406; R17-6-408; R17-6-409 | 15' 8" | | Over 14' - 16' = R | |
| Interstate 17 | MP 199.56 Southbound (Jefferson Street Underpass - Structure 554) | R17-6-404; R17-6-405; R17-6-406; R17-6-408; R17-6-409 | 15' 7" | | Over 14' - 16' = R | |
| Interstate 17 | MP 199.56 (Jefferson Street) to MP 214.74 (Utopia Road Ramp C) | R17-6-404; R17-6-405; R17-6-406; R17-6-408; R17-6-409 | | | Over 14' - 16' = R | |
| Interstate 17 | MP 214.74 Northbound (Utopia Road Ramp C - Structure 2138) | R17-6-404; R17-6-405; R17-6-406; R17-6-408; R17-6-409 | 15' 11" | | Over 14' - 16' = R | |
| Interstate 17 | MP 214.74 (Utopia Road Ramp C) to MP 214.96 (Junction SR 101) | R17-6-404; R17-6-405; R17-6-406; R17-6-408; R17-6-409 | | | Over 14' - 16' = R | |
| Interstate 17 | MP 214.96 (Junction SR 101) to MP 223.99 (Junction SR 74) | R17-6-405; R17-6-406; R17-6-408; R17-6-409 | | | Over 14' - 16' = R | |

Department of Transportation – Oversize and Overweight Special Permits

| Route | Restriction Location (MP = Milepost) | Transport Subject to: | Height | Length | Width | Weight (in lbs) |
|-----------------------------------------------------------------------------------------------------------------------------|------------------------------------------------------------------------------------|-------------------------------------------------------|---------|--------|----------------------|-----------------|
| Escort requirements: F = front escort, R = rear escort, F/R = front and rear escort, and LE = law enforcement escort | | | | | | |
| Interstate 17 | MP 224.00 Southbound (Carefree Highway Underpass - Structure 2845) | R17-6-405; R17-6-406; R17-6-407; R17-6-408; R17-6-409 | | | Over 14' - 16' = R | |
| Interstate 17 | MP 224.00 (Carefree Highway TI) to MP 229.07 (Anthem Road) | R17-6-405; R17-6-406; R17-6-407; R17-6-408; R17-6-409 | | | Over 14' - 16' = R | |
| Interstate 17 | MP 229.07 (Anthem Road) to MP 235.94 (Table Mesa TI) | R17-6-405; R17-6-406; R17-6-407; R17-6-408; R17-6-409 | | | Over 14' - 16' = F/R | |
| Interstate 17 | MP 235.94 Southbound (Table Mesa Underpass - Structure 1294) | R17-6-405; R17-6-406; R17-6-407; R17-6-408; R17-6-409 | 15' 10" | | Over 14' - 16' = F/R | |
| Interstate 17 | MP 235.94 (Table Mesa TI) to MP 242.15 (Rock Spring) | R17-6-405; R17-6-406; R17-6-407; R17-6-408; R17-6-409 | | | Over 14' - 16' = F/R | |
| Interstate 17 | MP 242.15 (Rock Spring Underpass - Structures 969 & 970) | R17-6-405; R17-6-406; R17-6-407; R17-6-408; R17-6-409 | 15' 9" | | Over 14' - 16' = R | |
| Interstate 17 | MP 242.15 (Rock Spring TI) to MP 289.97 (Middle Verde TI) | R17-6-405; R17-6-406; R17-6-407; R17-6-408; R17-6-409 | | | Over 14' - 16' = R | |
| Interstate 17 | MP 289.97 Southbound (Middle Verde Underpass - Structure 1733) | R17-6-405; R17-6-406; R17-6-407; R17-6-408; R17-6-409 | 15' 11" | | Over 14' - 16' = R | |
| Interstate 17 | MP 289.97 (Middle Verde TI) to MP 293.26 (Cornville/McGuireville TI) | R17-6-405; R17-6-406; R17-6-407; R17-6-408; R17-6-409 | | | Over 14' - 16' = R | |
| Interstate 17 | MP 293.26 Southbound (Cornville/McGuireville Underpass - Structure 652) | R17-6-405; R17-6-406; R17-6-407; R17-6-408; R17-6-409 | 14' 8" | | Over 14' - 16' = R | |
| Interstate 17 | MP 293.26 (Cornville/McGuireville TI) to MP 340.05 (End of route at Junction I-40) | R17-6-405; R17-6-406; R17-6-407; R17-6-408; R17-6-409 | | | Over 14' - 16' = R | |
| Interstate 19 | MP 0.00 (US/Mexico Border) to MP 13.96 (Peck Canyon TI) | R17-6-405; R17-6-406; R17-6-408; R17-6-409 | | | Over 14' - 16' = R | |
| Interstate 19 | MP 13.96 Northbound (Peck Canyon Underpass - Structure 935) | R17-6-405; R17-6-406; R17-6-408; R17-6-409 | 15' 10" | | Over 14' - 16' = R | |
| Interstate 19 | MP 13.96 (Peck Canyon TI) to MP 26.54 (Agua Linda TI) | R17-6-405; R17-6-406; R17-6-408; R17-6-409 | | | Over 14' - 16' = R | |
| Interstate 19 | MP 26.54 Northbound (Agua Linda Underpass - Structure 1739) | R17-6-405; R17-6-406; R17-6-408; R17-6-409 | 15' 10" | | Over 14' - 16' = R | |
| Interstate 19 | MP 26.54 (Agua Linda TI) to MP 59.09 (Valencia Road, Kilometer Post 95.00) | R17-6-405; R17-6-406; R17-6-408; R17-6-409 | | | Over 14' - 16' = R | |
| Interstate 19 | MP 59.09 (Valencia Road, Kilometer Post 95.00) to MP 60.95 (Irvington TI) | R17-6-404; R17-6-405; R17-6-406; R17-6-408; R17-6-409 | | | Over 14' - 16' = R | |
| Interstate 19 | MP 60.95 Southbound (Irvington Underpass - Structure 1123) | R17-6-404; R17-6-405; R17-6-406; R17-6-408; R17-6-409 | 15' 11" | | Over 14' - 16' = R | |
| Interstate 19 | MP 60.95 (Irvington TI) to MP 61.90 (Ajo Way) | R17-6-404; R17-6-405; R17-6-406; R17-6-408; R17-6-409 | | | Over 14' - 16' = R | |
| Interstate 19 | MP 61.90 Southbound (Ajo Way Underpass - Structure 1125) | R17-6-404; R17-6-405; R17-6-406; R17-6-408; R17-6-409 | 15' 9" | | Over 14' - 16' = R | |
| Interstate 19 | MP 61.90 (Ajo Way) to MP 63.09 (Junction I-10) | R17-6-404; R17-6-405; R17-6-406; R17-6-408; R17-6-409 | | | Over 14' - 16' = R | |
| Interstate 40 | MP 0.00 (California State Line) to MP 3.01 Westbound (Needle Mountain TI) | R17-6-405; R17-6-406; R17-6-408; R17-6-409 | | | Over 14' - 16' = R | |
| Interstate 40 | MP 3.01 Westbound (Needle Mountain Underpass - Structure 1756) | R17-6-405; R17-6-406; R17-6-408; R17-6-409 | 15' 11" | | Over 14' - 16' = R | |
| Interstate 40 | MP 3.01 Westbound (Needle Mountain TI) to MP 26.17 (East Yucca TI) | R17-6-405; R17-6-406; R17-6-408; R17-6-409 | | | Over 14' - 16' = R | |
| Interstate 40 | MP 26.17 Eastbound (East Yucca Underpass - Structure 923) | R17-6-405; R17-6-406; R17-6-408; R17-6-409 | 15' 10" | | Over 14' - 16' = R | |
| Interstate 40 | MP 26.17 (East Yucca TI) to MP 37.03 (Griffith Road TI) | R17-6-405; R17-6-406; R17-6-408; R17-6-409 | | | Over 14' - 16' = R | |

Department of Transportation – Oversize and Overweight Special Permits

| Route | Restriction Location (MP = Milepost) | Transport Subject to: | Height | Length | Width | Weight (in lbs) |
|-----------------------------------------------------------------------------------------------------------------------------|----------------------------------------------------------------------|--------------------------------------------|---------|--------|--------------------|-----------------|
| Escort requirements: F = front escort, R = rear escort, F/R = front and rear escort, and LE = law enforcement escort | | | | | | |
| Interstate 40 | MP 37.03 Eastbound (Griffith Road Underpass - Structure 928) | R17-6-405; R17-6-406; R17-6-408; R17-6-409 | 15' 10" | | Over 14' - 16' = R | |
| Interstate 40 | MP 37.03 (Griffith Road TI) to MP 87.57 (Willow Ranch Road TI) | R17-6-405; R17-6-406; R17-6-408; R17-6-409 | | | Over 14' - 16' = R | |
| Interstate 40 | MP 87.57 Westbound (Willow Ranch Road Underpass - Structure 1770) | R17-6-405; R17-6-406; R17-6-408; R17-6-409 | 15' 7" | | Over 14' - 16' = R | |
| Interstate 40 | MP 87.57 (Willow Ranch Road TI) to MP 117.87 (Canyon Mouth Dam) | R17-6-405; R17-6-406; R17-6-408; R17-6-409 | | | Over 14' - 16' = R | |
| Interstate 40 | MP 117.87 Eastbound (Canyon Mouth Dam Underpass - Structure 1256) | R17-6-405; R17-6-406; R17-6-408; R17-6-409 | 15' 11" | | Over 14' - 16' = R | |
| Interstate 40 | MP 117.87 (Canyon Mouth Dam) to MP 121.07 (West Seligman TI) | R17-6-405; R17-6-406; R17-6-408; R17-6-409 | | | Over 14' - 16' = R | |
| Interstate 40 | MP 121.07 Eastbound (West Seligman Underpass - Structure 1258) | R17-6-405; R17-6-406; R17-6-408; R17-6-409 | 15' 10" | | Over 14' - 16' = R | |
| Interstate 40 | MP 121.07 (West Seligman TI) to MP 139.88 (Crookton Road TI) | R17-6-405; R17-6-406; R17-6-408; R17-6-409 | | | Over 14' - 16' = R | |
| Interstate 40 | MP 139.88 Westbound (Crookton Road Underpass - Structure 1177) | R17-6-405; R17-6-406; R17-6-408; R17-6-409 | 15' 9" | | Over 14' - 16' = R | |
| Interstate 40 | MP 139.88 (Crookton Road TI) to MP 167.52 (Garland Prairie TI) | R17-6-405; R17-6-406; R17-6-408; R17-6-409 | | | Over 14' - 16' = R | |
| Interstate 40 | MP 167.52 (Garland Prairie Underpass - Structure 739) | R17-6-405; R17-6-406; R17-6-408; R17-6-409 | 15' 11" | | Over 14' - 16' = R | |
| Interstate 40 | MP 167.52 (Garland Prairie TI) to MP 178.24 (Parks Road TI) | R17-6-405; R17-6-406; R17-6-408; R17-6-409 | | | Over 14' - 16' = R | |
| Interstate 40 | MP 178.24 Eastbound (Parks Road Underpass - Structure 743) | R17-6-405; R17-6-406; R17-6-408; R17-6-409 | 15' 10" | | Over 14' - 16' = R | |
| Interstate 40 | MP 178.24 (Parks Road TI) to MP 201.10 (Country Club Road TI) | R17-6-405; R17-6-406; R17-6-408; R17-6-409 | | | Over 14' - 16' = R | |
| Interstate 40 | MP 201.10 Westbound (Country Club Road Underpass - Structure 1926) | R17-6-405; R17-6-406; R17-6-408; R17-6-409 | 15' 11" | | Over 14' - 16' = R | |
| Interstate 40 | MP 201.10 (Country Club Road TI) to MP 204.87 (Walnut Canyon TI) | R17-6-405; R17-6-406; R17-6-408; R17-6-409 | | | Over 14' - 16' = R | |
| Interstate 40 | MP 204.87 Eastbound (Walnut Canyon Underpass - Structure 1270) | R17-6-405; R17-6-406; R17-6-408; R17-6-409 | 15' 9" | | Over 14' - 16' = R | |
| Interstate 40 | MP 204.87 Westbound (Walnut Canyon Underpass - Structure 1271) | R17-6-405; R17-6-406; R17-6-408; R17-6-409 | 15' 11" | | Over 14' - 16' = R | |
| Interstate 40 | MP 204.87 (Walnut Canyon TI) to MP 207.24 (Cosnino Road) | R17-6-405; R17-6-406; R17-6-408; R17-6-409 | | | Over 14' - 16' = R | |
| Interstate 40 | MP 207.24 Westbound (Cosnino Road Underpass - Structure 1361) | R17-6-405; R17-6-406; R17-6-408; R17-6-409 | 15' 6" | | Over 14' - 16' = R | |
| Interstate 40 | MP 207.24 (Cosnino Road) to MP 211.16 (Winona TI) | R17-6-405; R17-6-406; R17-6-408; R17-6-409 | | | Over 14' - 16' = R | |
| Interstate 40 | MP 211.16 Westbound (Winona Underpass - Structure 1084) | R17-6-405; R17-6-406; R17-6-408; R17-6-409 | 15' 9" | | Over 14' - 16' = R | |
| Interstate 40 | MP 211.16 (Winona TI) to MP 280.64 (Hunt Road TI) | R17-6-405; R17-6-406; R17-6-408; R17-6-409 | | | Over 14' - 16' = R | |
| Interstate 40 | MP 280.64 Westbound (Hunt Road Underpass - Structure 930) | R17-6-405; R17-6-406; R17-6-408; R17-6-409 | 15' 9" | | Over 14' - 16' = R | |
| Interstate 40 | MP 280.64 (Hunt Road TI) to MP 294.55 Eastbound (Sun Valley Road TI) | R17-6-405; R17-6-406; R17-6-408; R17-6-409 | | | Over 14' - 16' = R | |
| Interstate 40 | 294.55 Eastbound (Sun Valley Road Underpass - Structure 931) | R17-6-405; R17-6-406; R17-6-408; R17-6-409 | 15' 10" | | Over 14' - 16' = R | |
| Interstate 40 | MP 294.55 Eastbound (Sun Valley Road TI) to MP 320.00 (Pinta TI) | R17-6-405; R17-6-406; R17-6-408; R17-6-409 | | | Over 14' - 16' = R | |
| Interstate 40 | MP 320.00 Westbound (Pinta Underpass - Structure 708) | R17-6-405; R17-6-406; R17-6-408; R17-6-409 | 15' 9" | | Over 14' - 16' = R | |

Department of Transportation – Oversize and Overweight Special Permits

| Route | Restriction Location (MP = Milepost) | Transport Subject to: | Height | Length | Width | Weight (in lbs) |
|-----------------------------------------------------------------------------------------------------------------------------|-----------------------------------------------------------------------------------|-------------------------------------------------------|---------|--------|----------------------|-----------------|
| Escort requirements: F = front escort, R = rear escort, F/R = front and rear escort, and LE = law enforcement escort | | | | | | |
| Interstate 40 | MP 320.00 (Pinta TI) to MP 325.92 (Navajo TI) | R17-6-405; R17-6-406; R17-6-408; R17-6-409 | | | Over 14' - 16' = R | |
| Interstate 40 | MP 325.92 Eastbound (Navajo Underpass - Structure 709) | R17-6-405; R17-6-406; R17-6-408; R17-6-409 | 15' 11" | | Over 14' - 16' = R | |
| Interstate 40 | MP 325.92 Westbound (Navajo Underpass - Structure 709) | R17-6-405; R17-6-406; R17-6-408; R17-6-409 | 15' 9" | | Over 14' - 16' = R | |
| Interstate 40 | MP 325.92 (Navajo TI) to MP 330.00 (Mc Carroll Road TI) | R17-6-405; R17-6-406; R17-6-408; R17-6-409 | | | Over 14' - 16' = R | |
| Interstate 40 | MP 330.00 (Mc Carroll Road Underpass - Structure 710) | R17-6-405; R17-6-406; R17-6-408; R17-6-409 | 15' 10" | | Over 14' - 16' = R | |
| Interstate 40 | MP 330.00 (Mc Carroll Road TI) to MP 333.41 (Chambers TI) | R17-6-405; R17-6-406; R17-6-408; R17-6-409 | | | Over 14' - 16' = R | |
| Interstate 40 | MP 333.41 Westbound (Chambers Underpass - Structure 814) | R17-6-405; R17-6-406; R17-6-408; R17-6-409 | 15' 9" | | Over 14' - 16' = R | |
| Interstate 40 | MP 333.41 (Chambers TI) to MP 339.46 (Sanders TI) | R17-6-405; R17-6-406; R17-6-408; R17-6-409 | | | Over 14' - 16' = R | |
| Interstate 40 | MP 339.46 Westbound (Sanders Underpass - Structure 815) | R17-6-405; R17-6-406; R17-6-408; R17-6-409 | 15' 10" | | Over 14' - 16' = R | |
| Interstate 40 | MP 339.46 (Sanders TI) to MP 341.81 (Ortega Road TI) | R17-6-405; R17-6-406; R17-6-408; R17-6-409 | | | Over 14' - 16' = R | |
| Interstate 40 | MP 341.81 Westbound (Ortega Road Underpass - Structure 816) | R17-6-405; R17-6-406; R17-6-408; R17-6-409 | 15' 10" | | Over 14' - 16' = R | |
| Interstate 40 | MP 341.81 (Ortega Road TI) to MP 343.83 (Querino TI) | R17-6-405; R17-6-406; R17-6-408; R17-6-409 | | | Over 14' - 16' = R | |
| Interstate 40 | MP 343.83 Eastbound (Querino Underpass - Structure 951) | R17-6-405; R17-6-406; R17-6-408; R17-6-409 | 15' 10" | | Over 14' - 16' = R | |
| Interstate 40 | MP 343.83 (Querino TI) to MP 348.16 (Houck TI) | R17-6-405; R17-6-406; R17-6-408; R17-6-409 | | | Over 14' - 16' = R | |
| Interstate 40 | MP 348.16 Eastbound (Houck Underpass - Structure 955) | R17-6-405; R17-6-406; R17-6-408; R17-6-409 | 15' 11" | | Over 14' - 16' = R | |
| Interstate 40 | MP 348.16 (Houck TI) to MP 359.63 (New Mexico State Line) | R17-6-405; R17-6-406; R17-6-408; R17-6-409 | | | Over 14' - 16' = R | |
| Interstate 40 (Frontage Road) | MP 300.75 - (Little Lithodendron Bridge - South Frontage Road - Structure 2057) | R17-6-406; R17-6-408 | | | Over 14' - 16' = R | 20,000 |
| State Business 8 | MP 0.00 (California State Line) to MP 11.50 (End of route, near I-8 east of Yuma) | R17-6-404; R17-6-405; R17-6-406; R17-6-408; R17-6-409 | | | Over 14' - 16' = F/R | |
| State Business 8 | MP 117.32 (Gila Bend) to MP 122.98 (Junction I-8) | R17-6-406; R17-6-408 | | | Over 14' - 16' = F/R | |
| State Business 10 | MP 303.47 (West Benson) to MP 303.86 (I-10 West Benson TI) | R17-6-406; R17-6-408 | | | Over 14' - 16' = F/R | |
| State Business 10 | MP 303.86 Westbound (I-10 Underpass - Structures 1346 & 1347) | R17-6-406; R17-6-408 | 15' 1' | | Over 14' - 16' = F/R | |
| State Business 10 | MP 303.86 (I-10 West Benson TI) to MP 305.79 (SR 80 Underpass) | R17-6-406; R17-6-408 | | | Over 14' - 16' = F/R | |
| State Business 10 | MP 305.79 Eastbound (SR 80 Underpass - Structure 262) | R17-6-406; R17-6-408 | 14' | | Over 14' - 16' = F/R | |
| State Business 10 | MP 305.79 Westbound (SR 80 Underpass - Structure 262) | R17-6-406; R17-6-408 | 14' 2" | | Over 14' - 16' = F/R | |
| State Business 10 | MP 305.79 (SR 80 Underpass) to MP 305.85 (Railroad Underpass) | R17-6-406; R17-6-408 | | | Over 14' - 16' = F/R | |
| State Business 10 | MP 305.85 Eastbound (Railroad Underpass - Structure 264) | R17-6-406; R17-6-408 | 14' | | Over 14' - 16' = F/R | |
| State Business 10 | MP 305.85 Westbound (Railroad Underpass - Structure 264) | R17-6-406; R17-6-408 | 14' 2" | | Over 14' - 16' = F/R | |
| State Business 10 | MP 305.85 (Railroad Underpass) to MP 306.45 (San Pedro River Bridge) | R17-6-406; R17-6-408 | | | Over 14' - 16' = F/R | |

Department of Transportation – Oversize and Overweight Special Permits

| Route | Restriction Location (MP = Milepost) | Transport Subject to: | Height | Length | Width | Weight (in lbs) |
|-----------------------------------------------------------------------------------------------------------------------------|-------------------------------------------------------------------------------|-----------------------|--------|--------|-----------------------------|-----------------------------------------------------------------------------------------------------------------------------------------------------------------------------------------------------------------------------------------------------------------------------------------------------------------------------------------------------------------------------------------------------------------------------------------------------------|
| Escort requirements: F = front escort, R = rear escort, F/R = front and rear escort, and LE = law enforcement escort | | | | | | |
| State Business 10 | MP 306.45 (San Pedro River Bridge - Structure 350) | R17-6-406; R17-6-408 | | | Over 14' - 16' = F/R + 2 LE | Class A permitted vehicles with a gross weight of: 100,000 or less - no additional restrictions; 100,001 through 150,000 - drivers shall: Coordinate road closures by or under the direction of law enforcement; and Cross on center of bridge at a constant speed of no more than 10 mph while on bridge. Class C permits and special analysis and approval from the ADOT Bridge Group are required for vehicles with a gross weight of 150,001 or more. |
| State Business 10 | MP 306.45 (San Pedro River Bridge) to MP 306.98 (End SB 10 at I-10 Exit #306) | R17-6-406; R17-6-408 | | | Over 14' - 16' = F/R | |
| State Business 10 | MP 336.39 (Begin SB 10 at Exit #336) to MP 340.09 (Junction SR 186) | R17-6-406; R17-6-408 | | | Over 14' - 16' = F/R | |
| State Business 10 | MP 340.09 (Junction SR 186) to MP 344.66 (End SB 10 at I-10 Exit #344) | R17-6-406; R17-6-408 | | | Over 14' - 16' = F/R | |
| State Business 10 | MP 362.48 (West Bowie) to MP 366.88 (End SB 10 at I-10 Exit #366) | R17-6-406; R17-6-408 | | | Over 14' - 16' = F/R | |
| State Business 10 | MP 378.69 (West Simon) to MP 382.50 (End SB 10 at I-10 Exit #382) | R17-6-406; R17-6-408 | | | Over 14' - 16' = F/R | |
| State Business 19 | MP 0.00 (US/Mexico Border) to MP 1.53 (Junction SR 82) | R17-6-406; R17-6-408 | | | Over 14' - 16' = F/R | |
| State Business 19 | MP 1.53 (Junction SR 82) to MP 1.66 (Railroad Underpass) | R17-6-406; R17-6-408 | | | Over 14' - 16' = F/R | |
| State Business 19 | MP 1.66 (Railroad Underpass - Structure 980) | R17-6-406; R17-6-408 | 15' 3" | | Over 14' - 16' = F/R | |
| State Business 19 | MP 1.66 (Railroad Underpass) to MP 5.88 (End SB 19 at I-19) | R17-6-406; R17-6-408 | | | Over 14' - 16' = F/R | |
| State Business 40 | MP 138.81 (West Seligman) to MP 142.20 (I-40 Underpass) | R17-6-406; R17-6-408 | | | Over 14' - 16' = F/R | |
| State Business 40 | MP 142.20 (I-40 Underpass - Structure 1007) | R17-6-406; R17-6-408 | 15' 4" | | Over 14' - 16' = F/R | |
| State Business 40 | MP 142.20 (I-40 Underpass) to MP 142.21 (Railroad Underpass) | R17-6-406; R17-6-408 | | | Over 14' - 16' = F/R | |
| State Business 40 | MP 142.21 (Railroad Underpass - Structure 1273) | R17-6-406; R17-6-408 | 15' 3" | | Over 14' - 16' = F/R | |
| State Business 40 | MP 142.21 (Railroad Underpass) to MP 143.04 (End SB 40 at I-40 Exit #123) | R17-6-406; R17-6-408 | | | Over 14' - 16' = F/R | |
| State Business 40 | MP 144.82 (West Ash Fork) to MP 146.33 (East Ash Fork) | R17-6-406; R17-6-408 | | | Over 14' - 16' = F/R | |
| State Business 40 | MP 146.33 (East Ash Fork) to MP 165.28 (Railroad Underpass) | R17-6-406; R17-6-408 | | | Over 14' - 16' = F/R | |
| State Business 40 | MP 165.28 (Railroad Underpass - Structure 1575) | R17-6-406; R17-6-408 | 14' 7" | | Over 14' - 16' = F/R | |
| State Business 40 | MP 165.28 (Railroad Underpass) to MP 191.44 (Junction I-40) | R17-6-406; R17-6-408 | | | Over 14' - 16' = F/R | |
| State Business 40 | MP 191.44 (Junction I-40) to MP 191.69 (I-40 Underpass) | R17-6-406; R17-6-408 | | | Over 12' - 16' = F/R | Coconino County Jurisdiction |
| State Business 40 | MP 191.69 Northbound (I-40 East Underpass - Structure 1129) | R17-6-406; R17-6-408 | 15' | | Over 12' - 16' = F/R | Coconino County Jurisdiction |
| State Business 40 | MP 191.69 Southbound (I-40 East Underpass - Structure 1129) | R17-6-406; R17-6-408 | 14' 3" | | Over 12' - 16' = F/R | Coconino County Jurisdiction |
| State Business 40 | MP 191.69 Northbound (I-40 West Underpass - Structure 1128) | R17-6-406; R17-6-408 | 14' 3" | | Over 12' - 16' = F/R | Coconino County Jurisdiction |

Department of Transportation – Oversize and Overweight Special Permits

| Route | Restriction Location (MP = Milepost) | Transport Subject to: | Height | Length | Width | Weight (in lbs) |
|-----------------------------------------------------------------------------------------------------------------------------|---------------------------------------------------------------------------------|-------------------------------------------------------|---------|--------|-----------------------------------------------------|--------------------------------------------------------|
| Escort requirements: F = front escort, R = rear escort, F/R = front and rear escort, and LE = law enforcement escort | | | | | | |
| State Business 40 | MP 191.69 Southbound (I-40 West Underpass - Structure 1128) | R17-6-406; R17-6-408 | 15' 8" | | Over 12' - 16' = F/R | Coconino County Jurisdiction |
| State Business 40 | MP 191.69 (I-40 Underpass) to MP 195.96 (Railroad Underpass) | R17-6-406; R17-6-408 | | | Over 12' - 16' = F/R | Coconino County Jurisdiction: MP 191.69 to MP 193.16 |
| State Business 40 | MP 195.96 (Railroad Underpass - Structure 529) | R17-6-406; R17-6-408 | 13' 9" | | Over 12' - 16' = F/R | |
| State Business 40 | MP 195.96 (Railroad Underpass) to MP 196.14 (Junction US 180) | R17-6-406; R17-6-408 | | | Over 12' - 16' = F/R | |
| State Business 40 | MP 196.14 (Junction US 180) to MP 200.32 (Junction US 89) | R17-6-406; R17-6-408 | | | Over 12' - 16' = F/R | City of Flagstaff Jurisdiction: MP 199.91 to MP 200.32 |
| State Business 40 | MP 200.32 (Junction US 89) to MP 200.99 (Junction I-40) | R17-6-406; R17-6-408 | | | Over 12' - 16' = F/R | City of Flagstaff Jurisdiction |
| State Business 40 | MP 274.48 (West Joseph City) to MP 277.33 (East Joseph City) | R17-6-406; R17-6-408 | | | Over 14' - 16' = F/R | |
| State Business 40 | MP 285.00 (West Holbrook) to MP 286.68 (Junction SR 77) | R17-6-406; R17-6-408 | | | Over 14' - 16' = F/R | |
| State Business 40 | MP 286.68 (Junction SR 77) to MP 287.39 (Holbrook Middle I-40 Underpass) | R17-6-406; R17-6-408 | | | Over 14' - 16' = F/R | |
| State Business 40 | 287.39 (Holbrook Middle I-40 Underpass) to MP 289.80 | R17-6-406; R17-6-408 | | | Over 14' - 16' = F/R | |
| State Business 40 | MP 289.80 (East Holbrook, I-40 Underpass - Structure 1369) | R17-6-406; R17-6-408 | 14' 8" | | Over 14' - 16' = F/R | |
| State Business 79 | MP 132.17 (Junction SR 79) to MP 134.03 (Junction SR 79) | R17-6-406; R17-6-408 | | | Over 14' - 16' = F/R | |
| State Route 51 | MP 0.00 (Junctions I-10 and SR Loop 202) to MP 13.62 (Bell Road) | R17-6-404; R17-6-405; R17-6-406; R17-6-408; R17-6-409 | | | Over 14' - 16' = R | |
| State Route 51 | MP 13.62 Northbound (Bell Road Underpass - Structure 2477) | R17-6-404; R17-6-405; R17-6-406; R17-6-408; R17-6-409 | 15' 7" | | Over 14' - 16' = R | |
| State Route 51 | MP 13.62 Southbound (Bell Road Underpass - Structure 2477) | R17-6-404; R17-6-405; R17-6-406; R17-6-408; R17-6-409 | 14' 10" | | Over 14' - 16' = R | |
| State Route 51 | MP 13.62 (Bell Road) to MP 15.90 (Junction SR Loop 101) | R17-6-404; R17-6-405; R17-6-406; R17-6-408; R17-6-409 | | | Over 14' - 16' = R | |
| State Route 61 | MP 352.88 (Junction US 60) to MP 381.86 (Junction US 180) | R17-6-406; R17-6-408 | | | Over 12' - 16' = F/R | |
| State Route 61 | MP 416.49 (Junction US 191) to MP 430.26 (New Mexico State Line) | R17-6-406; R17-6-408 | | | Over 10' - 16' = F/R | |
| State Route 64 | MP 185.46 (Junction I-40 in Williams) to MP 237.10 (Grand Canyon National Park) | R17-6-406; R17-6-408 | | | Over 12' - 16' = F/R | |
| State Route 64 | MP 267.10 (Grand Canyon National Park) to MP 295.83 (Junction US 89) | R17-6-406; R17-6-408 | | | Over 12' - 16' = F/R | |
| State Route 66 | MP 56.70 (Junction I-40) to MP 123.10 (Route end) | R17-6-406; R17-6-408 | | | Over 14' - 16' = F/R | |
| State Route 67 | MP 579.36 (Junction US 89A) to MP 610.26 (North Rim) | R17-6-406; R17-6-408; Seasonal Road Closure | | | Over 12' - 14' = F/R Over 14' - 16' = F/R + 2 LE | 20,000 |
| State Route 68 | MP 1.10 (Junction SR 95) to MP 27.10 (Junction US 93) | R17-6-405; R17-6-406; R17-6-408; R17-6-409 | | | Over 14' - 16' = F/R | |
| State Route 69 | MP 262.20 (Junction I-17) to MP 296.00 (Junction SR 89) | R17-6-405; R17-6-406; R17-6-408; R17-6-409 | | | Over 14' - 16' = F/R | |
| State Route 71 | MP 86.10 (Junction US 60) to MP 102.90 (SR 71 Overpass) | R17-6-406; R17-6-408 | | | Over 12' - 16' = F/R | |
| State Route 71 | MP 102.90 (SR 71 Overpass - Structure 842) | R17-6-406; R17-6-408 | 14' 10" | | Over 12' - 16' = F/R | |
| State Route 71 | MP 102.90 (SR 71 Overpass) to MP 109.70 (Junction SR 89) | R17-6-406; R17-6-408 | | | Over 12' - 16' = F/R | |
| State Route 72 | MP 13.10 (Junction SR 95) to MP 49.60 (Junction US 60) | R17-6-406; R17-6-408 | | | Over 12' - 14' = F/R Over 14' - 16' = F/R + 2 LE | |
| State Route 73 | MP 310.40 (Junction US 60) to MP 334.72 (White River) | R17-6-406; R17-6-408 | | | Over 10' - 14' = F/R Over 14' - 16' = F/R + 2 LE | |

Department of Transportation – Oversize and Overweight Special Permits

| Route | Restriction Location (MP = Milepost) | Transport Subject to: | Height | Length | Width | Weight (in lbs) |
|-----------------------------------------------------------------------------------------------------------------------------|-----------------------------------------------------------------------------------------------|-------------------------------------------------------|--------|-----------------------------------------------------------------|-----------------------------------------------------|----------------------------------------------------|
| Escort requirements: F = front escort, R = rear escort, F/R = front and rear escort, and LE = law enforcement escort | | | | | | |
| State Route 73 | MP 334.72 (White River) to MP 357.72 (Junction SR 260) | R17-6-406; R17-6-408 | | | Over 14' - 16' = F/R | |
| State Route 74 | MP 0.00 (Junction US 60) to MP 30.84 (Junction I-17) | R17-6-406; R17-6-408 | | | Over 14' - 16' = F/R | |
| State Route 75 | MP 378.92 (Junction US 70) to MP 398.43 (Junction US 191) | R17-6-406; R17-6-408 | | | Over 14' - 16' = F/R | |
| State Route 77 | MP 68.05 (Junction I-10 in Tucson) to MP 74.84 (Ina Road) | R17-6-404; R17-6-405; R17-6-406; R17-6-408; R17-6-409 | | | Over 14' - 16' = F/R | |
| State Route 77 | MP 74.84 (Ina Road) to MP 79.48 (Tangerine Road) | R17-6-404; R17-6-405; R17-6-406; R17-6-408; R17-6-409 | | | Over 14' - 16' = F/R | |
| State Route 77 | MP 79.48 (Tangerine Road) to MP 91.13 (Junction SR 79) | R17-6-406; R17-6-408 | | | Over 14' - 16' = F/R | |
| State Route 77 | MP 91.13 (Junction SR 79) to MP 113.60 (Mammoth) | R17-6-406; R17-6-408 | | | Over 14' - 16' = F/R | |
| State Route 77 | MP 113.60 (Mammoth) to MP 134.80 (Junction SR 177) | R17-6-406; R17-6-407; R17-6-408 | | 80'+ unarticulated requires F/R; 110'+ articulated requires F/R | Over 12' - 14' = F/R Over 14' - 16' = F/R + 2 LE | |
| State Route 77 | MP 134.80 (Junction SR 177) to MP 170.90 (Junction US 70) | R17-6-406; R17-6-408 | | 80'+ unarticulated requires F/R; 110'+ articulated requires F/R | Over 12' - 14' = F/R Over 14' - 16' = F/R + 2 LE | |
| State Route 77 | MP 342.20 (Junction US 60, Show Low) to MP 361.05 (Junction SR 277) | R17-6-406; R17-6-408 | | | Over 12' - 16' = F/R | |
| State Route 77 | MP 361.05 (Junction SR 277) to MP 386.20 (Junction SR 377) | R17-6-406; R17-6-408 | | | Over 12' - 16' = F/R | |
| State Route 77 | MP 386.20 (Junction SR 377) to MP 387.81 (Junction US 180) | R17-6-406; R17-6-408 | | | Over 12' - 16' = F/R | |
| State Route 77 | MP 387.81 (Junction US 180) to MP 388.67 (Junction SB 40, Holbrook) | R17-6-406; R17-6-408 | | | Over 12' - 16' = F/R | |
| State Route 77 | MP 395.05 (I-40 east of Holbrook) to MP 408.93 (End of State Route at Navajo Nation boundary) | R17-6-406; R17-6-408 | | | Over 12' - 16' = F/R | |
| State Route 78 | MP 154.55 (Junctions SR 75 and US 191) to MP 174.73 (New Mexico State Line) | R17-6-406; R17-6-408 | | | Over 12' - 14' = F/R Over 14' - 16' = F/R + 2 LE | |
| State Route 79 | MP 91.14 (Junction SR 77) to MP 132.17 (Junction SB 79) | R17-6-406; R17-6-408 | | | Over 14' - 16' = F/R + 2 LE | |
| State Route 79 | MP 134.03 (Junction SB 79) to MP 150.28 (Junction US 60) | R17-6-406; R17-6-408 | | | Over 14' - 16' = F/R | |
| State Route 80 | MP 293.27 (Junction SB 10 in Benson) to MP 339.06 (Mule Pass Tunnel) | R17-6-406; R17-6-408 | | | Over 14' - 16' = F/R | |
| State Route 80 | MP 339.06 (Mule Pass Tunnel - Structure 538) | R17-6-406; R17-6-408 | 14' | | Over 14' - 16' = F/R | |
| State Route 80 | MP 339.06 (Mule Pass Tunnel) to MP 343.01 (Lowell Underpass) | R17-6-406; R17-6-408 | | | Over 14' - 16' = F/R | |
| State Route 80 | MP 343.01 (Lowell Underpass - Structure 269) | R17-6-406; R17-6-408 | 14' 7" | | Over 14' - 16' = F/R | |
| State Route 80 | MP 343.01 (Lowell Underpass) to MP 348.15 (Mulepass-Lowell Arch) | R17-6-406; R17-6-408 | | | Over 14' - 16' = F/R | |
| State Route 80 | MP 348.15 (Mulepass-Lowell Arch - Structure 130) | R17-6-406; R17-6-408 | | | Over 14' - 16' = F/R | Legal weight as provided under R17-6-102, Table 1. |
| State Route 80 | MP 348.15 (Mulepass-Lowell Arch) to MP 352.38 (Glance Creek Bridge) | R17-6-406; R17-6-408 | | | Over 14' - 16' = F/R | |
| State Route 80 | MP 352.38 (Glance Creek Bridge - Structure 237) | R17-6-406; R17-6-408 | | | Over 14' - 16' = F/R | Legal weight as provided under R17-6-102, Table 1. |
| State Route 80 | MP 352.38 (Glance Creek Bridge) to MP 364.66 (Douglas) | R17-6-406; R17-6-408 | | | Over 14' - 16' = F/R | |
| State Route 80 | MP 364.66 (Douglas) to MP 366.12 (Junction US 191) | R17-6-406; R17-6-408 | | | Over 12' - 16' = F/R | |

Department of Transportation – Oversize and Overweight Special Permits

| Route | Restriction Location (MP = Milepost) | Transport Subject to: | Height | Length | Width | Weight (in lbs) |
|-----------------------------------------------------------------------------------------------------------------------------|-----------------------------------------------------------------------------|-------------------------------------------------------|---------|--------|--------------------------------------------------------|-----------------|
| Escort requirements: F = front escort, R = rear escort, F/R = front and rear escort, and LE = law enforcement escort | | | | | | |
| State Route 80 | MP 366.12 (Junction US 191) to MP 415.39 (New Mexico State Line) | R17-6-406; R17-6-408 | | | Over 12' - 16' = F/R | |
| State Route 82 | MP 0.00 (Junction SB 19) to MP 32.36 (Junction SR 83) | R17-6-406; R17-6-408 | | | Over 12' - 14' = F/R Over 14' - 16' = F/R + 3 LE | |
| State Route 82 | MP 32.36 (Junction SR 83) to MP 51.59 (Junction SR 90) | R17-6-406; R17-6-408 | | | Over 12' - 14' = F/R Over 14' - 16' = F/R + 3 LE | |
| State Route 82 | MP 51.59 (Junction SR 90) to MP 67.57 (Junction SR 80) | R17-6-406; R17-6-408 | | | Over 12' - 14' = F/R Over 14' - 16' = F/R + 2 LE | |
| State Route 83 | MP 3.19 (Parker Canyon Lake) to MP 31.63 (Junction SR 82) | R17-6-406; R17-6-408 | | | Over 10' - 14' = F/R Over 14' - 16' = F/R + 2 LE | |
| State Route 83 | MP 31.63 (Junction SR 82) to MP 58.00 (Junction I-10) | R17-6-406; R17-6-408 | | | Over 12' - 14' = F/R Over 14' - 16' = F/R + 2 LE | |
| State Route 84 | MP 155.13 (Junction I-8) to MP 177.60 (Railroad Underpass) | R17-6-406; R17-6-408 | | | Over 14' - 16' = F/R | |
| State Route 84 | MP 177.66 Eastbound (Railroad Underpass - Structure 143) | R17-6-406; R17-6-408 | 13' 3" | | Over 14' - 16' = F/R | |
| State Route 84 | MP 177.66 Westbound (Railroad Underpass - Structure 1062) | R17-6-406; R17-6-408 | 14' | | Over 14' - 16' = F/R | |
| State Route 84 | MP 177.60 (Railroad Underpass) to MP 177.97 (Junctions SR 387 and SR 287) | R17-6-406; R17-6-408 | | | Over 14' - 16' = F/R | |
| State Route 85 | MP 0.00 (Junction SB 8) to MP 0.35 (I-8 Underpass) | R17-6-406; R17-6-408 | | | Over 14' - 16' = F/R + 2 LE | |
| State Route 85 | MP 0.35 (I-8 Underpass - Structure 702) | R17-6-406; R17-6-408 | 14' 5" | | Over 14' - 16' = F/R + 2 LE | |
| State Route 85 | MP 0.35 (I-8 Underpass) to MP 0.37 (Railroad Underpass) | R17-6-406; R17-6-408 | | | Over 14' - 16' = F/R + 2 LE | |
| State Route 85 | MP 0.37 (Railroad Underpass - Structure 734) | R17-6-406; R17-6-408 | 14' 5" | | Over 14' - 16' = F/R + 2 LE | |
| State Route 85 | MP 0.37 (Railroad Underpass) to MP 0.60 (I-8 Overpass) | R17-6-406; R17-6-408 | | | Over 14' - 16' = F/R + 2 LE | |
| State Route 85 | MP 0.60 (I-8 Overpass WB/EB - Structures 1557 & 1558) | R17-6-406; R17-6-408 | 14' 11" | | Over 14' - 16' = F/R + 2 LE | |
| State Route 85 | MP 0.60 (I-8 Overpass) to MP 39.70 (Ajo) | R17-6-406; R17-6-408 | | | Over 14' - 16' = F/R + 2 LE | |
| State Route 85 | MP 39.70 (Ajo) to MP 80.69 (US/Mexico Border) | R17-6-406; R17-6-408 | | | Over 12' - 14' = F/R Over 14' - 16' = F/R + 2 LE | |
| State Route 85 | MP 120.31 (Junction SB 8) to MP 154.48 (Junction I-10) | R17-6-405; R17-6-406; R17-6-408; R17-6-409 | | | Over 14' - 16' = F/R | |
| State Route 86 | MP 53.00 (Junction SR 85) to MP 150.42 (Junction SR 286) | R17-6-406; R17-6-408 | | | Over 12' - 14' = F/R Over 14' - 16' = F/R + 2 LE | |
| State Route 86 | MP 150.42 (Junction SR 286) to MP 164.04 (Camino Verde Road) | R17-6-406; R17-6-408 | | | Over 14' - 16' = F/R | |
| State Route 86 | MP 164.04 (Camino Verde Road) to MP 171.44 (Junction I-19) | R17-6-404; R17-6-405; R17-6-406; R17-6-408; R17-6-409 | | | Over 14' - 16' = F/R | |
| State Route 87 | MP 115.20 (Junction I-10) to MP 115.20 (I-10 Overpass) | R17-6-406; R17-6-408 | | | Over 14' - 16' = F/R | |
| State Route 87 | MP 115.20 Northbound (I-10 Overpass) | R17-6-406; R17-6-408 | 15' 3" | | Over 14' - 16' = F/R | |
| State Route 87 | MP 115.20 Southbound (I-10 Overpass) | R17-6-406; R17-6-408 | 15' 2" | | Over 14' - 16' = F/R | |
| State Route 87 | MP 115.20 (Junction I-10) to MP 162.67 (Junction Ocotillo Road in Chandler) | R17-6-406; R17-6-408 | | | Over 14' - 16' = F/R | |
| State Route 87 | MP 172.22 (Junction US 60) to MP 176.74 (Junction SR 202 Overpass) | R17-6-405; R17-6-406; R17-6-408; R17-6-409 | | | Over 14' - 16' = F/R | |
| State Route 87 | MP 176.74 (Junction SR 202 Overpass) | R17-6-405; R17-6-406; R17-6-408; R17-6-409 | 15' 8" | | Over 14' - 16' = F/R | |
| State Route 87 | MP 176.74 (Junction SR 202 Overpass) to MP 252.50 (Junction SR 260, Payson) | R17-6-405; R17-6-406; R17-6-408; R17-6-409 | | | Over 14' - 16' = F/R | |

Department of Transportation – Oversize and Overweight Special Permits

| Route | Restriction Location (MP = Milepost) | Transport Subject to: | Height | Length | Width | Weight (in lbs) |
|-----------------------------------------------------------------------------------------------------------------------------|---------------------------------------------------------------------------|---------------------------------------|--------|----------------------------------|-----------------------------------------------------|----------------------------------------------------|
| Escort requirements: F = front escort, R = rear escort, F/R = front and rear escort, and LE = law enforcement escort | | | | | | |
| State Route 87 | MP 252.50 (Junction SR 260, Payson) to MP 278.80 (Junction SR 260) | R17-6-406; R17-6-407; R17-6-408 | | 40'+ requires F/R + 2 LE | Over 12' - 14' = F/R Over 14' - 16' = F/R + 2 LE | |
| State Route 87 | MP 278.80 (Junction SR 260) to MP 340.94 (Junction SR 99) | R17-6-406; R17-6-407; R17-6-408 | | | Over 12' - 14' = F/R Over 14' - 16' = F/R + 3 LE | |
| State Route 87 | MP 340.94 (Junction SR 99) to MP 342.10 (Railroad Underpass, Winslow) | R17-6-406; R17-6-407; R17-6-408 | | | Over 12' - 14' = F/R Over 14' - 16' = F/R + 3 LE | |
| State Route 87 | MP 342.10 (Railroad Underpass, Winslow - Structure 194) | R17-6-406; R17-6-407; R17-6-408 | 14' 6" | | Over 12' - 14' = F/R Over 14' - 16' = F/R + 3 LE | |
| State Route 87 | MP 342.10 (Railroad Underpass, Winslow) to MP 342.23 (Junction SB 40) | R17-6-406; R17-6-407; R17-6-408 | | | Over 12' - 14' = F/R Over 14' - 16' = F/R + 3 LE | |
| State Route 87 | MP 343.56 (SB 40 in Winslow) to MP 406.04 (Junction SR 264) | R17-6-406; R17-6-408 | | | Over 12' - 14' = F/R Over 14' - 16' = F/R + 2 LE | |
| State Route 88 | MP 193.85 (Junction US 60) to MP 202.84 (Apache Trail Marker) | R17-6-406; R17-6-408 | | | Over 8' requires class C permit | |
| State Route 88 | MP 202.84 (Apache Trail Marker) to MP 209.62 (First Water Creek Bridge) | R17-6-406; R17-6-408 | | Over 40' requires class C permit | Over 8' requires class C permit | |
| State Route 88 | MP 209.62 (First Water Creek Bridge - Structure 26) | R17-6-406; R17-6-408 | 14' 3" | Over 40' requires class C permit | Over 8' requires class C permit | Legal weight as provided under R17-6-102, Table 1. |
| State Route 88 | MP 209.62 (First Water Creek Bridge) to MP 211.05 (Boulder Canyon Bridge) | R17-6-406; R17-6-408 | | Over 40' requires class C permit | Over 8' requires class C permit | |
| State Route 88 | MP 211.05 (Boulder Canyon Bridge - Structure 193) | R17-6-406; R17-6-408 | 14' 3" | Over 40' requires class C permit | Over 8' requires class C permit | Legal weight as provided under R17-6-102, Table 1. |
| State Route 88 | MP 211.05 (Boulder Canyon Bridge) to MP 220.20 (End of pavement) | R17-6-406; R17-6-408 | | Over 40' requires class C permit | Over 8' requires class C permit | |
| State Route 88 | MP 220.20 (End of pavement) to MP 222.00 (Fish Creek Hill) | R17-6-406; R17-6-408 | | No trucks over 40' | Over 8' requires class C permit | Over 20,000 requires class C permit |
| State Route 88 | MP 222.00 (Fish Creek Hill) to MP 223.50 (Fish Creek Bridge) | R17-6-406; R17-6-408; One lane road | | No trucks over 40' | Over 8' requires class C permit | Over 20,000 requires class C permit |
| State Route 88 | MP 223.50 (Fish Creek Bridge - Structure 27) | R17-6-406; R17-6-408; One lane bridge | | No trucks over 40' | Over 8' requires class C permit | Over 20,000 requires class C permit |
| State Route 88 | MP 223.50 (Fish Creek Bridge) to MP 224.40 (End of one lane road) | R17-6-406; R17-6-408 | | No trucks over 40' | Over 8' requires class C permit | Over 20,000 requires class C permit |
| State Route 88 | MP 224.40 (End of one lane road) to MP 224.60 (Lewis Pranty Creek Bridge) | R17-6-406; R17-6-408 | | No trucks over 40' | Over 8' requires class C permit | Over 20,000 requires class C permit |
| State Route 88 | MP 224.60 (Lewis Pranty Creek Bridge - Structure 28) | R17-6-406; R17-6-408 | | No trucks over 40' | Over 8' requires class C permit | Over 20,000 requires class C permit |
| State Route 88 | MP 224.60 (Lewis Pranty Creek Bridge) to MP 225.55 (Dry Wash Bridge) | R17-6-406; R17-6-408 | | No trucks over 40' | Over 8' requires class C permit | Over 20,000 requires class C permit |
| State Route 88 | MP 225.55 (Dry Wash Bridge - Structure 15) | R17-6-406; R17-6-408 | | No trucks over 40' | Over 8' requires class C permit | Over 20,000 requires class C permit |
| State Route 88 | MP 225.55 (Dry Wash Bridge) to MP 226.60 (ADOT Maintenance Yard) | R17-6-406; R17-6-408 | | No trucks over 40' | Over 8' requires class C permit | Over 20,000 requires class C permit |
| State Route 88 | MP 226.60 (ADOT Maintenance Yard) to MP 233.50 (Pine Creek Bridge) | R17-6-406; R17-6-408 | | Over 40' requires class C permit | Over 8' requires class C permit | |
| State Route 88 | MP 233.50 (Pine Creek Bridge - Structure 31) | R17-6-406; R17-6-408 | | Over 40' requires class C permit | Over 8' requires class C permit | Legal weight as provided under R17-6-102, Table 1. |
| State Route 88 | MP 233.50 (Pine Creek Bridge) to MP 240.57 (Begin Pavement) | R17-6-406; R17-6-408 | | Over 40' requires class C permit | Over 8' requires class C permit | |
| State Route 88 | MP 240.57 (Begin Pavement) to MP 242.40 (Junction SR 188) | R17-6-406; R17-6-408 | | Over 40' requires class C permit | Over 8' requires class C permit | |
| State Route 89 | MP 258.20 (Junction US 93) to MP 295.00 (Wilhoit) | R17-6-406; R17-6-408 | | | Over 12' - 16' = F/R | |

Department of Transportation – Oversize and Overweight Special Permits

| Route | Restriction Location (MP = Milepost) | Transport Subject to: | Height | Length | Width | Weight (in lbs) |
|-----------------------------------------------------------------------------------------------------------------------------|----------------------------------------------------------------------------------|--------------------------------------------|--------|----------------------------------|-----------------------------------------------------|-----------------------------------------------------------------------------------------------------------------------------------------------------------------------------------------------------------------------------------------------------------------------------------------------------------------------------------------------------------------------------------------------------------------------------------------------------------|
| Escort requirements: F = front escort, R = rear escort, F/R = front and rear escort, and LE = law enforcement escort | | | | | | |
| State Route 89 | MP 295.00 (Wilhoit) to MP 309.00 (Prescott City Limits) | R17-6-406; R17-6-408 | | Over 40' requires class C permit | Over 8' requires class C permit | |
| State Route 89 | MP 309.00 (Prescott City Limits) to MP 309.45 (Granite Creek Bridge #2) | R17-6-406; R17-6-408 | | | Over 12' - 16' = F/R + 2 LE | |
| State Route 89 | MP 309.45 (Granite Creek Bridge #2 - Structure 106) | R17-6-406; R17-6-408 | | | Over 12' - 16' = F/R + 2 LE | Legal weight as provided under R17-6-102, Table 1. |
| State Route 89 | MP 309.45 (Granite Creek Bridge #2) to MP 320.00 (Willow Creek Road) | R17-6-406; R17-6-408 | | | Over 12' - 14' = F/R Over 14' - 16' = F/R + 2 LE | City of Prescott Jurisdiction: MP 310.26 to MP 319.00 & MP 312.57 to MP 312.95 |
| State Route 89 | MP 320.00 (Willow Creek Road) to MP 345.70 (Hell Canyon Bridge) | R17-6-406; R17-6-408 | | | Over 12' - 14' = F/R Over 14' - 16' = F/R + 2 LE | |
| State Route 89 | MP 345.70 (Hell Canyon Bridge - Structure 483) | R17-6-406; R17-6-408 | | | Over 12' - 14' = F/R Over 14' - 16' = F/R + 2 LE | Legal weight as provided under R17-6-102, Table 1. |
| State Route 89 | 345.70 (Hell Canyon Bridge) to MP 363.00 (Junction I-40) | R17-6-406; R17-6-408 | | | Over 12' - 14' = F/R Over 14' - 16' = F/R + 2 LE | |
| State Route 89A | MP 317.80 (Junction SR 89) to MP 331.00 (Old Fain Road) | R17-6-406; R17-6-408 | | | Over 14' - 16' = F/R | |
| State Route 89A | MP 331.00 (Old Fain Road) to MP 348.00 (Clarkdale) | R17-6-406; R17-6-408 | | Over 50' requires class C permit | Over 8' requires class C permit | |
| State Route 89A | MP 348.00 (Clarkdale) to MP 355.21 (Junction SR 260) | R17-6-406; R17-6-408 | | | Over 14' - 16' = F/R | |
| State Route 89A | MP 355.21 (Junction SR 260) to MP 374.14 (Junction SR 179) | R17-6-406; R17-6-408 | | | Over 14' - 16' = F/R | |
| State Route 89A | MP 374.14 (Junction SR 179) to MP 375.66 (Midgley/Wilson Canyon Bridge) | R17-6-406; R17-6-408 | | Over 50' requires class C permit | Over 10' - 12' = F/R Over 12' - 16' = F/R + 2 LE | |
| State Route 89A | MP 375.66 (Midgley/Wilson Canyon Bridge - Structure 232) | R17-6-406; R17-6-408 | | Over 50' requires class C permit | Over 10' - 12' = F/R Over 12' - 16' = F/R + 2 LE | Class A permitted vehicles with a gross weight of: 100,000 or less - no additional restrictions; 100,001 through 150,000 - drivers shall: Coordinate road closures by or under the direction of law enforcement; and Cross on center of bridge at a constant speed of no more than 10 mph while on bridge. Class C permits and special analysis and approval from the ADOT Bridge Group are required for vehicles with a gross weight of 150,001 or more. |
| State Route 89A | MP 375.66 (Midgley/Wilson Canyon Bridge) to MP 398.96 (JW Powell Boulevard/I-17) | R17-6-406; R17-6-408 | | Over 50' requires class C permit | Over 10' - 12' = F/R Over 12' - 16' = F/R + 2 LE | |
| State Route 89A Spur | MP 324.47 (Junction SR 89A) to MP 331.63 (Junction SR 69) | R17-6-406; R17-6-408 | | | Over 14' - 16' = F/R | |
| State Route 90 | MP 289.59 (Junction I-10) to MP 336.40 (Junction SR 80) | R17-6-405; R17-6-406; R17-6-408; R17-6-409 | | | Over 14' - 16' = F/R | |
| State Route 92 | MP 321.00 (Junction SR 90) to MP 340.56 (San Pedro River bridge) | R17-6-406; R17-6-408 | | | Over 14' - 16' = F/R | |

Department of Transportation – Oversize and Overweight Special Permits

| Route | Restriction Location (MP = Milepost) | Transport Subject to: | Height | Length | Width | Weight (in lbs) |
|-----------------------------------------------------------------------------------------------------------------------------|---------------------------------------------------------------------------------------|--------------------------------------------|--------|--------|-----------------------------------------------------|-----------------------------------------------------------------------------------------------------------------------------------------------------------------------------------------------------------------------------------------------------------------------------------------------------------------------------------------------------------------------------------------------------------------------------------------------------------|
| Escort requirements: F = front escort, R = rear escort, F/R = front and rear escort, and LE = law enforcement escort | | | | | | |
| State Route 92 | MP 340.56 (San Pedro River bridge - Structure 449) | R17-6-406; R17-6-408 | | | Over 14' - 16' = F/R + 2 LE | Class A permitted vehicles with a gross weight of: 100,000 or less - no additional restrictions; 100,001 through 150,000 - drivers shall: Coordinate road closures by or under the direction of law enforcement; and Cross on center of bridge at a constant speed of no more than 10 mph while on bridge. Class C permits and special analysis and approval from the ADOT Bridge Group are required for vehicles with a gross weight of 150,001 or more. |
| State Route 92 | MP 340.56 (San Pedro River bridge) to MP 355.00 (Junction SR 80) | R17-6-406; R17-6-408 | | | Over 14' - 16' = F/R | |
| State Route 95 | MP 109.04 (at SB 10 in Quartzsite) to MP 131.68 (Junction SR 72) | R17-6-406; R17-6-408 | | | Over 14' - 16' = F/R | |
| State Route 95 | MP 131.68 (Junction SR 72) to MP 143.93 (Junction SR 95 Spur) | R17-6-406; R17-6-408 | | | Over 14' - 16' = F/R | |
| State Route 95 | MP 143.93 (Junction SR 95 Spur) to MP 144.75 (Airport Road in Parker) | R17-6-406; R17-6-408 | | | Over 14' - 16' = F/R | |
| State Route 95 | MP 144.75 (Airport Road in Parker) to MP 187.51 (Chenowith Drive in Lake Havasu City) | R17-6-406; R17-6-408 | | | Over 14' - 16' = F/R | |
| State Route 95 | MP 187.51 (Chenowith Drive in Lake Havasu City) to MP 202.06 (Junction I-40) | R17-6-406; R17-6-408 | | | Over 14' - 16' = F/R | |
| State Route 95 | MP 226.08 (California State Line near Needles) to MP 227.32 (Courtwright Road) | R17-6-406; R17-6-408 | | | Over 12' - 16' = F/R | |
| State Route 95 | MP 227.32 (Courtwright Road) to MP 249.80 (Junction SR 68) | R17-6-405; R17-6-406; R17-6-408; R17-6-409 | | | Over 14' - 16' = F/R | |
| State Route 96 | MP 0.00 (Bagdad) to MP 4.01 (Junction SR 97) | R17-6-406; R17-6-408 | | | Over 10' - 14' = F/R Over 14' - 16' = F/R + 2 LE | |
| State Route 96 | MP 4.01 (Junction SR 97) to MP 10.80 (Santa Maria River Bridge) | R17-6-406; R17-6-408 | | | Over 10' - 14' = F/R Over 14' - 16' = F/R + 2 LE | |
| State Route 96 | MP 10.80 (Santa Maria River Bridge - Structure 225) | R17-6-406; R17-6-408 | | | Over 10' - 14' = F/R Over 14' - 16' = F/R + 2 LE | Class A permitted vehicles with a gross weight of: 100,000 or less - no additional restrictions; 100,001 through 150,000 - drivers shall: Coordinate road closures by or under the direction of law enforcement; and Cross on center of bridge at a constant speed of no more than 10 mph while on bridge. Class C permits and special analysis and approval from the ADOT Bridge Group are required for vehicles with a gross weight of 150,001 or more. |
| State Route 96 | MP 10.80 (Santa Maria River Bridge) to MP 21.92 (Town of Hillside) | R17-6-406; R17-6-408 | | | Over 10' - 14' = F/R Over 14' - 16' = F/R + 2 LE | |
| State Route 97 | MP 155.52 (Junction US 93) to MP 166.97 (Junction SR 96) | R17-6-406; R17-6-408 | | | Over 12' - 14' = F/R Over 14' - 16' = F/R + 2 LE | |
| State Route 98 | MP 294.67 (Junction US 89) to MP 361.39 (Electrical wire near Junction US 160) | R17-6-406; R17-6-408 | | | Over 14' - 16' = F/R | |
| State Route 98 | MP 361.39 (Electrical wire near Junction US 160) | R17-6-406; R17-6-408 | 16' 6" | | Over 14' - 16' = F/R | |

Department of Transportation – Oversize and Overweight Special Permits

| Route | Restriction Location (MP = Milepost) | Transport Subject to: | Height | Length | Width | Weight (in lbs) |
|-----------------------------------------------------------------------------------------------------------------------------|-------------------------------------------------------------------------------------|-------------------------------------------------------|--------|--------|-----------------------------------------------------|------------------------------------------------------------------------------------------------------------------------------------------------------------------------------------------------------------------------------------------------------------------------------------------------------------------------------------------------------------------------------------------------------------------------------------------------|
| Escort requirements: F = front escort, R = rear escort, F/R = front and rear escort, and LE = law enforcement escort | | | | | | |
| State Route 98 | MP 361.39 (Electrical wire near Junction US 160) to MP 361.56 (Junction US 160) | R17-6-406; R17-6-408 | | | Over 14' - 16' = F/R | |
| State Route 99 | MP 27.5 (Beginning of route south of Winslow) to MP 38.19 (Clear Creek Arch Bridge) | R17-6-406; R17-6-408 | | | Over 14' - 16' = F/R + 2 LE | |
| State Route 99 | MP 38.19 (Clear Creek Arch Bridge - Structure 1038) | R17-6-406; R17-6-408 | | | Over 14' - 16' = F/R + 2 LE | Legal weight as provided under R17-6-102, Table 1. |
| State Route 99 | MP 38.19 (Clear Creek Arch Bridge) to MP 38.90 (Jacks Canyon Bridge) | R17-6-406; R17-6-408 | | | Over 14' - 16' = F/R + 2 LE | |
| State Route 99 | MP 38.90 (Jacks Canyon Bridge - Structure 1036) | R17-6-406; R17-6-408 | | | Over 14' - 16' = F/R + 2 LE | Legal weight as provided under R17-6-102, Table 1. |
| State Route 99 | MP 38.90 (Jacks Canyon Bridge) to MP 42.65 (Junction SR 87) | R17-6-406; R17-6-408 | | | Over 14' - 16' = F/R + 2 LE | |
| State Route 99 | MP 52.69 (Junction I-40) to MP 72.16 (Route end at BIA 15) | R17-6-406; R17-6-408 | | | Over 14' - 16' = F/R + 2 LE | |
| State Route 101 | MP 1.21 (Junction I-10, near 99th Avenue) to MP 61.33 (Junction SR 202) | R17-6-404; R17-6-405; R17-6-406; R17-6-408; R17-6-409 | | | Over 14' - 16' = R | |
| State Route 143 | MP 0.00 (Junction I-10) to MP 3.81 (McDowell Road) | R17-6-404; R17-6-405; R17-6-406; R17-6-408; R17-6-409 | | | Over 14' - 16' = R | |
| State Route 169 | MP 0.00 (Junction SR 69) to MP 15.10 (Junction I-17) | R17-6-406; R17-6-408 | | | Over 14' - 16' = F/R | |
| State Route 177 | MP 136.31 (Junction SR 77) to MP 167.64 (Junction US 60) | R17-6-406; R17-6-408 | | | Over 12' - 14' = F/R Over 14' - 16' = F/R + 2 LE | |
| State Route 179 | MP 298.95 (Junction I-17) to MP 298.95 (Sedona Road Overpass) | R17-6-406; R17-6-408 | | | Over 12' - 16' = F/R | |
| State Route 179 | MP 298.95 (Sedona Road Overpass - Structures 633 & 1061) | R17-6-406; R17-6-408 | 14' 2" | | Over 12' - 16' = F/R | |
| State Route 179 | MP 298.95 (Sedona Road Overpass) to MP 313.44 (Junction SR 89A) | R17-6-406; R17-6-408 | | | Over 12' - 16' = F/R | |
| State Route 180A | MP 343.10 (Junction US 180) to MP 353.00 (Junction SR 61) | R17-6-406; R17-6-408 | | | Over 14' requires class C permit | |
| State Route 181 | MP 38.25 (Junction US 191) to MP 61.08 (Junction SR 186) | R17-6-406; R17-6-408 | | | Over 12' - 14' = F/R Over 14' - 16' = F/R + 2 LE | |
| State Route 181 | MP 61.08 (Junction SR 186) to MP 65.04 (Chiricahua National Monument) | R17-6-406; R17-6-408 | | | Over 12' - 14' = F/R Over 14' - 16' = F/R + 2 LE | |
| State Route 186 | MP 326.19 (Junction I-10 in Willcox) to MP 359.42 (Junction SR 181) | R17-6-406; R17-6-408 | | | Over 10' - 14' = F/R Over 14' - 16' = F/R + 2 LE | |
| State Route 187 | MP 186.77 (Junction SR 387) to MP 192.19 (Junction SR 87) | R17-6-406; R17-6-408 | | | Over 14' - 16' = F/R | |
| State Route 188 | MP 214.92 (Junction US 60) to MP 229.58 (Junction SR 288) | R17-6-406; R17-6-408 | | | Over 14' - 16' = F/R | |
| State Route 188 | MP 229.58 (Junction SR 288) to MP 244.15 (Junction SR 88) | R17-6-406; R17-6-408 | | | Over 14' - 16' = F/R | |
| State Route 188 | MP 244.15 (Junction SR 88) to MP 244.28 (Roosevelt Lake Bridge) | R17-6-406; R17-6-408 | | | Over 14' - 16' = F/R | |
| State Route 188 | MP 244.28 (Roosevelt Lake Bridge - Structure 2028) | R17-6-406; R17-6-408 | | | Over 14' - 16' = F/R + 2 LE | Class A permitted vehicles with a gross weight of: 150,000 or less - no additional restrictions; 150,001 through 250,000 - drivers shall: Coordinate road closures by or under the direction of law enforcement; and Cross on center of bridge at a constant speed of no more than 10 mph while on bridge. Class C permitted vehicles with a gross weight of over 250,000 require special analysis and approval from the ADOT Bridge Group. |

Department of Transportation – Oversize and Overweight Special Permits

| Route | Restriction Location (MP = Milepost) | Transport Subject to: | Height | Length | Width | Weight (in lbs) |
|-----------------------------------------------------------------------------------------------------------------------------|------------------------------------------------------------------------------|-------------------------------------------------------|--------|-------------------|-----------------------------------------------------|-----------------|
| Escort requirements: F = front escort, R = rear escort, F/R = front and rear escort, and LE = law enforcement escort | | | | | | |
| State Route 188 | MP 244.28 (Roosevelt Lake Bridge) to MP 250.00 (Rock Creek) | R17-6-406; R17-6-408 | | | Over 14' - 16' = F/R | |
| State Route 188 | MP 250.00 (Rock Creek) to MP 260.00 (South of Punkin Center) | R17-6-406; R17-6-408 | | | Over 14' - 16' = F/R | |
| State Route 188 | MP 260.00 (South of Punkin Center) to MP 276.78 (Junction SR 87) | R17-6-406; R17-6-408 | | | Over 14' - 16' = F/R | |
| State Route 189 | MP 0.00 (US/Mexico Border) to MP 2.88 (Junction I-19) | R17-6-406; R17-6-408 | | | Over 14' - 16' = F/R | |
| State Route 189 | MP 2.88 (Junction I-19) to MP 3.75 (Junction SB 19) | R17-6-406; R17-6-408 | | | Over 14' - 16' = F/R | |
| State Route 195 | MP 2.50 (Begin route at Avenue E 1/2) to MP 24.39 (Junction I-8) | R17-6-406; R17-6-408 | | | Over 14' - 16' = F/R | |
| State Route 202 | MP 0.00 (Junctions I-10 and SR 51) to MP 9.80 (Junction SR 101) | R17-6-404; R17-6-405; R17-6-406; R17-6-408; R17-6-409 | | | Over 14' - 16' = R | |
| State Route 202 | MP 9.80 (Junction SR 101) to MP 57.24 (Junction I-10) | R17-6-404; R17-6-405; R17-6-406; R17-6-408; R17-6-409 | | | Over 14' - 16' = R | |
| State Route 238 | MP 24.00 to MP 44.25 (Junction SR 347) | R17-6-406; R17-6-408 | | | Over 14' - 16' = F/R | |
| State Route 260 | MP 206.40 (Junction SR 89A) to MP 218.60 (Junction I-17) | R17-6-406; R17-6-408 | | | Over 14' - 16' = F/R | |
| State Route 260 | MP 218.60 (Junction I-17) to MP 252.00 (Junction SR 87) | R17-6-406; R17-6-408 | | | Over 14' - 16' = F/R | |
| State Route 260 | MP 252.00 (Junction SR 87 in Payson) to MP 256.00 (Star Valley) | R17-6-405; R17-6-406; R17-6-408; R17-6-409 | | | Over 14' - 16' = F/R | |
| State Route 260 | MP 256.00 (Star Valley) to MP 305.67 (Junction SR 277) | R17-6-406; R17-6-407; R17-6-408 | | | Over 12' - 14' = F/R Over 14' - 16' = F/R + 2 LE | |
| State Route 260 | MP 305.67 (Junction SR 277) to MP 340.07 (Junction US 60 in Show Low) | R17-6-406; R17-6-408 | | | Over 12' - 14' = F/R Over 14' - 16' = F/R + 2 LE | |
| State Route 260 | MP 341.68 (Junction US 60 in East Show Low) to MP 357.72 (Junction SR 73) | R17-6-406; R17-6-408 | | | Over 14' - 16' = F/R | |
| State Route 260 | MP 357.72 (Junction SR 73) to MP 368.60 (Junction SR 473, Hawley Lake Road) | R17-6-406; R17-6-408 | | 80'+ requires F/R | Over 12' - 16' = F/R | |
| State Route 260 | MP 368.60 (Junction SR 473, Hawley Lake Road) to MP 377.44 (Junction SR 273) | R17-6-406; R17-6-408 | | 80'+ requires F/R | Over 12' - 16' = F/R | |
| State Route 260 | MP 377.44 (Junction SR 273) to MP 385.56 (Junction SR 373, Greer) | R17-6-406; R17-6-408 | | 80'+ requires F/R | Over 12' - 16' = F/R | |
| State Route 260 | MP 385.56 (Junction SR 373, Greer) to MP 393.01 (Junction SR 261, Big Lake) | R17-6-406; R17-6-408 | | 80'+ requires F/R | Over 12' - 16' = F/R | |
| State Route 260 | MP 393.01 (Junction SR 261, Big Lake) to MP 398.67 (Junction US 180) | R17-6-406; R17-6-408 | | 80'+ requires F/R | Over 12' - 16' = F/R | |
| State Route 261 | MP 394.37 (Junction SR 273) to MP 412.50 (Junction SR 260) | R17-6-406; R17-6-408; Seasonal Road Closure | | | Over 8' requires class C permit | |
| State Route 264 | MP 321.97 (Junction US 160) to MP 384.23 (Junction SR 87) | R17-6-406; R17-6-408 | | | Over 12' - 14' = F/R Over 14' - 16' = F/R + 2 LE | |
| State Route 264 | MP 384.23 (Junction SR 87) to MP 441.02 (Junction US 191) | R17-6-406; R17-6-408 | | | Over 12' - 14' = F/R Over 14' - 16' = F/R + 2 LE | |
| State Route 264 | MP 441.02 (Junction US 191) to MP 446.87 (Junction US 191) | R17-6-406; R17-6-408 | | | Over 12' - 14' = F/R Over 14' - 16' = F/R + 2 LE | |
| State Route 264 | MP 446.87 (Junction US 191) to MP 476.12 (New Mexico State Line) | R17-6-406; R17-6-408 | | | Over 12' - 16' = F/R | |
| State Route 266 | MP 104.60 (Junction US 191) to MP 123.80 (Bonita) | R17-6-406; R17-6-408 | | | Over 12' - 16' = F/R | |

Department of Transportation – Oversize and Overweight Special Permits

| Route | Restriction Location (MP = Milepost) | Transport Subject to: | Height | Length | Width | Weight (in lbs) |
|-----------------------------------------------------------------------------------------------------------------------------|-----------------------------------------------------------------------|---------------------------------------------|--------|----------------------------------|----------------------------------------------------------|----------------------------------------------------|
| Escort requirements: F = front escort, R = rear escort, F/R = front and rear escort, and LE = law enforcement escort | | | | | | |
| State Route 273 | MP 377.46 (Junction SR 260) to MP 396.83 (Big Lake Turnoff) | R17-6-406; R17-6-408; Seasonal Road Closure | | | Over 14' - 16' = F/R | |
| State Route 277 | MP 305.67 (Junction SR 260) to MP 312.62 (Junction SR 377) | R17-6-406; R17-6-408 | | | Over 12' - 14' = F/R Over 14' - 16' = F/R + 2 LE | |
| State Route 277 | MP 312.62 (Junction SR 377) to MP 321.20 (Junction SR 277 Spur) | R17-6-406; R17-6-408 | | | Over 12' - 14' = F/R Over 14' - 16' = F/R + 2 LE | |
| State Route 277 | MP 321.20 (Junction SR 277 Spur) to MP 336.45 (Junction SR 77) | R17-6-406; R17-6-408 | | | Over 12' - 14' = F/R Over 14' - 16' = F/R + 2 LE | |
| State Route 286 | MP 0.00 (US/Mexico Border) to MP 45.48 (Junction SR 86) | R17-6-406; R17-6-408 | | | Over 12' - 14' = F/R Over 14' - 16' = F/R + 2 LE | |
| State Route 287 | MP 111.72 (Junction SR 387) to MP 115.84 (Junction I-10) | R17-6-406; R17-6-408 | | | Over 14' - 16' = F/R | |
| State Route 287 | MP 115.84 (Junction I-10) to MP 125.81 (Junction SR 87) | R17-6-406; R17-6-408 | | | Over 14' - 16' = F/R | |
| State Route 287 | MP 134.75 (Junction SR 87) to MP 142.96 (Junction SB 79) | R17-6-406; R17-6-408 | | | Over 14' - 16' = F/R | |
| State Route 288 | MP 258.10 (Junction SR 188) to MP 262.44 (Salt River Bridge) | R17-6-406; R17-6-408 | | 70'+ requires F/R | Over 8' requires class C permit | |
| State Route 288 | MP 262.44 (Salt River Bridge - Structure 37) | R17-6-406; R17-6-408 | 12' | 70'+ requires F/R | Over 8' requires class C permit | Legal weight as provided under R17-6-102, Table 1. |
| State Route 288 | MP 262.44 (Salt River Bridge) to MP 311.90 (Route end near Young) | R17-6-406; R17-6-408 | | 70'+ requires F/R | Over 8' requires class C permit | |
| State Route 289 | MP 0.00 (Junction I-19) to MP 10.83 (Route end) | R17-6-406; R17-6-408 | | | Over 10' - 14' = F/R Over 14' - 16' = F/R + 2 LE | |
| State Route 303 | MP 103.87 (Junction I-10) to MP 119.28 (Junction US 60, Grand Avenue) | R17-6-406; R17-6-408 | | | Over 14' - 16' = F/R + 2 LE | |
| State Route 303 | MP 119.28 (Junction US 60, Grand Avenue) to MP 139.27 (Junction I-17) | R17-6-406; R17-6-408 | | | Over 14' - 16' = F/R + 2 LE | |
| State Route 347 | MP 160.89 (Junction SR 84) to MP 174.55 (Junction SR 238) | R17-6-405; R17-6-406; R17-6-408; R17-6-409 | | | Over 14' - 16' = F/R | |
| State Route 347 | MP 174.55 (Junction SR 238) to MP 189.31 (Junction I-10) | R17-6-405; R17-6-406; R17-6-408; R17-6-409 | | | Over 14' - 16' = F/R | |
| State Route 366 | MP 113.69 (Junction US 191) to MP 143.20 (Route end) | R17-6-406; R17-6-408; Seasonal Road Closure | | Over 40' requires class C permit | Over 8' requires class C permit | |
| State Route 373 | MP 385.65 (Junction SR 260) to MP 390.21 (End of route at Greer) | R17-6-406; R17-6-408 | | 80'+ requires F/R | Over 12' - 16' = F/R | |
| State Route 377 | MP 0.00 (Junction SR 277) to MP 33.83 (Junction SR 77) | R17-6-406; R17-6-408 | | | Over 12' - 14' = F/R Over 14' - 16' = F/R + 2 LE | |
| State Route 386 | MP 0.00 (Junction SR 86) to MP 12.05 (Kitt Peak) | R17-6-406; R17-6-408 | | | Over 10' - 14' = F/R Over 14' - 16' = F/R + 2 LE | |
| State Route 387 | MP 0.00 (Junctions SR 84 and SR 287) to MP 8.42 (Junction I-10) | R17-6-406; R17-6-408 | | | Over 14' - 16' = F/R | |
| State Route 387 | MP 8.42 (Junction I-10) to MP 15.72 (Junction SR 87) | R17-6-406; R17-6-408 | | | Over 14' - 16' = F/R | |
| State Route 389 | MP 0.00 (Utah State Line) to MP 32.60 (Junction US 89A) | R17-6-406; R17-6-408 | | | Over 14' - 16' = F/R | |
| State Route 473 | MP 0.00 (Junction SR 260) to MP 10.03 (Route end at Hawley Lake) | R17-6-406; R17-6-408; Seasonal Road Closure | | 60'+ requires F/R | Over 10' - 14' = F/R Over 14' requires class C permit | 20,000 |
| State Route 564 | MP 374.28 (Junction US 160) to MP 383.46 (Route end) | R17-6-406; R17-6-408 | | | Over 12' - 14' = F/R Over 14' requires class C permit | |
| State Route 587 | MP 218.74 (Junction SR 87) to MP 225.14 (Junction I-10) | R17-6-406; R17-6-408 | | | Over 14' - 16' = F/R | |
| U.S. Highway 60 | MP 31.20 (Junction I-10) to MP 49.52 (Junction SR 72) | R17-6-406; R17-6-408 | | | Over 14' - 16' = F/R | |
| U.S. Highway 60 | MP 49.52 (Junction SR 72) to MP 85.91 (Junction SR 71) | R17-6-406; R17-6-408 | | | Over 14' - 16' = F/R | |

Department of Transportation – Oversize and Overweight Special Permits

| Route | Restriction Location (MP = Milepost) | Transport Subject to: | Height | Length | Width | Weight (in lbs) |
|-----------------------------------------------------------------------------------------------------------------------------|-------------------------------------------------------------------------------|-------------------------------------------------------|---------|--------|----------------------|-----------------|
| Escort requirements: F = front escort, R = rear escort, F/R = front and rear escort, and LE = law enforcement escort | | | | | | |
| U.S. Highway 60 | MP 85.91 (Junction SR 71) to MP 107.7 (Vulture Mine Road) | R17-6-406; R17-6-408 | | | Over 14' - 16' = F/R | |
| U.S. Highway 60 | MP 107.7 (Vulture Mine Road) to MP 110.24 (Washington Street) | R17-6-405; R17-6-406; R17-6-408; R17-6-409 | | | Over 14' - 16' = F/R | |
| U.S. Highway 60 | MP 110.24 Eastbound (Washington Street Underpass, Wickenburg - Structure 535) | R17-6-405; R17-6-406; R17-6-408; R17-6-409 | 13' 11" | | Over 14' - 16' = F/R | |
| U.S. Highway 60 | MP 110.24 Westbound (Washington Street Underpass, Wickenburg - Structure 535) | R17-6-405; R17-6-406; R17-6-408; R17-6-409 | 13' 7" | | Over 14' - 16' = F/R | |
| U.S. Highway 60 | MP 110.25 Eastbound (Railroad Underpass, Wickenburg - Structure 195) | R17-6-405; R17-6-406; R17-6-408; R17-6-409 | 13' 11' | | Over 14' - 16' = F/R | |
| U.S. Highway 60 | MP 110.25 Westbound (Railroad Underpass, Wickenburg - Structure 195) | R17-6-405; R17-6-406; R17-6-408; R17-6-409 | 13' 7" | | Over 14' - 16' = F/R | |
| U.S. Highway 60 | MP 110.26 Eastbound (Frontier Street Underpass, Wickenburg - Structure 1000) | R17-6-405; R17-6-406; R17-6-408; R17-6-409 | 13' 11" | | Over 14' - 16' = F/R | |
| U.S. Highway 60 | MP 110.26 Westbound (Frontier Street Underpass, Wickenburg - Structure 1000) | R17-6-405; R17-6-406; R17-6-408; R17-6-409 | 13' 7" | | Over 14' - 16' = F/R | |
| U.S. Highway 60 | MP 110.26 (Frontier Street) to MP 110.33 (Junction US 93) | R17-6-405; R17-6-406; R17-6-408; R17-6-409 | | | Over 14' - 16' = F/R | |
| U.S. Highway 60 | MP 110.33 (Junction US 93) to MP 138.48 (Junction SR 303) | R17-6-405; R17-6-406; R17-6-408; R17-6-409 | | | Over 14' - 16' = F/R | |
| U.S. Highway 60 | MP 138.48 (Junction SR 303) to MP 148.90 (Junction SR 101) | R17-6-405; R17-6-406; R17-6-408; R17-6-409 | | | Over 14' - 16' = F/R | |
| U.S. Highway 60 | MP 148.90 (Junction SR 101) to MP 160.10 (Junction I-17) | R17-6-405; R17-6-406; R17-6-408; R17-6-409 | | | Over 14' - 16' = F/R | |
| U.S. Highway 60 | MP 172.00 (Junction I-10) to MP 172.90 (Hardy Drive) | R17-6-404; R17-6-405; R17-6-406; R17-6-408; R17-6-409 | | | Over 14' - 16' = R | |
| U.S. Highway 60 | MP 172.90 Eastbound (Hardy Drive Underpass - Structure 1376) | R17-6-404; R17-6-405; R17-6-406; R17-6-408; R17-6-409 | 15' 6" | | Over 14' - 16' = R | |
| U.S. Highway 60 | MP 172.90 Westbound (Hardy Drive Underpass - Structure 1376) | R17-6-404; R17-6-405; R17-6-406; R17-6-408; R17-6-409 | 15' 3" | | Over 14' - 16' = R | |
| U.S. Highway 60 | MP 172.90 (Hardy Drive) to MP 174.41 (Rural Road TI) | R17-6-404; R17-6-405; R17-6-406; R17-6-408; R17-6-409 | | | Over 14' - 16' = R | |
| U.S. Highway 60 | MP 174.41 Eastbound (Rural Road Underpass - Structure 1660) | R17-6-404; R17-6-405; R17-6-406; R17-6-408; R17-6-409 | 15' 11" | | Over 14' - 16' = R | |
| U.S. Highway 60 | MP 174.41 (Rural Road TI) to MP 175.42 (McClintock Drive) | R17-6-404; R17-6-405; R17-6-406; R17-6-408; R17-6-409 | | | Over 14' - 16' = R | |
| U.S. Highway 60 | MP 175.42 Eastbound (McClintock Drive Underpass - Structure 1661) | R17-6-404; R17-6-405; R17-6-406; R17-6-408; R17-6-409 | 15' 10" | | Over 14' - 16' = R | |
| U.S. Highway 60 | MP 175.42 Westbound (McClintock Drive Underpass - Structure 1661) | R17-6-404; R17-6-405; R17-6-406; R17-6-408; R17-6-409 | 15' 11" | | Over 14' - 16' = R | |
| U.S. Highway 60 | MP 175.42 (McClintock Drive) to MP 176.29 (Junction SR 101) | R17-6-404; R17-6-405; R17-6-406; R17-6-408; R17-6-409 | | | Over 14' - 16' = R | |
| U.S. Highway 60 | MP 176.29 (Junction SR 101) to MP 176.49 (SB 101 Over US 60) | R17-6-404; R17-6-405; R17-6-406; R17-6-408; R17-6-409 | | | Over 14' - 16' = R | |
| U.S. Highway 60 | MP 176.49 Eastbound (SB 101 Over US 60 - Structures 1792, 1791, & 2101) | R17-6-404; R17-6-405; R17-6-406; R17-6-408; R17-6-409 | 15' 8" | | Over 14' - 16' = R | |
| U.S. Highway 60 | MP 176.49 Westbound (SB 101 Over US 60 - Structures 1792, 1791, & 2101) | R17-6-404; R17-6-405; R17-6-406; R17-6-408; R17-6-409 | 15' 9" | | Over 14' - 16' = R | |
| U.S. Highway 60 | MP 176.49 (SB 101 Over US 60) to MP 177.45 (Dobson Road) | R17-6-404; R17-6-405; R17-6-406; R17-6-408; R17-6-409 | | | Over 14' - 16' = R | |
| U.S. Highway 60 | MP 177.45 (Dobson Road Underpass - Structure 1795) | R17-6-404; R17-6-405; R17-6-406; R17-6-408; R17-6-409 | 15' 9" | | Over 14' - 16' = R | |

Department of Transportation – Oversize and Overweight Special Permits

| Route | Restriction Location (MP = Milepost) | Transport Subject to: | Height | Length | Width | Weight (in lbs) |
|-----------------------------------------------------------------------------------------------------------------------------|----------------------------------------------------------------------|-------------------------------------------------------------------------------------------------------------------------|---------|-------------------------------------------------------------------|-----------------------------------------------------|----------------------------------------------------------------------------------------------------------------------------------------------------------------------------------------------------------------------------------------------------------------------------------------------------------------------------------------------------------------------------------------------------------------------------------------------------------|
| Escort requirements: F = front escort, R = rear escort, F/R = front and rear escort, and LE = law enforcement escort | | | | | | |
| U.S. Highway 60 | MP 177.45 (Dobson Road) to MP 184.39 (Val Vista Drive TI) | R17-6-404; R17-6-405; R17-6-406; R17-6-408; R17-6-409 | | | Over 14' - 16' = R | |
| U.S. Highway 60 | MP 184.39 (Val Vista Drive Underpass - Structure 1883) | R17-6-404; R17-6-405; R17-6-406; R17-6-408; R17-6-409 | 15' 10" | | Over 14' - 16' = R | |
| U.S. Highway 60 | MP 184.39 (Val Vista Drive TI) to MP 184.77 (39th Street) | R17-6-404; R17-6-405; R17-6-406; R17-6-408; R17-6-409 | | | Over 14' - 16' = R | |
| U.S. Highway 60 | MP 184.77 (39th Street Underpass - Structure 1918) | R17-6-404; R17-6-405; R17-6-406; R17-6-408; R17-6-409 | 15' 11" | | Over 14' - 16' = R | |
| U.S. Highway 60 | MP 184.77 (39th Street) to MP 188.38 (Power Road) | R17-6-404; R17-6-405; R17-6-406; R17-6-408; R17-6-409 | | | Over 14' - 16' = R | |
| U.S. Highway 60 | MP 188.38 (Power Road Underpass - Structure 1924) | R17-6-404; R17-6-405; R17-6-406; R17-6-408; R17-6-409 | 15' 9" | | Over 14' - 16' = R | |
| U.S. Highway 60 | MP 188.38 (Power Road) to MP 190.51 (Junction SR 202) | R17-6-404; R17-6-405; R17-6-406; R17-6-408; R17-6-409 | | | Over 14' - 16' = R | |
| U.S. Highway 60 | MP 190.51 (Junction SR 202) to MP 194.38 (Meridian Road) | R17-6-405; R17-6-406; R17-6-408; R17-6-409 | | | Over 14' - 16' = R | |
| U.S. Highway 60 | MP 194.38 (Meridian Road Underpass - Structure 1438) | R17-6-405; R17-6-406; R17-6-408; R17-6-409 | 15' 9" | | Over 14' - 16' = R | |
| U.S. Highway 60 | MP 194.38 (Meridian Road) to MP 196.14 (Junction SR 88, Idaho Road) | R17-6-405; R17-6-406; R17-6-408; R17-6-409 | | | Over 14' - 16' = R | |
| U.S. Highway 60 | MP 196.14 (Junction SR 88, Idaho Road) to MP 212.17 (Junction SR 79) | R17-6-405; R17-6-406; R17-6-408; R17-6-409 | | | Over 14' - 16' = F/R | |
| U.S. Highway 60 | MP 212.17 (Junction SR 79) to MP 226.87 (Junction SR 177) | R17-6-405; R17-6-406; R17-6-407; R17-6-408; R17-6-409 | | | Over 14' - 16' = F/R | |
| U.S. Highway 60 | MP 226.87 (Junction SR 177) to MP 227.71 (Queen Creek Bridge) | R17-6-406; R17-6-407; R17-6-408 | | 80' + unarticulated requires F/R; 110' + articulated requires F/R | Over 10' - 14' = F/R Over 14' - 16' = F/R + 2 LE | |
| U.S. Highway 60 | MP 227.71 (Queen Creek Bridge - Structure 406) | R17-6-406; R17-6-407; R17-6-408 | | 80' + unarticulated requires F/R; 110' + articulated requires F/R | Over 10' - 14' = F/R Over 14' - 16' = F/R + 2 LE | Class A permitted vehicles with a gross weight of 100,000 or less - no additional restrictions; 100,001 through 150,000 - drivers shall: Coordinate road closures by or under the direction of law enforcement; and Cross on center of bridge at a constant speed of no more than 10 mph while on bridge. Class C permits and special analysis and approval from the ADOT Bridge Group are required for vehicles with a gross weight of 150,001 or more. |
| U.S. Highway 60 | MP 227.71 (Queen Creek Bridge) to MP 228.47 (Queen Creek Tunnel) | R17-6-406; R17-6-407; R17-6-408 | | 80' + unarticulated requires F/R; 110' + articulated requires F/R | Over 11' - 14' = F/R Over 14' - 16' = F/R + 2 LE | |
| U.S. Highway 60 | MP 228.47 (Queen Creek Tunnel - Structure 407) | R17-6-406; R17-6-407; R17-6-408; * Loads 14' to 20' in height require F/R + 2 LE and shall drive in center of tunnel | 14' * | 80' + unarticulated requires F/R; 110' + articulated requires F/R | Over 11' - 14' = F/R Over 14' - 16' = F/R + 2 LE | |
| U.S. Highway 60 | MP 228.47 (Queen Creek Tunnel) to MP 238.25 (Pinto Creek Bridge) | R17-6-406; R17-6-407; R17-6-408 | | 80' + unarticulated requires F/R; 110' + articulated requires F/R | Over 11' - 14' = F/R Over 14' - 16' = F/R + 2 LE | |

Department of Transportation – Oversize and Overweight Special Permits

| Route | Restriction Location (MP = Milepost) | Transport Subject to: | Height | Length | Width | Weight (in lbs) |
|-----------------------------------------------------------------------------------------------------------------------------|---------------------------------------------------------------|---------------------------------|--------|-----------------------------------------------------------------|-----------------------------------------------------|-----------------------------------------------------------------------------------------------------------------------------------------------------------------------------------------------------------------------------------------------------------------------------------------------------------------------------------------------------------------------------------------------------------------------------------------------------------|
| Escort requirements: F = front escort, R = rear escort, F/R = front and rear escort, and LE = law enforcement escort | | | | | | |
| U.S. Highway 60 | MP 238.25 (Pinto Creek Bridge - Structure 351) | R17-6-406; R17-6-407; R17-6-408 | | 80'+ unarticulated requires F/R; 110'+ articulated requires F/R | Over 11' - 14' = F/R Over 14' - 16' = F/R + 2 LE | Class A permitted vehicles with a gross weight of: 100,000 or less - no additional restrictions; 100,001 through 150,000 - drivers shall: Coordinate road closures by or under the direction of law enforcement; and Cross on center of bridge at a constant speed of no more than 10 mph while on bridge. Class C permits and special analysis and approval from the ADOT Bridge Group are required for vehicles with a gross weight of 150,001 or more. |
| U.S. Highway 60 | MP 238.25 (Pinto Creek Bridge) to MP 247.04 (Junction SR 188) | R17-6-406; R17-6-407; R17-6-408 | | 80'+ unarticulated requires F/R; 110'+ articulated requires F/R | Over 11' - 14' = F/R Over 14' - 16' = F/R + 2 LE | |
| U.S. Highway 60 | MP 247.04 (Junction SR 188) to MP 252.06 (Junction US 70) | R17-6-406; R17-6-407; R17-6-408 | | 80'+ unarticulated requires F/R; 110'+ articulated requires F/R | Over 11' - 14' = F/R Over 14' - 16' = F/R + 2 LE | |
| U.S. Highway 60 | MP 252.06 (Junction US 70) to MP 292.91 (Apache Bridge) | R17-6-406; R17-6-408 | | 80'+ unarticulated requires F/R; 110'+ articulated requires F/R | Over 12' - 14' = F/R Over 14' Prohibited | |
| U.S. Highway 60 | MP 292.91 (Apache Bridge - Structure 1929) | R17-6-406; R17-6-408 | | 80'+ unarticulated requires F/R; 110'+ articulated requires F/R | Over 12' - 14' = F/R + 2 LE Over 14' Prohibited | Class A permitted vehicles with a gross weight of: 150,000 or less - no additional restrictions; 150,001 through 250,000 - drivers shall: Coordinate road closures by or under the direction of law enforcement; and Cross on center of bridge at a constant speed of no more than 10 mph while on bridge. Class C permitted vehicles with a gross weight of over 250,000 require special analysis and approval from the ADOT Bridge Group. |
| U.S. Highway 60 | MP 292.91 (Apache Bridge) to MP 318.14 (Junction SR 73) | R17-6-406; R17-6-408 | | 80'+ unarticulated requires F/R; 110'+ articulated requires F/R | Over 12' - 14' = F/R Over 14' Prohibited | |
| U.S. Highway 60 | MP 318.14 (Junction SR 73) to MP 323.44 (Cedar Canyon Bridge) | R17-6-406; R17-6-408 | | 80'+ unarticulated requires F/R; 110'+ articulated requires F/R | Over 12' - 14' = F/R Over 14' - 16' = F/R + 2 LE | |

Department of Transportation – Oversize and Overweight Special Permits

| Route | Restriction Location (MP = Milepost) | Transport Subject to: | Height | Length | Width | Weight (in lbs) |
|-----------------------------------------------------------------------------------------------------------------------------|------------------------------------------------------------------|-----------------------|--------|-----------------------------------------------------------------|-----------------------------------------------------|-----------------------------------------------------------------------------------------------------------------------------------------------------------------------------------------------------------------------------------------------------------------------------------------------------------------------------------------------------------------------------------------------------------------------------------------------------------|
| Escort requirements: F = front escort, R = rear escort, F/R = front and rear escort, and LE = law enforcement escort | | | | | | |
| U.S. Highway 60 | MP 323.44 (Cedar Canyon Bridge - Structure 215) | R17-6-406; R17-6-408 | | 80'+ unarticulated requires F/R; 110'+ articulated requires F/R | Over 12' - 14' = F/R Over 14' - 16' = F/R + 2 LE | Class A permitted vehicles with a gross weight of: 100,000 or less - no additional restrictions; 100,001 through 150,000 - drivers shall: Coordinate road closures by or under the direction of law enforcement; and Cross on center of bridge at a constant speed of no more than 10 mph while on bridge. Class C permits and special analysis and approval from the ADOT Bridge Group are required for vehicles with a gross weight of 150,001 or more. |
| U.S. Highway 60 | MP 323.44 (Cedar Canyon Bridge) to MP 339.71 (Junction SR 260) | R17-6-406; R17-6-408 | | 80'+ unarticulated requires F/R; 110'+ articulated requires F/R | Over 12' - 14' = F/R Over 14' - 16' = F/R + 2 LE | |
| U.S. Highway 60 | MP 339.71 (Junction SR 260) to MP 341.69 (Junction SR 260) | R17-6-406; R17-6-408 | | | Over 12' - 16' = F/R | |
| U.S. Highway 60 | MP 341.69 (Junction SR 260) to MP 342.77 (Junction SR 77) | R17-6-406; R17-6-408 | | | Over 12' - 16' = F/R | |
| U.S. Highway 60 | MP 342.77 (Junction SR 77) to MP 353.16 (Junction SR 61) | R17-6-406; R17-6-408 | | | Over 12' - 16' = F/R | |
| U.S. Highway 60 | MP 353.16 (Junction SR 61) to MP 384.45 (Junction US 180) | R17-6-406; R17-6-408 | | | Over 12' - 16' = F/R | |
| U.S. Highway 60 | MP 384.45 (Junction US 180) to MP 401.97 (New Mexico State Line) | R17-6-406; R17-6-408 | | | Over 12' - 16' = F/R | |
| U.S. Highway 64 | MP 465.40 (Junction US 160) to MP 469.54 (New Mexico State Line) | R17-6-406; R17-6-408 | | | Over 14' - 16' = F/R | |
| U.S. Highway 70 | MP 252.14 (Junction US 60) to MP 253.63 (Railroad Underpass) | R17-6-406; R17-6-408 | | | Over 14' - 16' = F/R | |
| U.S. Highway 70 | MP 253.63 (Railroad Underpass - Structure 562) | R17-6-406; R17-6-408 | 15' 6" | | Over 14' - 16' = F/R | |
| U.S. Highway 70 | MP 253.63 (Railroad Underpass) to MP 254.11 (Junction SR 77) | R17-6-406; R17-6-408 | | | Over 14' - 16' = F/R | |
| U.S. Highway 70 | MP 254.11 (Junction SR 77) to MP 339.45 (Junction US 191) | R17-6-406; R17-6-408 | | | Over 14' - 16' = F/R | |
| U.S. Highway 70 | MP 339.45 (Junction US 191) to MP 349.48 (Junction US 191) | R17-6-406; R17-6-408 | | | Over 14' - 16' = F/R | |
| U.S. Highway 70 | MP 349.48 (Junction US 191) to MP 378.90 (Junction SR 75) | R17-6-406; R17-6-408 | | | Over 14' - 16' = F/R | |
| U.S. Highway 70 | MP 378.90 (Junction SR 75) to MP 385.25 (New Mexico State Line) | R17-6-406; R17-6-408 | | | Over 14' - 16' = F/R | |
| U.S. Highway 89 | MP 401.00 (Junction I-40) to MP 403.18 (Junction SB 40) | R17-6-406; R17-6-408 | | | Over 14' - 16' = F/R | |
| U.S. Highway 89 | MP 418.59 (Junction SB 40) to MP 465.21 (Junction SR 64) | R17-6-406; R17-6-408 | | | Over 14' - 16' = F/R | |
| U.S. Highway 89 | MP 465.21 (Junction SR 64) to MP 466.88 (Cameron Bridge) | R17-6-406; R17-6-408 | | | Over 14' - 16' = F/R | |

| Route | Restriction Location (MP = Milepost) | Transport Subject to: | Height | Length | Width | Weight (in lbs) |
|-----------------------------------------------------------------------------------------------------------------------------|--------------------------------------------------------------------------------|-----------------------|--------|--------|-----------------------------------------------------|-----------------------------------------------------------------------------------------------------------------------------------------------------------------------------------------------------------------------------------------------------------------------------------------------------------------------------------------------------------------------------------------------------------------------------------------------------------|
| Escort requirements: F = front escort, R = rear escort, F/R = front and rear escort, and LE = law enforcement escort | | | | | | |
| U.S. Highway 89 | MP 466.88 (Cameron Bridge - Structure 532) | R17-6-406; R17-6-408 | | | Over 14' - 16' = F/R + 2 LE | Class A permitted vehicles with a gross weight of: 100,000 or less - no additional restrictions; 100,001 through 150,000 - drivers shall: Coordinate road closures by or under the direction of law enforcement; and Cross on center of bridge at a constant speed of no more than 10 mph while on bridge. Class C permits and special analysis and approval from the ADOT Bridge Group are required for vehicles with a gross weight of 150,001 or more. |
| U.S. Highway 89 | MP 466.88 (Cameron Bridge) to MP 480.80 (Junction US 160) | R17-6-406; R17-6-408 | | | Over 14' - 16' = F/R | |
| U.S. Highway 89 | MP 480.80 (Junction US 160) to MP 524.01 (Junction US 89A) | R17-6-406; R17-6-408 | | | Over 14' - 16' = F/R | |
| U.S. Highway 89 | MP 524.01 (Junction US 89A) to MP 546.20 (Junction SR 98) | R17-6-406; R17-6-408 | | | Over 14' - 16' = F/R | |
| U.S. Highway 89 | MP 546.20 (Junction SR 98) to MP 549.54 (Glen Canyon Bridge) | R17-6-406; R17-6-408 | | | Over 14' - 16' = F/R | |
| U.S. Highway 89 | MP 549.54 (Glen Canyon Bridge - Structure 537) | R17-6-406; R17-6-408 | | | Over 14' - 16' = F/R + 2 LE | Class A permitted vehicles with a gross weight of: 150,000 or less - no additional restrictions; 150,001 through 250,000 - drivers shall: Coordinate road closures by or under the direction of law enforcement; and Cross on center of bridge at a constant speed of no more than 10 mph while on bridge. Class C permitted vehicles with a gross weight of over 250,000 require special analysis and approval from the ADOT Bridge Group. |
| U.S. Highway 89 | MP 549.54 (Glen Canyon Bridge) to MP 556.99 (Utah State Line) | R17-6-406; R17-6-408 | | | Over 14' - 16' = F/R | |
| U.S. Highway 89A | MP 524.07 (Junction US 89) to MP 537.86 (Navajo Bridge at Colorado River) | R17-6-406; R17-6-408 | | | Over 10' - 14' = F/R Over 14' - 16' = F/R + 2 LE | |
| U.S. Highway 89A | MP 537.86 (Navajo Bridge at Colorado River - Structure 2340) | R17-6-406; R17-6-408 | | | Over 10' - 14' = F/R Over 14' - 16' = F/R + 2 LE | Class A permitted vehicles with a gross weight of: 150,000 or less - no additional restrictions; 150,001 through 250,000 - drivers shall: Coordinate road closures by or under the direction of law enforcement; and Cross on center of bridge at a constant speed of no more than 10 mph while on bridge. Class C permitted vehicles with a gross weight of over 250,000 require special analysis and approval from the ADOT Bridge Group. |
| U.S. Highway 89A | MP 537.86 (Navajo Bridge at Colorado River) to MP 547.00 (Cliffdwellers Lodge) | R17-6-406; R17-6-408 | | | Over 10' - 14' = F/R Over 14' - 16' = F/R + 2 LE | |
| U.S. Highway 89A | MP 547.00 (Cliffdwellers Lodge) to MP 579.30 (Junction SR 67) | R17-6-406; R17-6-408 | | | Over 8' 6" requires class C permit | |
| U.S. Highway 89A | MP 579.30 (Junction SR 67) to MP 609.23 (Junction SR 389) | R17-6-406; R17-6-408 | | | Over 12' - 16' = F/R | |
| U.S. Highway 89A | MP 609.23 (Junction SR 389) to MP 613.03 (Utah State Line) | R17-6-406; R17-6-408 | | | Over 12' - 16' = F/R | |

Department of Transportation – Oversize and Overweight Special Permits

| Route | Restriction Location (MP = Milepost) | Transport Subject to: | Height | Length | Width | Weight (in lbs) |
|-----------------------------------------------------------------------------------------------------------------------------|----------------------------------------------------------------------------------|-------------------------------------------------------|--------|--------|-----------------------------|------------------------------------------------------------------------------------------------------------------------------------------------------------------------------------------------------------------------------------------------------------------------------------------------------------------------------------------------------------------------------------------------------------------------------------------------|
| Escort requirements: F = front escort, R = rear escort, F/R = front and rear escort, and LE = law enforcement escort | | | | | | |
| U.S. Highway 93 | MP 0.00 (Hoover Dam Bypass) to MP 67.20 (Junction SR 68) | R17-6-405; R17-6-406; R17-6-408; R17-6-409 | | | Over 14' - 16' = F/R | Nevada issues permit for Mike O'Callaghan – Pat Tillman Memorial Bridge (Colorado River Bridge). |
| U.S. Highway 93 | MP 67.20 (Junction SR 68) to MP 71.10 (Junction I-40, Exit # 48) | R17-6-405; R17-6-406; R17-6-408; R17-6-409 | | | Over 14' - 16' = F/R | |
| U.S. Highway 93 | MP 91.38 (Junction I-40, Exit # 71) to MP 139.07 Southbound (Burro Creek Bridge) | R17-6-406; R17-6-407; R17-6-408 | | | Over 14' - 16' = F/R + 2 LE | |
| U.S. Highway 93 | MP 139.07 Southbound (Burro Creek Bridge - Structure 846) | R17-6-406; R17-6-407; R17-6-408 | | | Over 14' - 16' = F/R + 2 LE | Class A permitted vehicles with a gross weight of: 150,000 or less - no additional restrictions; 150,001 through 250,000 - drivers shall: Coordinate road closures by or under the direction of law enforcement; and Cross on center of bridge at a constant speed of no more than 10 mph while on bridge. Class C permitted vehicles with a gross weight of over 250,000 require special analysis and approval from the ADOT Bridge Group. |
| U.S. Highway 93 | MP 139.07 Southbound (Burro Creek Bridge) to MP 154.85 (Junction SR 97) | R17-6-406; R17-6-407; R17-6-408 | | | Over 14' - 16' = F/R + 2 LE | |
| U.S. Highway 93 | MP 154.85 (Junction SR 97) to MP 182.90 (Junction SR 71) | R17-6-406; R17-6-407; R17-6-408 | | | Over 14' - 16' = F/R + 2 LE | |
| U.S. Highway 93 | MP 182.90 (Junction SR 71) to MP 193.61 (Junction SR 89) | R17-6-406; R17-6-407; R17-6-408 | | | Over 14' - 16' = F/R + 2 LE | |
| U.S. Highway 93 | MP 193.61 (Junction SR 89) to MP 199.67 (Junction US 60 in Wickenburg) | R17-6-406; R17-6-407; R17-6-408 | | | Over 14' - 16' = F/R + 2 LE | |
| U.S. Highway 95 | MP 0.00 (US/Mexico Border) to MP 19.84 (32nd Street East) | R17-6-406; R17-6-408 | | | Over 14' - 16' = F/R | |
| U.S. Highway 95 | MP 19.84 (32nd Street East) to MP 24.35 (Junction I-8) | R17-6-404; R17-6-405; R17-6-406; R17-6-408; R17-6-409 | | | Over 14' - 16' = F/R | |
| U.S. Highway 95 | MP 24.35 (Junction I-8) to MP 31.87 (Avenue 9E) | R17-6-404; R17-6-405; R17-6-406; R17-6-408; R17-6-409 | | | Over 14' - 16' = F/R | |
| U.S. Highway 95 | MP 31.87 (Avenue 9E) to MP 104.25 (Junction I-10) | R17-6-406; R17-6-408 | | | Over 14' - 16' = F/R | |
| U.S. Highway 95 | MP 104.25 (Junction I-10) to MP 104.51 (SB 10 in Quartzsite) | R17-6-406; R17-6-408 | | | Over 14' - 16' = F/R | |
| U.S. Highway 160 | MP 311.46 (Junction US 89) to MP 321.86 (Junction SR 264) | R17-6-406; R17-6-408 | | | Over 14' - 16' = F/R | |
| U.S. Highway 160 | MP 321.86 (Junction SR 264) to MP 361.61 (Junction SR 98) | R17-6-406; R17-6-408 | | | Over 14' - 16' = F/R | |
| U.S. Highway 160 | MP 361.61 (Junction SR 98) to MP 374.28 (Junction SR 564) | R17-6-406; R17-6-408 | | | Over 14' - 16' = F/R | |
| U.S. Highway 160 | MP 374.28 (Junction SR 564) to MP 393.57 (Junction US 163) | R17-6-406; R17-6-408 | | | Over 14' - 16' = F/R | |
| U.S. Highway 160 | MP 393.57 (Junction US 163) to MP 434.87 (Junction US 191) | R17-6-406; R17-6-408 | | | Over 14' - 16' = F/R | |
| U.S. Highway 160 | MP 434.87 (Junction US 191) to MP 437.22 (Junction US 191; BIA 12) | R17-6-406; R17-6-408 | | | Over 14' - 16' = F/R | |
| U.S. Highway 160 | MP 437.22 (Junction US 191; BIA 12) to MP 465.40 (Junction US 64) | R17-6-406; R17-6-408 | | | Over 14' - 16' = F/R | |
| U.S. Highway 160 | MP 465.40 (Junction US 64) to MP 470.73 (New Mexico State Line) | R17-6-406; R17-6-408 | | | Over 14' - 16' = F/R | |
| U.S. Highway 163 | MP 393.52 (Junction US 160) to MP 396.16 (Laguna Wash Bridge) | R17-6-406; R17-6-408 | | | Over 12' - 16' = F/R | |

Department of Transportation – Oversize and Overweight Special Permits

| Route | Restriction Location (MP = Milepost) | Transport Subject to: | Height | Length | Width | Weight (in lbs) |
|-----------------------------------------------------------------------------------------------------------------------------|----------------------------------------------------------------------------------------|-----------------------|--------|----------------------------------|---------------------------------|-----------------------------------------------------------------------------------------------------------------------------------------------------------------------------------------------------------------------------------------------------------------------------------------------------------------------------------------------------------------------------------------------------------------------------------------------------------|
| Escort requirements: F = front escort, R = rear escort, F/R = front and rear escort, and LE = law enforcement escort | | | | | | |
| U.S. Highway 163 | MP 396.16 (Laguna Wash Bridge - Structure 25) | R17-6-406; R17-6-408 | | | Over 12' - 16' = F/R + 2 LE | Class A permitted vehicles with a gross weight of: 100,000 or less - no additional restrictions; 100,001 through 150,000 - drivers shall: Coordinate road closures by or under the direction of law enforcement; and Cross on center of bridge at a constant speed of no more than 10 mph while on bridge. Class C permits and special analysis and approval from the ADOT Bridge Group are required for vehicles with a gross weight of 150,001 or more. |
| U.S. Highway 163 | MP 396.16 (Laguna Wash Bridge) to MP 416.71 (Utah State Line) | R17-6-406; R17-6-408 | | | Over 12' - 16' = F/R | |
| U.S. Highway 180 | MP 215.44 (Junction SB 40) to MP 265.82 (Junction SR 64) | R17-6-406; R17-6-408 | | | Over 12' - 16' = F/R | |
| U.S. Highway 180 | MP 307.30 (Junction SR 77) to MP 343.13 (Junction SR 180A) | R17-6-406; R17-6-408 | | | Over 12' - 16' = F/R | |
| U.S. Highway 180 | MP 343.13 (Junction SR 180A) to MP 358.44 (Junction SR 61) | R17-6-406; R17-6-408 | | | Over 12' - 16' = F/R | |
| U.S. Highway 180 | MP 358.44 (Junction SR 61) to MP 368.92 (Junction US 191) | R17-6-406; R17-6-408 | | | Over 12' - 16' = F/R | |
| U.S. Highway 180 | MP 368.92 (Junction US 191) to MP 394.36 (Junction US 60) | R17-6-406; R17-6-408 | | | Over 12' - 16' = F/R | |
| U.S. Highway 180 | MP 400.61 (Junction US 60) to MP 426.33 (Junction US 191) | R17-6-406; R17-6-408 | | | Over 12' - 16' = F/R | |
| U.S. Highway 180 | MP 426.33 (Junction US 191) to MP 433.26 (New Mexico State Line) | R17-6-406; R17-6-408 | | | Over 12' - 16' = F/R | |
| U.S. Highway 191 | MP 0.00 (Junction SR 80) to MP 38.12 (Junction SR 181) | R17-6-406; R17-6-408 | | | Over 14' - 16' = F/R | |
| U.S. Highway 191 | MP 38.12 (Junction SR 181) to MP 66.55 (Junction I-10) | R17-6-406; R17-6-408 | | | Over 14' - 16' = F/R | |
| U.S. Highway 191 | MP 87.43 (Junction I-10) to MP 104.38 (Junction SR 266) | R17-6-406; R17-6-408 | | | Over 14' - 16' = F/R | |
| U.S. Highway 191 | MP 104.38 (Junction SR 266) to MP 113.69 (Junction SR 366) | R17-6-406; R17-6-408 | | | Over 14' - 16' = F/R | |
| U.S. Highway 191 | MP 113.69 (Junction SR 366) to MP 121.02 (Junction US 70) | R17-6-406; R17-6-408 | | | Over 14' - 16' = F/R | |
| U.S. Highway 191 | MP 130.60 (Junction US 70) to MP 154.90 Southbound (Cold Creek Bridge) | R17-6-406; R17-6-408 | | | Over 14' - 16' = F/R | |
| U.S. Highway 191 | MP 154.90 Southbound (Cold Creek Bridge - Structure 258) | R17-6-406; R17-6-408 | | | Over 14' - 16' = F/R | |
| U.S. Highway 191 | MP 154.90 Southbound (Cold Creek Bridge) to MP 163.95 (Temporary US 191, Clifton) | R17-6-406; R17-6-408 | | | Over 14' - 16' = F/R | |
| U.S. Highway 191 | MP 179.36 (Junction at end of Temporary US 191) to MP 215.41 (Forest Service Route 25) | R17-6-406; R17-6-408 | | Over 40' requires class C permit | Over 8' requires class C permit | |
| U.S. Highway 191 | MP 215.41 (Forest Service Route 25) to MP 253.74 (Junction US 180, Alpine) | R17-6-406; R17-6-408 | | | Over 8' requires class C permit | |
| U.S. Highway 191 | MP 315.55 (Junction US 180 in St Johns) to MP 344.49 (Junction SR 61) | R17-6-406; R17-6-408 | | | Over 14' - 16' = F/R | |
| U.S. Highway 191 | MP 344.49 (Junction SR 61) to MP 368.47 (Railroad Overpass, Sanders) | R17-6-406; R17-6-408 | | | Over 14' - 16' = F/R | |
| U.S. Highway 191 | MP 368.47 (Railroad Overpass, Sanders - Structure 346) | R17-6-406; R17-6-408 | | | Over 14' - 16' = F/R | Legal weight as provided under R17-6-102, Table 1. |
| U.S. Highway 191 | MP 368.47 (Railroad Overpass, Sanders) to MP 368.50 (Junction I-40 in Sanders) | R17-6-406; R17-6-408 | | | Over 14' - 16' = F/R | |
| U.S. Highway 191 | MP 374.00 (Junction I-40) to MP 411.63 (Junction SR 264, Ganado) | R17-6-406; R17-6-408 | | | Over 12' - 16' = F/R | |

Department of Transportation – Oversize and Overweight Special Permits

| Route | Restriction Location (MP = Milepost) | Transport Subject to: | Height | Length | Width | Weight (in lbs) |
|-----------------------------------------------------------------------------------------------------------------------------|---------------------------------------------------------------------------------|-----------------------|--------|--------|---------------------------------|-----------------------------------------------------------------------------------------------------------------------------------------------------------------------------------------------------------------------------------------------------------------------------------------------------------------------------------------------------------------------------------------------------------------------------------------------------------|
| Escort requirements: F = front escort, R = rear escort, F/R = front and rear escort, and LE = law enforcement escort | | | | | | |
| U.S. Highway 191 | MP 417.55 (Junction SR 264) to MP 510.34 (Junction US 160) | R17-6-406; R17-6-408 | | | Over 12' - 16' = F/R | |
| U.S. Highway 191 Temp (UX 191) | MP 163.95 (Temporary US 191, Clifton) to MP 169.00 (Phelps Dodge Mine entrance) | R17-6-406; R17-6-408 | | | Over 8' requires class C permit | |
| U.S. Highway 191 Temp (UX 191) | MP 169.00 (Phelps Dodge Mine entrance) to MP 169.20 (Phelps Dodge Viaduct) | R17-6-406; R17-6-408 | | | Over 8' requires class C permit | |
| U.S. Highway 191 Temp (UX 191) | MP 169.20 (Phelps Dodge Viaduct - Structure 1631) | R17-6-406; R17-6-408 | | | Over 8' requires class C permit | Class A permitted vehicles with a gross weight of: 100,000 or less - no additional restrictions; 100,001 through 150,000 - drivers shall: Coordinate road closures by or under the direction of law enforcement; and Cross on center of bridge at a constant speed of no more than 10 mph while on bridge. Class C permits and special analysis and approval from the ADOT Bridge Group are required for vehicles with a gross weight of 150,001 or more. |
| U.S. Highway 191 Temp (UX 191) | MP 169.20 (Phelps Dodge Viaduct) to MP 169.30 (Railroad Underpass) | R17-6-406; R17-6-408 | | | Over 8' requires class C permit | |
| U.S. Highway 191 Temp (UX 191) | MP 169.30 (Railroad Underpass - Structure 1632) | R17-6-406; R17-6-408 | 15' | | Over 8' requires class C permit | |
| U.S. Highway 191 Temp (UX 191) | MP 169.30 (Railroad Underpass) to MP 169.39 (Rock Tunnel) | R17-6-406; R17-6-408 | | | Over 8' requires class C permit | |
| U.S. Highway 191 Temp (UX 191) | MP 169.39 (Rock Tunnel - Structure 1633) | R17-6-406; R17-6-408 | 12' 6" | | Over 8' requires class C permit | |
| U.S. Highway 191 Temp (UX 191) | MP 169.39 (Rock Tunnel) to MP 179.36 (Junction at end of Temporary US 191) | R17-6-406; R17-6-408 | | | Over 8' requires class C permit | |

Historical Note

New Table made by final rulemaking at 9 A.A.R. 665, effective April 8, 2003 (Supp. 03-1). Table amended by final rulemaking at 19 A.A.R. 2486, effective September 7, 2013 (Supp. 13-3).

R17-6-413. Page-Lake Powell Area Houseboat Transport Provisions

- A. A permit applicant shall use the procedures under this Section to apply for an extended approval class C special permit to transport a houseboat of the dimensions specified under subsection (C) on a highway listed under Table 5.
- B. A permit applicant shall apply for a permit under this Section at the following Department field office:
 Page Port of Entry
 US 89 MP 551
 P.O. Box 1807
 Page, AZ 86040
 Telephone: (928) 645-3269
 Fax: (928) 645-9360
- C. An extended approval class C special permitted vehicle with at least one front and one rear escort vehicle may operate on a highway listed under Table 5 during daylight hours as provided under R17-6-401, including any weekday, weekend, or holiday, if it does not exceed dimensions as follows:
 - 1. 16 feet 6 inches in width;
 - 2. 25 feet in height;

- 3. 120 feet in length;
- 4. 150,000 pounds; or
- 5. Axle weight limits listed in Tables 3.01 through 3.09.
- D. An extended approval class C special permitted vehicle and load that exceeds 17 feet in height shall have a front escort with a height pole.
- E. For an extended approval class C special permitted vehicle and load that exceeds 14 feet in width, a permittee shall ensure an appropriate level of traffic control at the Glen Canyon Bridge on US 89 by closing access to the bridge at each end and at the visitor center driveway.
- F. If a permit applicant seeks to transport outside the requirements of this Section, the permit applicant shall apply for a class C special permit according to the procedures provided under R17-6-204.

Historical Note

New Section made by final rulemaking at 9 A.A.R. 4648, effective October 8, 2003 (Supp. 03-4). Amended by final rulemaking at 19 A.A.R. 2486, effective September 7, 2013 (Supp. 13-3).

Table 5. Page-Lake Powell Area Highways

| Route | Location (MP = Milepost) |
|-----------------|---------------------------------------------------------------------------------------------|
| State Route 98 | MP 299.50 (Junction BIA 22, Antelope Canyon); to MP 294.67 (End of route at Junction US 89) |
| U.S. Highway 89 | MP 546.19 (Junction SR 98); to MP 556.99 (Utah State Line) |

Historical Note

New Table made by final rulemaking at 9 A.A.R. 4648, effective October 8, 2003 (Supp. 03-4). Table amended by final rulemaking at 19 A.A.R. 2486, effective September 7, 2013 (Supp. 13-3).

R17-6-414. Lake-specific Weekend and Holiday Transport Exception

A permittee or driver that transports a personal watercraft load of no more than 12 feet in width under a class A special permit may operate from one-half hour before sunrise to one-half hour after sunset on a weekend or holiday on a state highway within 10 miles of an area constructed and maintained for the purpose of launching and retrieving watercraft for the following Arizona lakes:

1. Alamo,
2. Havasu,
3. Mead,
4. Mohave,
5. Powell, and
6. Saguaro.

Historical Note

Section R17-6-414 renumbered from R17-6-407 and amended by final rulemaking at 19 A.A.R. 2486, effective September 7, 2013 (Supp. 13-3).

R17-6-415. Reserved

R17-6-415. Emergency Expired

Historical Note

New Section made by emergency rulemaking at 19 A.A.R. 928, approved by the Attorney General April 24, 2013, effective for 180 days (Supp. 13-2). Emergency Expired (Supp. 13-3).

ARTICLE 5. ENVELOPE PERMIT SPECIAL PROVISIONS

Article 5, consisting of Sections R17-6-501 through R17-6-505, made by final rulemaking at 9 A.A.R. 665, effective April 8, 2003 (Supp. 03-1).

R17-6-501. Envelope Permit Required Recordkeeping

A. An envelope permit holder shall maintain in this state, for at least three years, records and other data for all vehicles operated, and cargo transported, under an envelope permit as required under A.R.S. § 28-1149. The records and other data shall include:

1. Bills of lading,
2. Shipping manifests, and
3. Time cards or invoices.

B. A record retained by an envelope permit holder under subsection (A) shall contain, at least, the following information:

1. Date of document preparation,
2. Name of shipper and name of receiver,
3. Address of load origination,
4. Address of load destination, and
5. Dates of transport.

Historical Note

New Section made by final rulemaking at 9 A.A.R. 665, effective April 8, 2003 (Supp. 03-1). Amended by final

rulemaking at 19 A.A.R. 2486, effective September 7, 2013 (Supp. 13-3).

R17-6-502. Envelope Permit Suspension Point System

The Director shall suspend an envelope permit, as prescribed under A.R.S. § 28-1147, by assigning points to the permittee for envelope permit violations as follows:

1. Minor violations - one point:
 - a. Improper or inadequate flagging as provided under R17-6-302 and R17-6-307,
 - b. Improper or inadequate lighting as provided under R17-6-304 and R17-6-307,
 - c. Improper or inadequate "OVERSIZE LOAD" signage display as provided under R17-6-303,
 - d. Use of an escort vehicle not equipped as provided under R17-6-305,
 - e. Failing to maintain proper follow-distance from another oversize or overweight vehicle or load as provided under R17-6-401, or
 - f. Exceeding permitted speed but not exceeding posted speed as provided under R17-6-402.
2. Major violations - three points:
 - a. Transporting a permitted vehicle or load on a highway restricted to certain hours of travel under R17-6-404 through R17-6-407, or R17-6-412, Table 4;
 - b. Failing to display flags or lights when required under R17-6-302, R17-6-304, or R17-6-307;
 - c. Failing to display "OVERSIZE LOAD" signage when required under R17-6-303;
 - d. Exceeding the posted speed limit; or
 - e. Transporting a reducible load under an envelope permit.
3. Weight Violations, 1-36 points:
 - a. Gross vehicle weight exceeds the maximum weight allowed under R17-6-411:
 - i. Less than 2% over allowable weight - one point,
 - ii. 2% but less than 4% over allowable weight - two points,
 - iii. 4% but less than 6% over allowable weight - three points,
 - iv. 6% but less than 9% over allowable weight - six points,
 - v. 9% but less than 12% over allowable weight - 10 points,
 - vi. 12% but less than 15% over allowable weight - 18 points, or
 - vii. 15% or more over allowable weight - 36 points.
 - b. For each axle group exceeding the maximum weight allowed under R17-6-411:
 - i. Less than 4% over allowable weight - one point,
 - ii. 4% but less than 6% over allowable weight - two points,
 - iii. 6% but less than 9% over allowable weight - four points,
 - iv. 9% but less than 12% over allowable weight - six points,
 - v. 12% but less than 15% over allowable weight - 10 points,
 - vi. 15% but less than 20% over allowable weight - 18 points, or
 - vii. 20% or more over allowable weight - 36 points.
4. Flagrant Violations - 36 points:
 - a. Transporting a permitted load on a highway during a hazardous condition restricting travel under R17-6-403 or in violation of a law enforcement agency order,
 - b. Exceeding an envelope dimension as prescribed under A.R.S. § 28-1144,
 - c. Falsifying a permit application,
 - d. Altering a permit,
 - e. Failing to pay repair costs for highway damages as prescribed under A.R.S. § 28-1107,

Department of Transportation – Oversize and Overweight Special Permits

- f. Transporting a permitted load on a restricted highway or restricted bridge,
- g. Failing to use an escort vehicle as provided under R17-6-305, or
- h. Failing to use an escort vehicle with a driver that meets the standards provided under R17-6-305.

Historical Note

New Section made by final rulemaking at 9 A.A.R. 665, effective April 8, 2003 (Supp. 03-1). Amended by final rulemaking at 19 A.A.R. 2486, effective September 7, 2013 (Supp. 13-3).

R17-6-503. Envelope Permit Suspension; Revocation; Enforcement

- A. The Director shall suspend an envelope permit for point accumulation within any 12-month period according to the following schedule:
 - 1. 14-19 points, one-week suspension;
 - 2. 20-29 points, two-week suspension;
 - 3. 30-35 points, four-week suspension; and
 - 4. More than 35 points, one-year suspension.
- B. The Director shall revoke an envelope permit as provided under A.R.S. § 28-1147 for the following reasons:
 - 1. Frequency of violation indicates a flagrant disregard for the law or the safety of the public,
 - 2. A permittee does not have an established place of business, or
 - 3. A permittee fails to maintain records as prescribed under R17-6-501 and A.R.S. § 28-1149.
- C. A permittee shall surrender the permit to the Department within 72 hours after an order of suspension or revocation is effective.
 - 1. If the permittee fails to surrender the permit within five working days of written demand, the Director shall suspend the permittee's envelope permit privileges for one year in addition to any other penalty assessed.
 - 2. The Department shall retrieve the permit if the permittee fails to return the permit within the prescribed time.
- D. The Department shall not issue an envelope permit to a permittee during the permittee's period of suspension or revocation.

Historical Note

New Section made by final rulemaking at 9 A.A.R. 665, effective April 8, 2003 (Supp. 03-1). Amended by final rulemaking at 19 A.A.R. 2486, effective September 7, 2013 (Supp. 13-3).

R17-6-504. Notice of Point Assessment, Denial, Suspension, or Revocation

- A. The Department shall send to a permittee's last known address of record notice of the following:
 - 1. Point assessment; or
 - 2. Permit denial, suspension, or revocation.
- B. The notice shall inform the permittee of:
 - 1. The right to appeal the action, and
 - 2. The procedure for requesting a hearing.
- C. Any action taken under this Section becomes effective 25 days after the Department's action notice date unless a permittee submits a timely hearing request as provided under 17 A.A.C. 1, Article 5.

Historical Note

New Section made by final rulemaking at 9 A.A.R. 665,

effective April 8, 2003 (Supp. 03-1). Amended by final rulemaking at 19 A.A.R. 2486, effective September 7, 2013 (Supp. 13-3).

R17-6-505. Envelope Permit Reapplication

- A. An envelope permit applicant denied issuance by the Department, as prescribed under A.R.S. § 28-1142, shall not reapply for an envelope permit for two years from the date of denial.
- B. An envelope permit applicant, who has previously had an envelope permit revoked by the Department under A.R.S. § 28-1147, shall not reapply for an envelope permit for two years from the date of revocation.
- C. Upon reapplication, an applicant shall show by a preponderance of evidence that the underlying cause for denial or revocation has been removed.

Historical Note

New Section made by final rulemaking at 9 A.A.R. 665, effective April 8, 2003 (Supp. 03-1). Amended by final rulemaking at 19 A.A.R. 2486, effective September 7, 2013 (Supp. 13-3).

R17-6-506. Page-Lake Powell Area Houseboat Hauling Envelope Permit

- A. An applicant requesting an envelope permit for a vehicle hauling a houseboat under A.R.S. § 28-1144(B) shall:
 - 1. Apply to the Department using the application procedure provided under R17-6-103; and
 - 2. Pay the applicable fees prescribed under R17-6-210.
- B. A permittee issued an envelope permit under this Section shall:
 - 1. Comply with all provisions applicable to the application, issuance, and maintenance of envelope permits under this Chapter;
 - 2. Notify the Department as required under A.R.S. § 28-1144(B) before transporting a houseboat authorized by the envelope permit. This notification shall include at least the following information:
 - a. The number of the authorizing envelope permit;
 - b. The date of transport;
 - c. The transport origination;
 - d. The transport destination;
 - e. The name and hull identification number of the houseboat being transported;
 - f. The overall length, height, and width of the vehicle and load combination;
 - g. The overall gross weight of the vehicle and load combination; and
 - h. The total number of axles on the vehicle and load combination;
 - 3. Notify the Department each time information submitted under subsection (B)(2) of this Section changes by submitting a new notification to the Department; and
 - 4. Complete the notifications required under subsections (B)(2) and (3) of this Section electronically through the Department's web site at www.azdot.gov.

Historical Note

New Section made by final rulemaking at 19 A.A.R. 892, effective June 1, 2013 (Supp. 13-2).